

165167-1 ACTIVE

PLASTI-GRIP

TE Internal #: 165167-1

Crimp Wire Pins, Tabs & Ferrules, Pin, Wire Pin, Crimp Wire Pin, Tab & Ferrule Pin Diameter .07 in [1.78 mm]

[View on TE.com >](#)



Terminals & Splices > Crimp Wire Pins, Tabs & Ferrules



Terminal & Splice Type: **Pin**

Crimp Wire Pin, Tab & Ferrule Terminal Type: **Wire Pin**

Crimp Wire Pin, Tab & Ferrule Pin Diameter: **1.78 mm [.07 in]**

Crimp Wire Pin, Tab & Ferrule Wire Insulation Diameter (Max): **3.71 mm [.146 in]**

Accepts Wire Insulation Diameter Range: **2.67 – 3.36 mm [.105 – .14 in]**

Features

Product Type Features

Shape Description	WIRE PIN-001
Crimp Wire Pin, Tab & Ferrule Barrel Type	Closed Barrel
Crimp Wire Pin, Tab & Ferrule Wire/Cable Type	Regular Wire
Sealable	No
Insulated	Yes
Support Style	Insulation Support

Body Features

Sleeve Material	PVC
Insulation Sleeve Material	Vinyl
Double Wire	No
Insulation Color	Red
Insulation Material	PVC
Crimp Wire Pin, Tab & Ferrule Plating Material	Copper, Tin

Contact Features

Terminal Length	9.9 mm[.39 in]
Terminal & Splice Type	Pin
Crimp Wire Pin, Tab & Ferrule Terminal Type	Wire Pin
Crimp Wire Pin, Tab & Ferrule Pin Diameter	1.78 mm[.07 in]
Pin Type	Formed



Pin Style	Round
-----------	-------

Crimp Wire Pin, Tab & Ferrule Terminal Orientation	Straight
--	----------

Termination Features

Bullet Terminal	Without
-----------------	---------

Mechanical Attachment

Wire Insulation Support	Without
-------------------------	---------

Dimensions

DIN Wire Size	.5 – 1 mm ²
---------------	------------------------

Crimp Wire Pin, Tab & Ferrule Wire Insulation Diameter (Max)	3.71 mm [.146 in]
--	-------------------

Accepts Wire Insulation Diameter Range	2.67 – 3.36 mm [.105 – .14 in]
--	--------------------------------

Wire Size	509 – 3260 CMA
-----------	----------------

Barrel Inside Diameter	3.7 mm [.145 in]
------------------------	------------------

Crimp Wire Pin, Tab & Ferrule Material Thickness	.79 mm [.031 in]
--	------------------

Crimp Wire Pin, Tab & Ferrule Overall Length	23.82 mm [.938 in]
--	--------------------

Usage Conditions

Insulation Requirement	Partially Insulated
------------------------	---------------------

Operating Temperature Range	105 °C [221 °F]
-----------------------------	-----------------

Operation/Application

Heavy Duty	No
------------	----

Packaging Features

Packaging Quantity	1000
--------------------	------

Crimp Wire Pin, Tab & Ferrule Packaging Method	Loose Piece
--	-------------

Other

Barrel Color	Red
--------------	-----

Product Compliance

[For compliance documentation, visit the product page on TE.com>](#)

EU RoHS Directive 2011/65/EU	Compliant
------------------------------	-----------

EU ELV Directive 2000/53/EC	Compliant
-----------------------------	-----------

China RoHS 2 Directive MIIT Order No 32, 2016	No Restricted Materials Above Threshold
---	---

EU REACH Regulation (EC) No. 1907/2006	Current ECHA Candidate List: JUL 2021 (219)
--	--











Candidate List Declared Against: JAN 2021
(211)
SVHC > Threshold:
Not Yet Reviewed

Halogen Content	Not Low Halogen - contains Br or Cl > 900 ppm.
Solder Process Capability	Not reviewed for solder process capability

Product Compliance Disclaimer

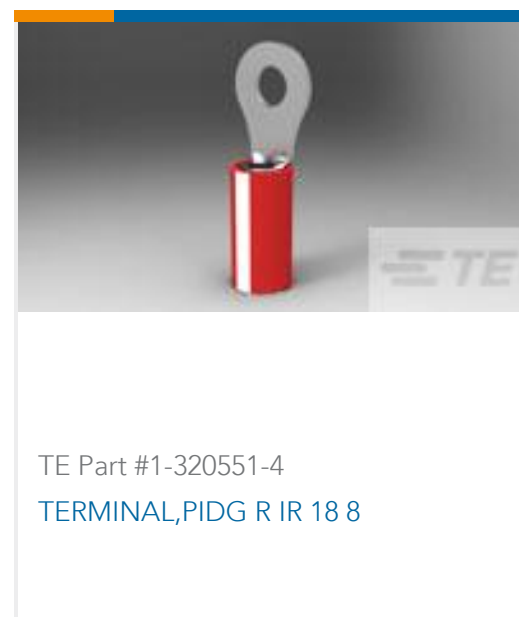
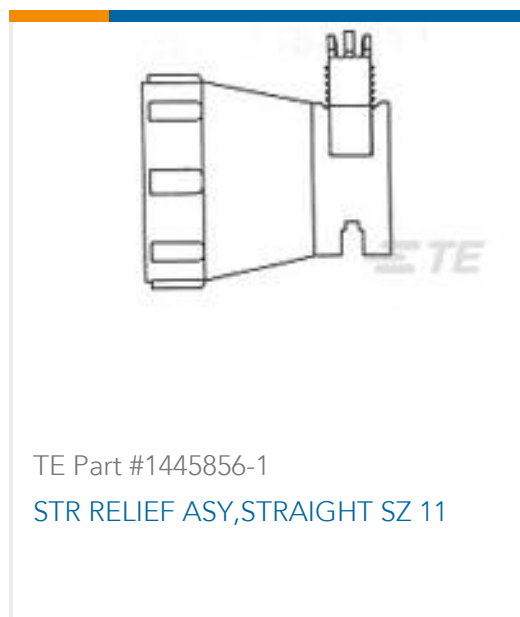
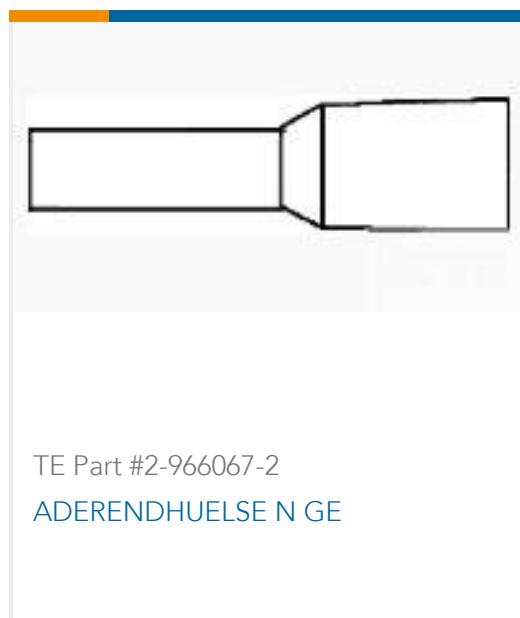
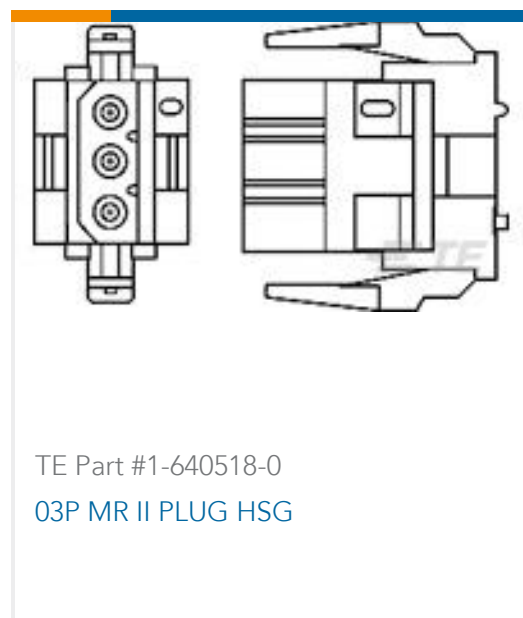
This information is provided based on reasonable inquiry of our suppliers and represents our current actual knowledge based on the information they provided. This information is subject to change. The part numbers that TE has identified as EU RoHS compliant have a maximum concentration of 0.1% by weight in homogenous materials for lead, hexavalent chromium, mercury, PBB, PBDE, DBP, BBP, DEHP, DIBP, and 0.01% for cadmium, or qualify for an exemption to these limits as defined in the Annexes of Directive 2011/65/EU (RoHS2). Finished electrical and electronic equipment products will be CE marked as required by Directive 2011/65/EU. Components may not be CE marked. Additionally, the part numbers that TE has identified as EU ELV compliant have a maximum concentration of 0.1% by weight in homogenous materials for lead, hexavalent chromium, and mercury, and 0.01% for cadmium, or qualify for an exemption to these limits as defined in the Annexes of Directive 2000/53/EC (ELV). Regarding the REACH Regulation, the information TE provides on SVHC in articles for this part number is based on the latest European Chemicals Agency (ECHA) 'Guidance on requirements for substances in articles' posted at this URL: <https://echa.europa.eu/guidance-documents/guidance-on-reach>

Compatible Parts

 <p>TE Part # 59824-1 TETRA-CRIMP PIDG PG FASTON 22-10 ASSY</p>	 <p>TE Part # 47386 DAHT PG PIDG 26-16 ASSY</p>	 <p>TE Part # 58433-3 PRO CR ASSY, RBY IS9252</p>	 <p>TE Part # 59250 T-HEAD PIDG 26-14 ASSY</p>
 <p>TE Part # 539691-2 ERGO DIE R.B.Y</p>	 <p>TE Part # 58423-1 DIE, RBY IS9252</p>	 <p>TE Part # 2063030-1 SDE DIESET, RBY, UL</p>	 <p>TE Part # 47806-2 DIES PIDG 22-16 DIE SET</p>



Customers Also Bought



Documents



Product Drawings

PG WIREPIN RED LONG

English

CAD Files

Customer View Model

[ENG_CVM_165167-1_B.3d_igs.zip](#)

English

Customer View Model

[ENG_CVM_165167-1_B.3d_stp.zip](#)

English

Customer View Model

[ENG_CVM_165167-1_B.2d_dxf.zip](#)

English

3D PDF

English

3D PDF

3D

Customer View Model

[ENG_CVM_CVM_165167-1_L.2d_dxf.zip](#)

English

Customer View Model

[ENG_CVM_CVM_165167-1_L.3d_igs.zip](#)

English

Customer View Model

[ENG_CVM_CVM_165167-1_L.3d_stp.zip](#)

English

By downloading the CAD file I accept and agree to the [Terms and Conditions](#) of use.

Datasheets & Catalog Pages

PLASTI GRIP_QRG

English

RADIATION_RESISTANT_PRE-INSULATED_TERMINALS_SPLICES

English

Standard Terminals & Splices

English

Product Specifications

Application Specification

English