

IMMERSION HEATERS FOR SMALL TANK APPLICATIONS

Style TMW-2

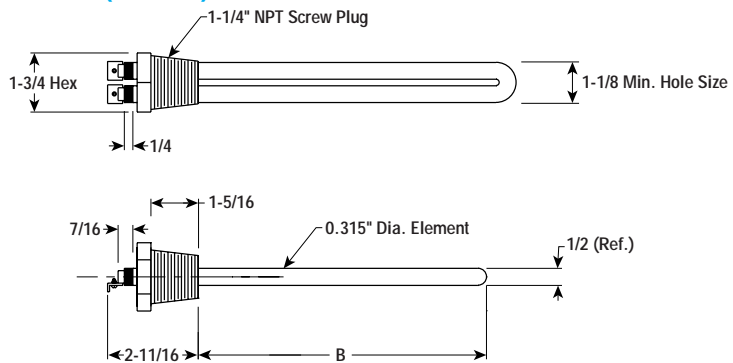
- ✓ 1 1/4" NPT Brass Screw Plug
- ✓ Copper Sheath Element
- ✓ 64 - 86 W/In²
- ✓ 750 - 5,000 Watts
- ✓ 120 and 240 Volt, Single Phase
- ✓ Without Terminal Cover
- ✓ Without Thermowell

APPLICATION

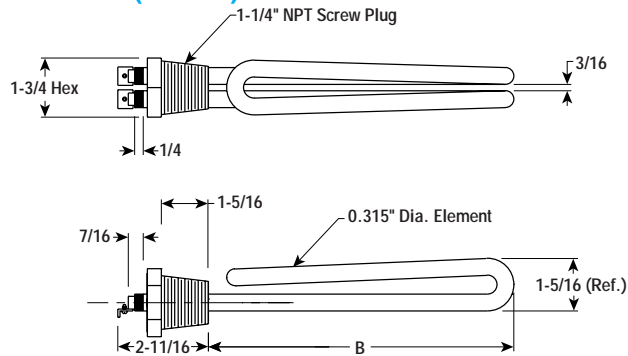
- Clean Water Heating



Dimensions (Inches)



Dimensions (Inches)



To Order (Specify Model Number)

Watts	Volts	Phase	W/In ²	DIM B (In.)	Model No.	Wt. (Lb.)
Straight Element						
750	120	1	64	6-1/8	TMW-207A/120	0.5
750	240	1	64	6-1/8	TMW-207A/240	0.5
1,000	120	1	85	6-1/8	TMW-210A/120	0.5
1,000	240	1	85	6-1/8	TMW-210A/240	0.5
1,250	120	1	82	7-7/8	TMW-212A/120	1
1,250	240	1	82	7-7/8	TMW-212A/240	1
1,500	120	1	86	9-1/16	TMW-215A/120	1.25
1,500	240	1	86	9-1/16	TMW-215A/240	1.25
Foldback Element						
2,000	120	1	85	6-5/8	TMW-220A/120	1.5
2,000	240	1	85	6-5/8	TMW-220A/240	1.5
2,500	240	1	80	8-1/2	TMW-225A/240	2
3,000	240	1	78	10-3/16	TMW-230A/240	2.25
4,000	240	1	77	13-9/16	TMW-240A/240	2.5
5,000	240	1	76	16-15/16	TMW-250A/240	3

Ordering Example: TMW-212A/120, is a 120 V, Single Phase, 1,250 Watt Heater,

F



UNITED STATES

www.omega.com
1-800-TC-OMEGA
Stamford, CT.

CANADA

www.omega.ca
Laval(Quebec)
1-800-TC-OMEGA

GERMANY

www.omega.de
Deckenpfronn, Germany
0800-8266342

UNITED KINGDOM

www.omega.co.uk
Manchester, England
0800-488-488

FRANCE

www.omega.fr
Guyancourt, France
088-466-342

CZECH REPUBLIC

www.omegaeng.cz
Karviná, Czech Republic
596-311-899

BENELUX

www.omega.nl
Amstelveen, NL
0800-099-33-44



More than 100,000 Products Available!

• Temperature

Calibrators, Connectors, General Test and Measurement Instruments, Glass Bulb Thermometers, Handheld Instruments for Temperature Measurement, Ice Point References, Indicating Labels, Crayons, Cements and Lacquers, Infrared Temperature Measurement Instruments, Recorders Relative Humidity Measurement Instruments, RTD Probes, Elements and Assemblies, Temperature & Process Meters, Timers and Counters, Temperature and Process Controllers and Power Switching Devices, Thermistor Elements, Probes and Assemblies, Thermocouples Thermowells and Head and Well Assemblies, Transmitters, Wire

• Flow and Level

Air Velocity Indicators, Doppler Flowmeters, Level Measurement, Magnetic Flowmeters, Mass Flowmeters, Pitot Tubes, Pumps, Rotameters, Turbine and Paddle Wheel Flowmeters, Ultrasonic Flowmeters, Valves, Variable Area Flowmeters, Vortex Shedding Flowmeters

• pH and Conductivity

Conductivity Instrumentation, Dissolved Oxygen Instrumentation, Environmental Instrumentation, pH Electrodes and Instruments, Water and Soil Analysis Instrumentation

• Data Acquisition

Auto-Dialers and Alarm Monitoring Systems, Communication Products and Converters, Data Acquisition and Analysis Software, Data Loggers Plug-in Cards, Signal Conditioners, USB, RS232, RS485 and Parallel Port Data Acquisition Systems, Wireless Transmitters and Receivers

• Pressure, Strain and Force

Displacement Transducers, Dynamic Measurement Force Sensors, Instrumentation for Pressure and Strain Measurements, Load Cells, Pressure Gauges, Pressure Reference Section, Pressure Switches, Pressure Transducers, Proximity Transducers, Regulators, Strain Gages, Torque Transducers, Valves

• Heaters

Band Heaters, Cartridge Heaters, Circulation Heaters, Comfort Heaters, Controllers, Meters and Switching Devices, Flexible Heaters, General Test and Measurement Instruments, Heater Hook-up Wire, Heating Cable Systems, Immersion Heaters, Process Air and Duct, Heaters, Radiant Heaters, Strip Heaters, Tubular Heaters