

RZ/G2LC SMARC Module Board RTK9744C22C01000BE

User's Manual: Hardware

Renesas Microprocessor
RZ Family / RZ/G Series

All information contained in these materials, including products and product specifications, represents information on the product at the time of publication and is subject to change by Renesas Electronics Corp. without notice. Please review the latest information published by Renesas Electronics Corp. through various means, including the Renesas Electronics Corp. website (<http://www.renesas.com>).

Notice

1. Descriptions of circuits, software and other related information in this document are provided only to illustrate the operation of semiconductor products and application examples. You are fully responsible for the incorporation or any other use of the circuits, software, and information in the design of your product or system. Renesas Electronics disclaims any and all liability for any losses and damages incurred by you or third parties arising from the use of these circuits, software, or information.
2. Renesas Electronics hereby expressly disclaims any warranties against and liability for infringement or any other claims involving patents, copyrights, or other intellectual property rights of third parties, by or arising from the use of Renesas Electronics products or technical information described in this document, including but not limited to, the product data, drawings, charts, programs, algorithms, and application examples.
3. No license, express, implied or otherwise, is granted hereby under any patents, copyrights or other intellectual property rights of Renesas Electronics or others.
4. You shall be responsible for determining what licenses are required from any third parties, and obtaining such licenses for the lawful import, export, manufacture, sales, utilization, distribution or other disposal of any products incorporating Renesas Electronics products, if required.
5. You shall not alter, modify, copy, or reverse engineer any Renesas Electronics product, whether in whole or in part. Renesas Electronics disclaims any and all liability for any losses or damages incurred by you or third parties arising from such alteration, modification, copying or reverse engineering.
6. Renesas Electronics products are classified according to the following two quality grades: "Standard" and "High Quality". The intended applications for each Renesas Electronics product depends on the product's quality grade, as indicated below.
"Standard": Computers; office equipment; communications equipment; test and measurement equipment; audio and visual equipment; home electronic appliances; machine tools; personal electronic equipment; industrial robots; etc.
"High Quality": Transportation equipment (automobiles, trains, ships, etc.); traffic control (traffic lights); large-scale communication equipment; key financial terminal systems; safety control equipment; etc.
Unless expressly designated as a high reliability product or a product for harsh environments in a Renesas Electronics data sheet or other Renesas Electronics document, Renesas Electronics products are not intended or authorized for use in products or systems that may pose a direct threat to human life or bodily injury (artificial life support devices or systems; surgical implantations; etc.), or may cause serious property damage (space system; undersea repeaters; nuclear power control systems; aircraft control systems; key plant systems; military equipment; etc.). Renesas Electronics disclaims any and all liability for any damages or losses incurred by you or any third parties arising from the use of any Renesas Electronics product that is inconsistent with any Renesas Electronics data sheet, user's manual or other Renesas Electronics document.
7. No semiconductor product is absolutely secure. Notwithstanding any security measures or features that may be implemented in Renesas Electronics hardware or software products, Renesas Electronics shall have absolutely no liability arising out of any vulnerability or security breach, including but not limited to any unauthorized access to or use of a Renesas Electronics product or a system that uses a Renesas Electronics product. RENESAS ELECTRONICS DOES NOT WARRANT OR GUARANTEE THAT RENESAS ELECTRONICS PRODUCTS, OR ANY SYSTEMS CREATED USING RENESAS ELECTRONICS PRODUCTS WILL BE INVULNERABLE OR FREE FROM CORRUPTION, ATTACK, VIRUSES, INTERFERENCE, HACKING, DATA LOSS OR THEFT, OR OTHER SECURITY INTRUSION ("Vulnerability Issues"). RENESAS ELECTRONICS DISCLAIMS ANY AND ALL RESPONSIBILITY OR LIABILITY ARISING FROM OR RELATED TO ANY VULNERABILITY ISSUES. FURTHERMORE, TO THE EXTENT PERMITTED BY APPLICABLE LAW, RENESAS ELECTRONICS DISCLAIMS ANY AND ALL WARRANTIES, EXPRESS OR IMPLIED, WITH RESPECT TO THIS DOCUMENT AND ANY RELATED OR ACCOMPANYING SOFTWARE OR HARDWARE, INCLUDING BUT NOT LIMITED TO THE IMPLIED WARRANTIES OF MERCHANTABILITY, OR FITNESS FOR A PARTICULAR PURPOSE.
8. When using Renesas Electronics products, refer to the latest product information (data sheets, user's manuals, application notes, "General Notes for Handling and Using Semiconductor Devices" in the reliability handbook, etc.), and ensure that usage conditions are within the ranges specified by Renesas Electronics with respect to maximum ratings, operating power supply voltage range, heat dissipation characteristics, installation, etc. Renesas Electronics disclaims any and all liability for any malfunctions, failure or accident arising out of the use of Renesas Electronics products outside of such specified ranges.
9. Although Renesas Electronics endeavors to improve the quality and reliability of Renesas Electronics products, semiconductor products have specific characteristics, such as the occurrence of failure at a certain rate and malfunctions under certain use conditions. Unless designated as a high reliability product or a product for harsh environments in a Renesas Electronics data sheet or other Renesas Electronics document, Renesas Electronics products are not subject to radiation resistance design. You are responsible for implementing safety measures to guard against the possibility of bodily injury, injury or damage caused by fire, and/or danger to the public in the event of a failure or malfunction of Renesas Electronics products, such as safety design for hardware and software, including but not limited to redundancy, fire control and malfunction prevention, appropriate treatment for aging degradation or any other appropriate measures. Because the evaluation of microcomputer software alone is very difficult and impractical, you are responsible for evaluating the safety of the final products or systems manufactured by you.
10. Please contact a Renesas Electronics sales office for details as to environmental matters such as the environmental compatibility of each Renesas Electronics product. You are responsible for carefully and sufficiently investigating applicable laws and regulations that regulate the inclusion or use of controlled substances, including without limitation, the EU RoHS Directive, and using Renesas Electronics products in compliance with all these applicable laws and regulations. Renesas Electronics disclaims any and all liability for damages or losses occurring as a result of your noncompliance with applicable laws and regulations.
11. Renesas Electronics products and technologies shall not be used for or incorporated into any products or systems whose manufacture, use, or sale is prohibited under any applicable domestic or foreign laws or regulations. You shall comply with any applicable export control laws and regulations promulgated and administered by the governments of any countries asserting jurisdiction over the parties or transactions.
12. It is the responsibility of the buyer or distributor of Renesas Electronics products, or any other party who distributes, disposes of, or otherwise sells or transfers the product to a third party, to notify such third party in advance of the contents and conditions set forth in this document.
13. This document shall not be reprinted, reproduced or duplicated in any form, in whole or in part, without prior written consent of Renesas Electronics.
14. Please contact a Renesas Electronics sales office if you have any questions regarding the information contained in this document or Renesas Electronics products.

(Note1) "Renesas Electronics" as used in this document means Renesas Electronics Corporation and also includes its directly or indirectly controlled subsidiaries.

(Note2) "Renesas Electronics product(s)" means any product developed or manufactured by or for Renesas Electronics.

(Rev.5.0-1 October 2020)

Corporate Headquarters

TOYOSU FORESIA, 3-2-24 Toyosu,
Koto-ku, Tokyo 135-0061, Japan

www.renesas.com

Trademarks

Renesas and the Renesas logo are trademarks of Renesas Electronics Corporation. All trademarks and registered trademarks are the property of their respective owners.

Contact information

For further information on a product, technology, the most up-to-date version of a document, or your nearest sales office, please visit:.

www.renesas.com/contact/

Trademarks (continued)

For the “Cortex” notation, it is used as follows;

- Arm® Cortex®-A55
- Arm® Cortex®-M33

Note that after this page, they may be noted as Cortex-A55 and Cortex-M33 respectively.

Examples of trademark or registered trademark used in the RZ/G2LC SMARC Module Board RTK9744C22C01000BE User's Manual: Hardware;

CoreSight™: CoreSight is a trademark of Arm Limited.

MIPI®: MIPI is a registered trademark of MIPI Alliance, Inc.

eMMC™: eMMC is a trademark of MultiMediaCard Association.

Note that in each section of the Manual, trademark notation of ® and TM may be omitted.

All other trademarks and registered trademarks are the property of their respective owners.

General Precautions in the Handling of Microprocessing Unit and Microcontroller Unit Products

The following usage notes are applicable to all Microprocessing unit and Microcontroller unit products from Renesas. For detailed usage notes on the products covered by this document, refer to the relevant sections of the document as well as any technical updates that have been issued for the products.

1. Precaution against Electrostatic Discharge (ESD)

A strong electrical field, when exposed to a CMOS device, can cause destruction of the gate oxide and ultimately degrade the device operation. Steps must be taken to stop the generation of static electricity as much as possible, and quickly dissipate it when it occurs. Environmental control must be adequate. When it is dry, a humidifier should be used. This is recommended to avoid using insulators that can easily build up static electricity. Semiconductor devices must be stored and transported in an anti-static container, static shielding bag or conductive material. All test and measurement tools including work benches and floors must be grounded. The operator must also be grounded using a wrist strap. Semiconductor devices must not be touched with bare hands. Similar precautions must be taken for printed circuit boards with mounted semiconductor devices.

2. Processing at power-on

The state of the product is undefined at the time when power is supplied. The states of internal circuits in the LSI are indeterminate and the states of register settings and pins are undefined at the time when power is supplied. In a finished product where the reset signal is applied to the external reset pin, the states of pins are not guaranteed from the time when power is supplied until the reset process is completed. In a similar way, the states of pins in a product that is reset by an on-chip power-on reset function are not guaranteed from the time when power is supplied until the power reaches the level at which resetting is specified.

3. Input of signal during power-off state

Do not input signals or an I/O pull-up power supply while the device is powered off. The current injection that results from input of such a signal or I/O pull-up power supply may cause malfunction and the abnormal current that passes in the device at this time may cause degradation of internal elements. Follow the guideline for input signal during power-off state as described in your product documentation.

4. Handling of unused pins

Handle unused pins in accordance with the directions given under handling of unused pins in the manual. The input pins of CMOS products are generally in the high-impedance state. In operation with an unused pin in the open-circuit state, extra electromagnetic noise is induced in the vicinity of the LSI, an associated shoot-through current flows internally, and malfunctions occur due to the false recognition of the pin state as an input signal become possible.

5. Clock signals

After applying a reset, only release the reset line after the operating clock signal becomes stable. When switching the clock signal during program execution, wait until the target clock signal is stabilized. When the clock signal is generated with an external resonator or from an external oscillator during a reset, ensure that the reset line is only released after full stabilization of the clock signal. Additionally, when switching to a clock signal produced with an external resonator or by an external oscillator while program execution is in progress, wait until the target clock signal is stable.

6. Voltage application waveform at input pin

Waveform distortion due to input noise or a reflected wave may cause malfunction. If the input of the CMOS device stays in the area between V_{IL} (Max.) and V_{IH} (Min.) due to noise, for example, the device may malfunction. Take care to prevent chattering noise from entering the device when the input level is fixed, and also in the transition period when the input level passes through the area between V_{IL} (Max.) and V_{IH} (Min.).

7. Prohibition of access to reserved addresses

Access to reserved addresses is prohibited. The reserved addresses are provided for possible future expansion of functions. Do not access these addresses as the correct operation of the LSI is not guaranteed.

8. Differences between products

Before changing from one product to another, for example to a product with a different part number, confirm that the change will not lead to problems. The characteristics of a microprocessing unit or microcontroller unit products in the same group but having a different part number might differ in terms of internal memory capacity, layout pattern, and other factors, which can affect the ranges of electrical characteristics, such as characteristic values, operating margins, immunity to noise, and amount of radiated noise. When changing to a product with a different part number, implement a system-evaluation test for the given product.

Table of Contents

1. Overview	7
1.1 Overview	7
1.2 Configuration	8
1.3 Features	9
1.4 Outside View	10
1.5 Block Diagram	12
1.6 Layout Components	13
1.7 Absolute Maximum Ratings	16
1.8 Operating Condition	16
2. Functional Specifications	17
2.1 Overview of Functions	17
2.2 MPU	18
2.2.1 Overview of RZ/G2LC	18
2.2.2 List of RZ/G2LC Functions	18
2.3 Memory	35
2.3.1 QSPI Flash Memory	35
2.3.2 DDR4 SDRAM	36
2.4 Gigabit Ethernet Interface	37
2.5 Clock Configuration	38
2.6 Reset Control	39
2.7 Power Supply Configuration	40
2.8 PMIC	42
2.9 Debug Interface	43
2.10 SD/MMC Host Interface	44
2.10.1 eMMC Memory	44
2.10.2 SD Card	45
3. Operation Specifications	46
3.1 Overview of Connectors	46
3.1.1 ADC Connector (CN1)	47
3.1.2 JTAG Connector (CN2)	48
3.1.3 MicroSD Card Slot (CN3)	49
3.1.4 SMARC edge Connector (CN4)	50
3.2 Layout of Operation Components	51
3.2.1 Functions of Switches and Mode Terminals	52

REVISION HISTORY 54

1. Overview

1.1 Overview

This document describes the specification of RTK9744C22C01000BE which is a Module board to evaluate the functions and performance of the Renesas Electronics microprocessor RZ/G2LC “R9A07G044C22GBG” and evaluate application software programs

The RTK9744C22C01000BE complies with the SMARC v2.1 and has following features.

- It is mounted with the following external memories.
 - DDR4 SDRAM: 1GB × 1pc
 - QSPI flash memory: 512Mb × 1pc
 - eMMC memory: 64GB × 1pc
- The microSD card slot is implemented and used as an eSD for boot.
- It is implemented a 5-output clock generator “5P35023”.
- It is implemented a PMIC “RAA215300” as power supply circuit.
- The Ethernet PHY is implemented as standard and can send/receive data at 10/100/1000Mbps.
- Terminals not used on this board are connected to the 314-pin 0.5-mm pitch connector, which can be used in conjunction with a Carrier Board. It also allows for the development of the Carrier Board that meet the needs of development.
- The 10-pin pin header for ARM Cortex Debug is implemented for connection to debug interface.

1.2 Configuration

Figure 1.1 shows an example of system configuration using RTK9744C22C01000BE.

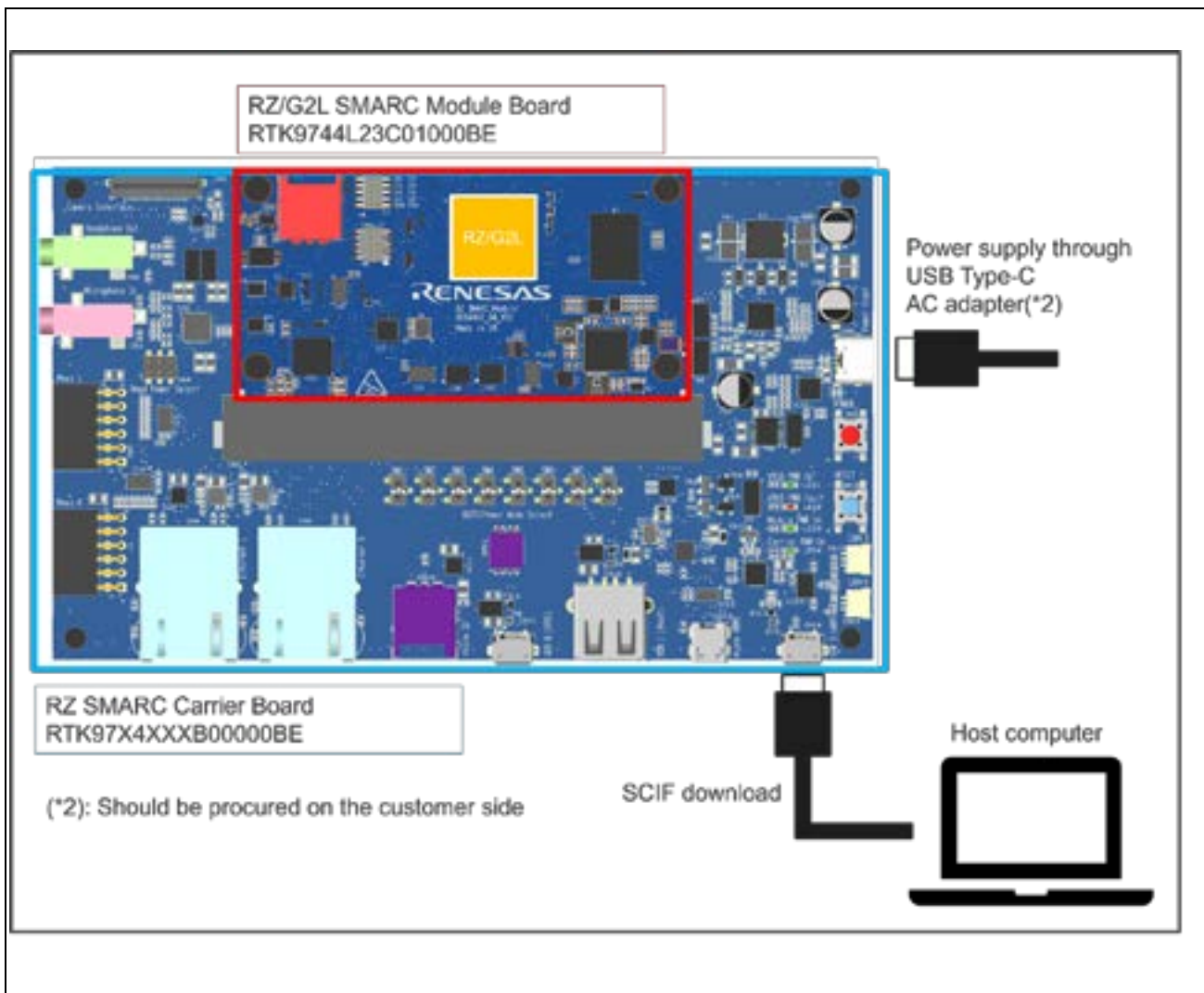


Figure 1.1 Example of System Configuration Using RTK9744C22C01000BE

NOTE

The above example uses RTK944L23C01000BE (RZ/G2L SMARC Module Board).

1.3 Features

Table 1.1 shows the features of RTK9744C22C01000BE.

Table 1.1 Features of RTK9744C22C01000BE

Item	Details
CPU	RZ/G2LC Input (Xin) clock: 24MHz Arm Cortex-A55 clock: 1.2GHz Arm Cortex-M33 clock: 200MHz AXI-bus clock: 200MHz APB-bus clock: 100MHz Internal memory Instruction cache: 32KB Data cache: 32KB Power voltage: 1.1V, I/O: 3.3V 361-Pin PBGA 0.5-mm pitch
Memory	QSPI flash memory: 512Mbit * 1pc DDR4 SDRAM: 1GB * 1pc eMMC memory: 64GB * 1pc
Clock IC	Clock generator: 1pc
Ethernet IC	Ethernet PHY: 1pc
Connector	microSD card slot (4 bits): 1pc 10-pin pin header for JTAG: 1pc SMARC edge connector (314 pins): 1pc
Switch	System setting DIP switch: 5 bits
Circuit board specifications	Dimensions: 82 mm * 50 mm Mount: Double-sided mounting (6 layers)

1.4 Outside View

Figure 1.2 and Figure 1.3 show the outside view of RTK9744C22C01000BE.



Figure 1.2 Outside View of RTK9744C22C01000BE (Top View)

NOTE

This picture is RTK9744L23C01000BE.

There are no CN1(ADC connector) and IC23(Ethernet PHY).

RZ/G2LC is mounted to IC1.

SW1 is changed from a 2bit switch to a 5bit one.



Figure 1.3 Outside View of RTK9744C22C01000BE (Bottom View)

NOTE

This picture is RTK9744L23C01000BE.

1.5 Block Diagram

Figure 1.4 shows the block diagram of RTK9744C22C01000BE.

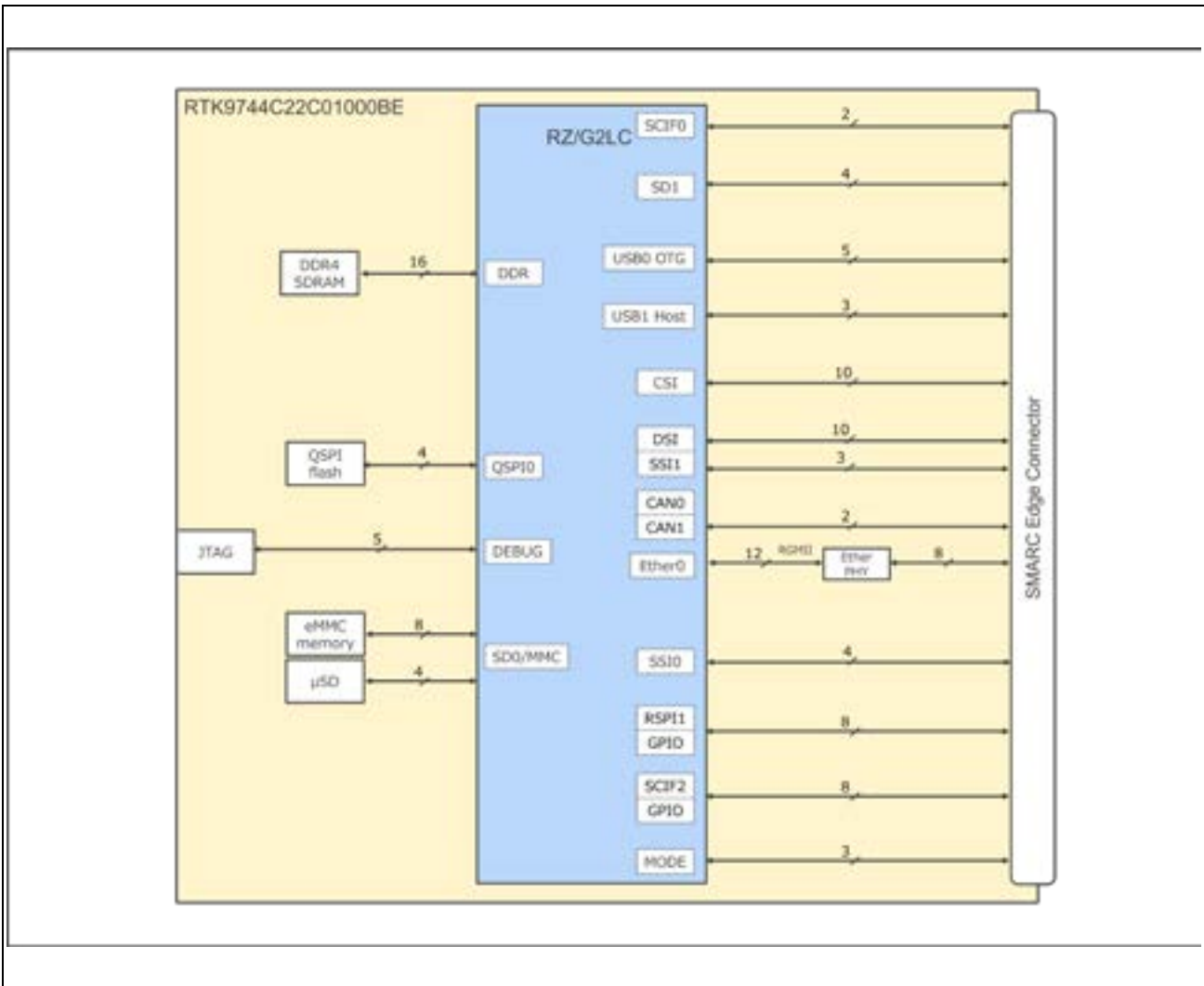


Figure 1.4 Block Diagram of RTK9744C22C01000BE

1.6 Layout Components

Figure 1.5 and Figure 1.6 show the layout of main components of RTK9744C22C01000BE.

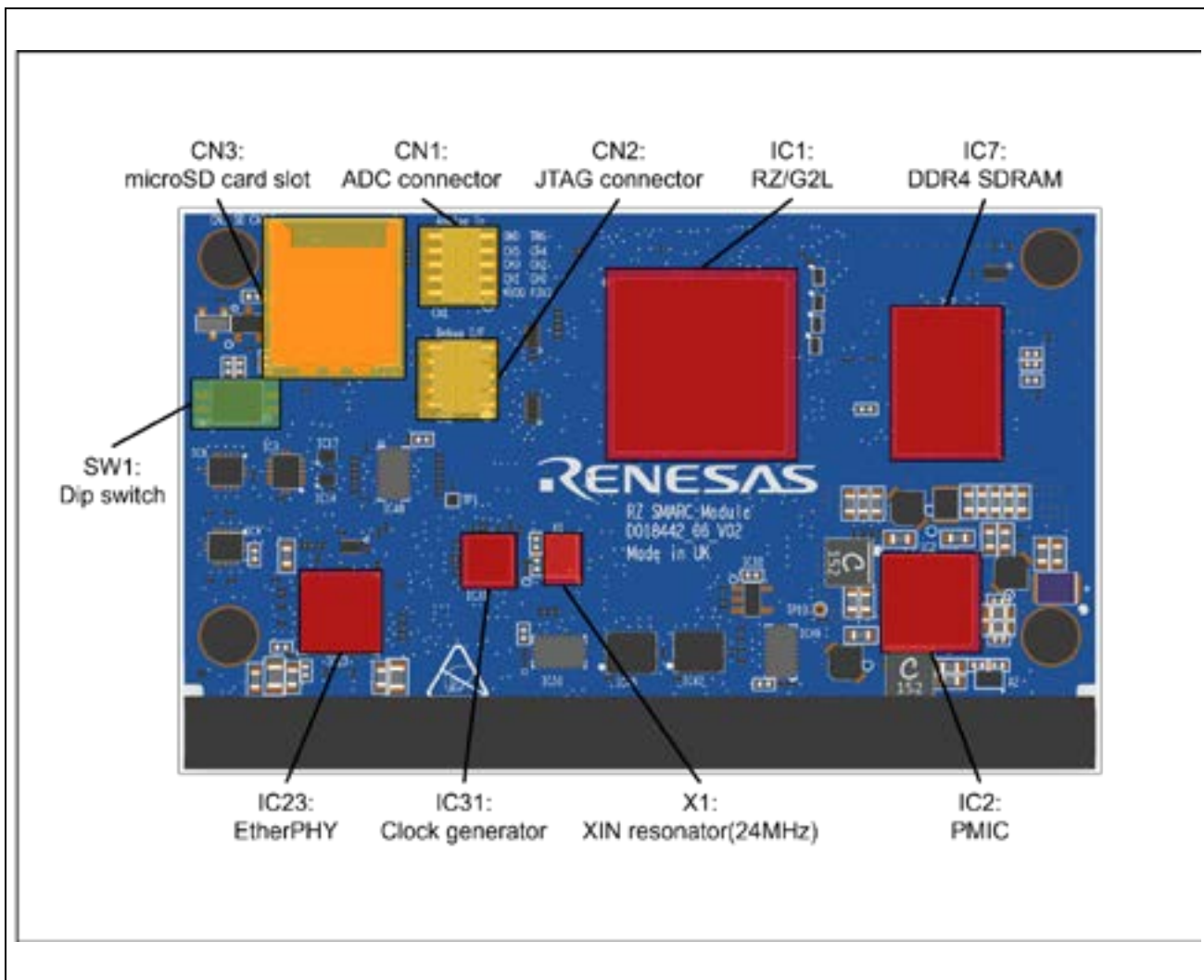


Figure 1.5 Layout of Components of RTK9744C22C01000BE (Top View)

NOTE

This layout is RTK9744L23C01000BE.

There are no CN1 and IC23.

RZ/G2LC is mounted to IC1.

SW1 is changed from a 2bit switch to a 5bit one.

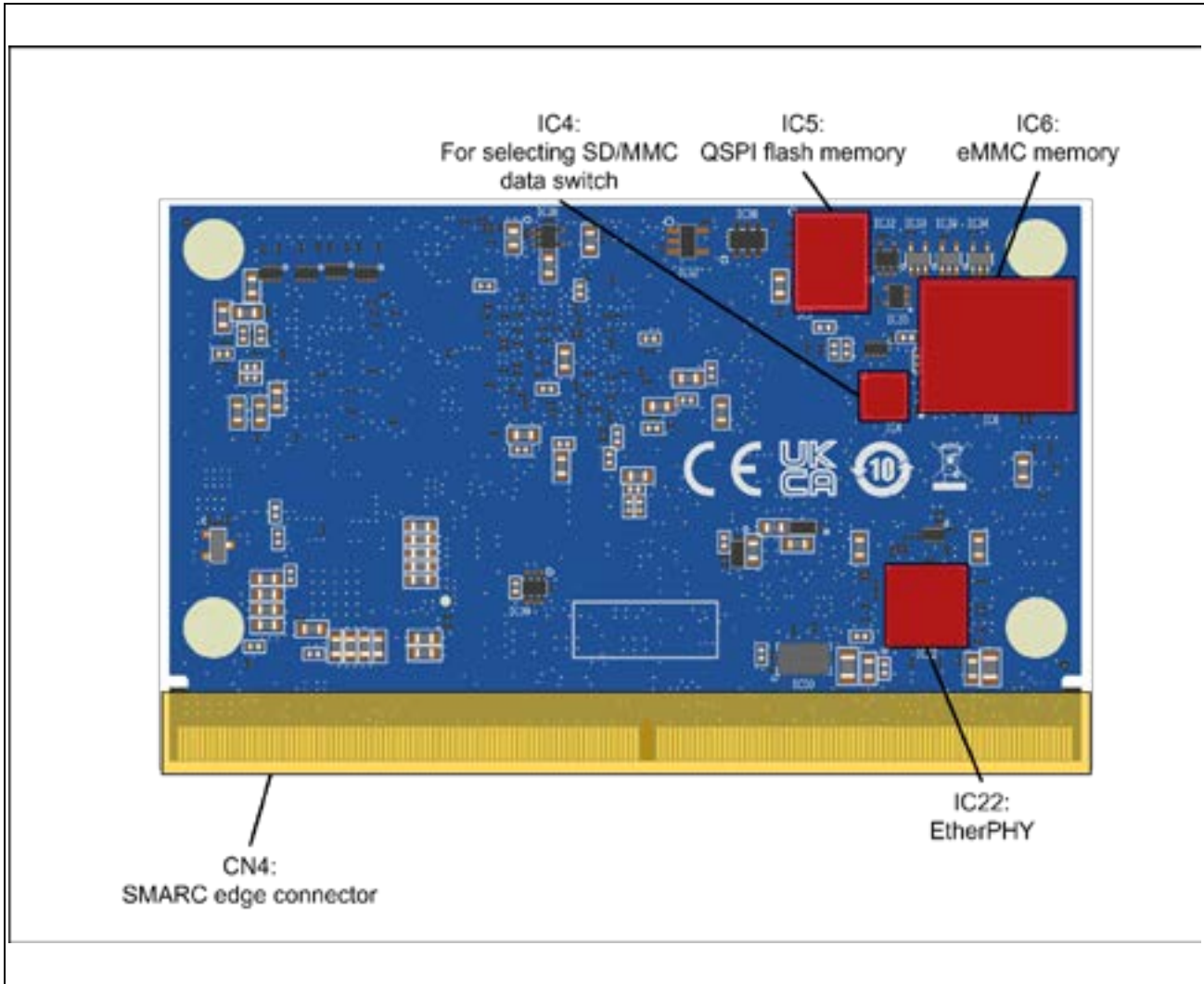


Figure 1.6 Layout of Components of RTK9744C22C01000BE (Bottom View)

NOTE

This layout is RTK9744L23C01000BE.

Table 1.2 and **Table 1.3** list main components mounted on RTK9744C22C01000BE.

Table 1.2 Main Components on RTK9744C22C01000BE (1) IC

Component Number	Component Name	Type (Manufacturer)	Recommended Optional Components
IC1	MPU	R9A07G044C22GBG (Renesas Electronics)	
IC2	PMIC	RAA215300A2GNP#HA0 (Renesas Electronics)	
IC4	Data switch IC	MAX4996LETG+ (MAXIM)	
IC5	QSPI flash memory	MT25QU512ABB8E12-0SIT (Micron)	
IC6	eMMC memory	MTFC64GASAQHD-IT (Micron)	
IC7	DDR4 SDRAM	MT40A512M16LY-062EIT:E (Micron)	
IC22	Ethernet PHY	KSZ9131RNXC (Microchip)	
IC31	Clock generator	5P35023B-629NLGI (Renesas Electronics)	
X1	Crystal resonator for XIN	FL2400022 (Diodes Inc)	24MHz

Table 1.3 Main Components on RTK9744C22C01000BE (2) Connector

Components Number	Component Name	Type (Manufacturer)	Recommend Optional Parts
CN2	JTAG connector (10pin)	FTSH-105-01-F-DV-007-K (Samtec)	
CN3	microSD card slot	504077-1891 (Molex)	
CN4	SMARC edge connector (314pin)		

1.7 Absolute Maximum Ratings

Table 1.4 lists absolute maximum ratings of RTK9744C22C01000BE.

Table 1.4 Absolute Maximum Ratings of RTK9744C22C01000BE

Symbol	Item	Rated Value	Note
VDD_IN	Power voltage	5.25V	Reference: Vss
—	Maximum power consumption	3A	Includes continuous RZ SMARC Series Carrier Board current consumption
Topr	Operating ambient temperature*1	0°C to 50°C	Do not expose to condensation or corrosive gases
Tstg	Storage temperature*1	-10°C to 60°C	Do not expose to condensation or corrosive gases

Note 1. Ambient temperature is the air temperature at a position as close to the board as possible.

1.8 Operating Condition

Table 1.5 lists operating conditions of RTK9744C22C01000BE.

Table 1.5 Operating Conditions of RTK9744C22C01000BE

Symbol	Item	Rated Value	Note
Topr	Operating ambient temperature*1	0°C to 40°C	Do not expose to condensation or corrosive gases

Note 1. Ambient temperature is the air temperature at a position as close to the board as possible.

2. Functional Specifications

2.1 Overview of Functions

Table 2.1 lists function modules of RTK9744C22C01000BE.

Table 2.1 Function Modules of RTK9744C22C01000BE

Section	Function	Description
2.2	MPU	RZ/G2LC Input (Xin) clock: 24MHz Arm Cortex-A55 clock: 1.2GHz Arm Cortex-M33 clock: 200MHz AXI-bus clock: 200MHz APB-bus clock: 100MHz
2.3	Memory	QSPI flash memory: 512Mbit * 1pc DDR4 SDRAM: 1GB * 1pc eMMC memory: 64GB * 1pc
2.4	Gigabit Ethernet Interface	Connection between the Ethernet controller (E-MAC) and LAN connector via Ethernet PHY
2.5	Clock Configuration	System clock configuration
2.6	Reset Control	Reset control for RZ/G2LC mounted on RTK9744C22C01000BE.
2.7	Power Supply Configuration	System power supply configuration of RTK9744C22C01000BE and RTK97X4XXB00000BE
2.8	PMIC	Connection between RZ/G2LC and PMIC
2.9	Debug Interface	Connection between Debug Interface and connector
2.10	SD/MMC Host Interface	Connection between SD/MMC Host Interface (SDHI) channel 0 and microSD card slot
—	Operating specification	Connectors and switches Details are described in Chapter 3

2.2 MPU

2.2.1 Overview of RZ/G2LC

RTK9744C22C01000BE contains a 64-bit microprocessor RZ/G2LC that runs in synchronization with the CPU clock (max.1.2 GHz).

2.2.2 List of RZ/G2LC Functions

Table 2.2 lists RZ/G2LC pin functions used in RTK9744C22C01000BE.

Table 2.2 List of RZ/G2LC Pin Function Selection Used on the RTK9744C22C01000BE (1/17)

Pin Location	Pin Name	Pin Function	Description	SMARC Pin No.	SMARC Pin Name
F11	ABG_AVDD18	ABG_AVDD18	1.8V, Samsung Adaptive Body Bias Generator 1.8V Analog Power Supply	—	—
C11	ABG_NCP_OUT	ABG_NCP_OUT	Connected to VSS via 1uF bypass-capacitor	—	—
B10	AUDIO_CLK1	AUDIO_CLK1	Connected to DIFF1 pin of 5P35023 used as CD sampling rate 44.1KHz refclock 11.2896MHz	S38	AUDIO_MC K
B9	AUDIO_CLK2	AUDIO_CLK2	Connected to DIFF2 pin of 5P35023 used as DVD sampling rate 48.0KHz refclock 12.2880MHz	—	—
AC21	BSCANP	BSCANP	Initial setting: 0 (Pull down), should be controllable by resistor.	—	—
AC20	CPUHOLD	CPUHOLD	Initial setting: 0 (Pull down), should be controllable by resistor.	—	—
AE13	CSI_CLKN	CSI_CLKN	Carrier Board Connector Connected to 24pin FFC connector	P4	CSI1_CLK-
AD13	CSI_CLKP	CSI_CLKP	Carrier Board Connector Connected to 24pin FFC connector	P3	CSI1_CLK+
AE14	CSI_DATA0_N	CSI_DATA0_N	Carrier Board Connector Connected to 24pin FFC connector	P8	CSI1_RX0-
AD14	CSI_DATA0_P	CSI_DATA0_P	Carrier Board Connector Connected to 24pin FFC connector	P7	CSI1_RX0+
AE12	CSI_DATA1_N	CSI_DATA1_N	Carrier Board Connector Connected to 24pin FFC connector	P11	CSI1_RX1-
AD12	CSI_DATA1_P	CSI_DATA1_P	Carrier Board Connector Connected to 24pin FFC connector	P10	CSI1_RX1+
AE15	CSI_DATA2_N	CSI_DATA2_N	Carrier Board Connector Connected to 24pin FFC connector	P14	CSI1_RX2-
AD15	CSI_DATA2_P	CSI_DATA2_P	Carrier Board Connector Connected to 24pin FFC connector	P13	CSI1_RX2+
AE11	CSI_DATA3_N	CSI_DATA3_N	Carrier Board Connector Connected to 24pin FFC connector	P17	CSI1_RX3-

Table 2.2 List of RZ/G2LC Pin Function Selection Used on the RTK9744C22C01000BE (2/17)

Pin Location	Pin Name	Pin Function	Description	SMARC Pin No.	SMARC Pin Name
AD11	CSI_DATA3_P	CSI_DATA3_P	Carrier Board Connector Connected to 24pin FFC connector	P16	CSI1_RX3+
Y10	CSI_VDD18	CSI_VDD18	1.8V	—	—
Y9	CSI_VDD18	CSI_VDD18	1.8V	—	—
E25	DDR_ADDR0	DDR_ADDR0	DDR4 SDRAM (MT40A512M16LY-062EIT:E)	—	—
K25	DDR_ADDR1	DDR_ADDR1	DDR4 SDRAM (MT40A512M16LY-062EIT:E)	—	—
P23	DDR_ADDR10	DDR_ADDR10	DDR4 SDRAM (MT40A512M16LY-062EIT:E)	—	—
H25	DDR_ADDR11	DDR_ADDR11	DDR4 SDRAM (MT40A512M16LY-062EIT:E)	—	—
N23	DDR_ADDR12	DDR_ADDR12	DDR4 SDRAM (MT40A512M16LY-062EIT:E)	—	—
D23	DDR_ADDR13	DDR_ADDR13	DDR4 SDRAM (MT40A512M16LY-062EIT:E)	—	—
H23	DDR_ADDR14	DDR_ADDR14	DDR4 SDRAM (MT40A512M16LY-062EIT:E)	—	—
D25	DDR_ADDR15	DDR_ADDR15	DDR4 SDRAM (MT40A512M16LY-062EIT:E)	—	—
C25	DDR_ADDR2	DDR_ADDR2	DDR4 SDRAM (MT40A512M16LY-062EIT:E)	—	—
C24	DDR_ADDR3	DDR_ADDR3	DDR4 SDRAM (MT40A512M16LY-062EIT:E)	—	—
K23	DDR_ADDR4	DDR_ADDR4	DDR4 SDRAM (MT40A512M16LY-062EIT:E)	—	—
B24	DDR_ADDR5	DDR_ADDR5	DDR4 SDRAM (MT40A512M16LY-062EIT:E)	—	—
J25	DDR_ADDR6	DDR_ADDR6	DDR4 SDRAM (MT40A512M16LY-062EIT:E)	—	—
A24	DDR_ADDR7	DDR_ADDR7	DDR4 SDRAM (MT40A512M16LY-062EIT:E)	—	—
F25	DDR_ADDR8	DDR_ADDR8	DDR4 SDRAM (MT40A512M16LY-062EIT:E)	—	—
B25	DDR_ADDR9	DDR_ADDR9	DDR4 SDRAM (MT40A512M16LY-062EIT:E)	—	—
E24	DDR_BA0	DDR_BA0	DDR4 SDRAM (MT40A512M16LY-062EIT:E)	—	—
L24	DDR_BA1	DDR_BA1	DDR4 SDRAM (MT40A512M16LY-062EIT:E)	—	—
F23	DDR_BA2	DDR_BA2	DDR4 SDRAM (MT40A512M16LY-062EIT:E)	—	—
A23	DDR_CALIBRATION	DDR_CALIBRATION	DDR4 SDRAM (MT40A512M16LY-062EIT:E)	—	—
J24	DDR_CAS_N	DDR_CAS_N	DDR4 SDRAM (MT40A512M16LY-062EIT:E)	—	—
M25	DDR_CKE	DDR_CKE	DDR4 SDRAM (MT40A512M16LY-062EIT:E)	—	—
P24	DDR_CLK_N	DDR_CLK_N	DDR4 SDRAM (MT40A512M16LY-062EIT:E)	—	—

Table 2.2 List of RZ/G2LC Pin Function Selection Used on the RTK9744C22C01000BE (3/17)

Pin Location	Pin Name	Pin Function	Description	SMARC Pin No.	SMARC Pin Name
P25	DDR_CLK_P	DDR_CLK_P	DDR4 SDRAM (MT40A512M16LY-062EIT:E)	—	—
N24	DDR_CS0_N	DDR_CS0_N	DDR4 SDRAM (MT40A512M16LY-062EIT:E)	—	—
L23	DDR_CS1_N	DDR_CS1_N	DDR4 SDRAM (MT40A512M16LY-062EIT:E)	—	—
U23	DDR_DM0	DDR_DM0	DDR4 SDRAM (MT40A512M16LY-062EIT:E)	—	—
Y24	DDR_DM1	DDR_DM1	DDR4 SDRAM (MT40A512M16LY-062EIT:E)	—	—
T24	DDR_DQ0	DDR_DQ0	DDR4 SDRAM (MT40A512M16LY-062EIT:E)	—	—
Y25	DDR_DQ1	DDR_DQ1	DDR4 SDRAM (MT40A512M16LY-062EIT:E)	—	—
W23	DDR_DQ10	DDR_DQ10	DDR4 SDRAM (MT40A512M16LY-062EIT:E)	—	—
AD25	DDR_DQ11	DDR_DQ11	DDR4 SDRAM (MT40A512M16LY-062EIT:E)	—	—
AE23	DDR_DQ12	DDR_DQ12	DDR4 SDRAM (MT40A512M16LY-062EIT:E)	—	—
AA23	DDR_DQ13	DDR_DQ13	DDR4 SDRAM (MT40A512M16LY-062EIT:E)	—	—
AC24	DDR_DQ14	DDR_DQ14	DDR4 SDRAM (MT40A512M16LY-062EIT:E)	—	—
AE24	DDR_DQ15	DDR_DQ15	DDR4 SDRAM (MT40A512M16LY-062EIT:E)	—	—
R24	DDR_DQ2	DDR_DQ2	DDR4 SDRAM (MT40A512M16LY-062EIT:E)	—	—
W24	DDR_DQ3	DDR_DQ3	DDR4 SDRAM (MT40A512M16LY-062EIT:E)	—	—
T25	DDR_DQ4	DDR_DQ4	DDR4 SDRAM (MT40A512M16LY-062EIT:E)	—	—
U25	DDR_DQ5	DDR_DQ5	DDR4 SDRAM (MT40A512M16LY-062EIT:E)	—	—
R25	DDR_DQ6	DDR_DQ6	DDR4 SDRAM (MT40A512M16LY-062EIT:E)	—	—
T23	DDR_DQ7	DDR_DQ7	DDR4 SDRAM (MT40A512M16LY-062EIT:E)	—	—
AD24	DDR_DQ8	DDR_DQ8	DDR4 SDRAM (MT40A512M16LY-062EIT:E)	—	—
AA24	DDR_DQ9	DDR_DQ9	DDR4 SDRAM (MT40A512M16LY-062EIT:E)	—	—
V24	DDR_DQS0_N	DDR_DQS0_N	DDR4 SDRAM (MT40A512M16LY-062EIT:E)	—	—
V25	DDR_DQS0_P	DDR_DQS0_P	DDR4 SDRAM (MT40A512M16LY-062EIT:E)	—	—
AB25	DDR_DQS1_N	DDR_DQS1_N	DDR4 SDRAM (MT40A512M16LY-062EIT:E)	—	—
AB24	DDR_DQS1_P	DDR_DQS1_P	DDR4 SDRAM (MT40A512M16LY-062EIT:E)	—	—
M24	DDR_ODT0	DDR_ODT0	DDR4 SDRAM (MT40A512M16LY-062EIT:E)	—	—

Table 2.2 List of RZ/G2LC Pin Function Selection Used on the RTK9744C22C01000BE (4/17)

Pin Location	Pin Name	Pin Function	Description	SMARC Pin No.	SMARC Pin Name
L25	DDR_ODT1	DDR_ODT1	DDR4 SDRAM (MT40A512M16LY-062EIT:E)	—	—
H24	DDR_RAS_N	DDR_RAS_N	DDR4 SDRAM (MT40A512M16LY-062EIT:E)	—	—
B23	DDR_RESET_N	DDR_RESET_N	DDR4 SDRAM (MT40A512M16LY-062EIT:E)	—	—
AB23	DDR_VDDQ	DDR_VDDQ	DDR4 SDRAM (MT40A512M16LY-062EIT:E)	—	—
H20	DDR_VDDQ	DDR_VDDQ	DDR4 SDRAM (MT40A512M16LY-062EIT:E)	—	—
K20	DDR_VDDQ	DDR_VDDQ	DDR4 SDRAM (MT40A512M16LY-062EIT:E)	—	—
T20	DDR_VDDQ	DDR_VDDQ	DDR4 SDRAM (MT40A512M16LY-062EIT:E)	—	—
V20	DDR_VDDQ	DDR_VDDQ	DDR4 SDRAM (MT40A512M16LY-062EIT:E)	—	—
W20	DDR_VDDQ	DDR_VDDQ	DDR4 SDRAM (MT40A512M16LY-062EIT:E)	—	—
G25	DDR_WE_N	DDR_WE_N	DDR4 SDRAM (MT40A512M16LY-062EIT:E)	—	—
Y18	DEBUGEN	DEBUGEN	DIP_SW (SW1)	—	—
AD19	DSI_CLKN	DSI_CLKN	Carrier Board Connector Connected MIPI-DSI to HDMI bridge device	S135	DSI0_CLK-
AE19	DSI_CLKP	DSI_CLKP	Carrier Board Connector Connected MIPI-DSI to HDMI bridge device	S134	DSI0_CLK+
AD18	DSI_DATA0_N	DSI_DATA0_N	Carrier Board Connector Connected MIPI-DSI to HDMI bridge device	S126	DSI0_D0-
AE18	DSI_DATA0_P	DSI_DATA0_P	Carrier Board Connector Connected MIPI-DSI to HDMI bridge device	S125	DSI0_D0+
AD20	DSI_DATA1_N	DSI_DATA1_N	Carrier Board Connector Connected MIPI-DSI to HDMI bridge device	S129	DSI0_D1-
AE20	DSI_DATA1_P	DSI_DATA1_P	Carrier Board Connector Connected MIPI-DSI to HDMI bridge device	S128	DSI0_D1+
AD17	DSI_DATA2_N	DSI_DATA2_N	Carrier Board Connector Connected MIPI-DSI to HDMI bridge device	S132	DSI0_D2-
AE17	DSI_DATA2_P	DSI_DATA2_P	Carrier Board Connector Connected MIPI-DSI to HDMI bridge device	S131	DSI0_D2+
AD21	DSI_DATA3_N	DSI_DATA3_N	Carrier Board Connector Connected MIPI-DSI to HDMI bridge device	S138	DSI0_D3-
AE21	DSI_DATA3_P	DSI_DATA3_P	Carrier Board Connector Connected MIPI-DSI to HDMI bridge device	S137	DSI0_D3+
Y14	DSI_VDD18	DSI_VDD18	1.8V	—	—
Y15	DSI_VDD18	DSI_VDD18	1.8V	—	—
N1	P28_1/ET0_LINKSTA	ET0_LINKSTA	Connected to Ethernet0 PHY (KSZ9131RNXC)	—	—

Table 2.2 List of RZ/G2LC Pin Function Selection Used on the RTK9744C22C01000BE (5/17)

Pin Location	Pin Name	Pin Function	Description	SMARC Pin No.	SMARC Pin Name
T1	P27_1/ET0_MDC/RS PI1_SSL/MTIOC8D	ET0_MDC	Connected to Ethernet0 PHY (KSZ9131RNXC)	—	—
R2	P28_0/ET0_MDIO	ET0_MDIO	Connected to Ethernet0 PHY (KSZ9131RNXC)	—	—
N2	P24_1/ET0_RX_CTL _RX_DV/SS11_RCK/P OE4_N	ET0_RX_CTL_RX_D V	Connected to Ethernet0 PHY (KSZ9131RNXC)	—	—
P2	P24_0/ET0_RXC_RX _CLK/SS11_BCK/POE 0_N	ET0_RXC_RX_CLK	Connected to Ethernet0 PHY (KSZ9131RNXC)	—	—
N3	P25_0/ET0_RXD0/SS I1_TXD/POE8_N	ET0_RXD0	Connected to Ethernet0 PHY (KSZ9131RNXC)	—	—
P3	P25_1/ET0_RXD1/SS I1_RXD/POE10_N	ET0_RXD1	Connected to Ethernet0 PHY (KSZ9131RNXC)	—	—
R1	P26_0/ET0_RXD2/RS PI1_CK/MTIOC8A	ET0_RXD2	Connected to Ethernet0 PHY (KSZ9131RNXC)	—	—
P1	P26_1/ET0_RXD3/RS PI1_MOSI/MTIOC8B	ET0_RXD3	Connected to Ethernet0 PHY (KSZ9131RNXC)	—	—
L1	P20_1/ET0_TX_CTL_ TX_EN/RSPi0_MOSI/ CAN0_TX	ET0_TX_CTL_TX_E N	Connected to Ethernet0 PHY (KSZ9131RNXC)	—	—
M2	P20_0/ET0_TXC_TX_ CLK/RSPi0_CK/CAN _CLK	ET0_TXC_TX_CLK	Connected to Ethernet0 PHY (KSZ9131RNXC)	—	—
L2	P20_2/ET0_TXD0/RS PI0_MISO/CAN0_RX	ET0_TXD0	Connected to Ethernet0 PHY (KSZ9131RNXC)	—	—
K1	P21_0/ET0_TXD1/RS PI0_SSL/CAN0_TX_ DATARATE_EN	ET0_TXD1	Connected to Ethernet0 PHY (KSZ9131RNXC)	—	—
J1	P21_1/ET0_TXD2/CA N0_RX_DATARATE_ EN	ET0_TXD2	Connected to Ethernet0 PHY (KSZ9131RNXC)	—	—
J2	P22_0/ET0_TXD3/SS I0_BCK/CAN1_TX/MT CLKA	ET0_TXD3	Connected to Ethernet0 PHY (KSZ9131RNXC)	—	—
M3	ETHER0_PVDD	ETHER0_PVDD	Connected to VENET Power rail of PMIC RAA215300	—	—
N6	ETHER0_PVDD	ETHER0_PVDD	Connected to VENET Power rail of PMIC RAA215300	—	—
AA3	EXTAL	EXTAL	24MHz input, (connect to REF pin of 5P35023 for system clock)	—	—
T3	JTAG_PVDD	JTAG_PVDD	1.8V	—	—

Table 2.2 List of RZ/G2LC Pin Function Selection Used on the RTK9744C22C01000BE (6/17)

Pin Location	Pin Name	Pin Function	Description	SMARC Pin No.	SMARC Pin Name
A4	MD_BOOT0	MD_BOOT0	Input BOOT_SEL0#, BOOT_SEL1#, BOOT_SEL3# logic states	P123, P124, P125	BOOT_SEL 0#,1#,2#
C5	MD_BOOT1	MD_BOOT1	Input BOOT_SEL0#, BOOT_SEL1#, BOOT_SEL3# logic states	P123, P124, P125	BOOT_SEL 0#,1#,2#
B5	MD_BOOT2	MD_BOOT2	Input BOOT_SEL0#, BOOT_SEL1#, BOOT_SEL3# logic states	P123, P124, P125	BOOT_SEL 0#,1#,2#
A21	MD_CLKS	MD_CLKS	Initial setting: 1 (Pull Up), should be controllable by resistor.	—	—
C21	MD_OSCDRV0	MD_OSCDRV0	Initial setting: 0 (Pull Down), should be controllable by resistor.	—	—
B21	MD_OSCDRV1	MD_OSCDRV1	Initial setting: 0 (Pull Down), should be controllable by resistor.	—	—
AD2	NMI	NMI	Input Interrupt signal from PWR_BTN#	—	—
F14	OTP_VDD18	OTP_VDD18	1.8V	—	—
M6	PLL1_AVDD18	PLL1_AVDD18	1.8V	—	—
V3	PLL23_AVDD18	PLL23_AVDD18	1.8V	—	—
W3	PLL23_AVDD18	PLL23_AVDD18	1.8V	—	—
T6	PLL23_DVDD11	PLL23_DVDD11	1.1V	—	—
U6	PLL23_DVDD11	PLL23_DVDD11	1.1V	—	—
P20	PLL4_AVDD18	PLL4_AVDD18	1.8V	—	—
Y11	PLL5_AVDD18	PLL5_AVDD18	1.8V	—	—
Y13	PLL5_DVDD11	PLL5_DVDD11	1.1V	—	—
F12	PLL6_AVDD18	PLL6_AVDD18	1.8V	—	—
Y2	PRST_N	PRST_N	Connect to the Reset Logic circuit	—	—
AC4	PVDD_1	PVDD_1	3.3V	—	—
Y6	PVDD_1	PVDD_1	3.3V	—	—
AC14	PVDD_2	PVDD_2	3.3V	—	—
AD10	PVDD_2	PVDD_2	3.3V	—	—
Y16	PVDD_2	PVDD_2	3.3V	—	—
Y19	PVDD_2	PVDD_2	3.3V	—	—
C3	PVDD_3	PVDD_3	3.3V	—	—

Table 2.2 List of RZ/G2LC Pin Function Selection Used on the RTK9744C22C01000BE (7/17)

Pin Location	Pin Name	Pin Function	Description	SMARC Pin No.	SMARC Pin Name
F15	PVDD_3	PVDD_3	3.3V	—	—
F17	PVDD_3	PVDD_3	3.3V	—	—
F20	PVDD_3	PVDD_3	3.3V	—	—
B8	QSPI_INT_N	QSPI_INT_N	Unused	—	—
A8	QSPI_RESET_N	QSPI_RESET_N	QSPI Flash Memory (MT25QU512ABB8E12-0SIT)	—	—
A7	QSPI_WP_N	QSPI_WP_N	Unused	—	—
B7	QSPI0_IO0	QSPI0_IO0	QSPI Flash Memory (MT25QU512ABB8E12-0SIT)	—	—
A6	QSPI0_IO1	QSPI0_IO1	QSPI Flash Memory (MT25QU512ABB8E12-0SIT)	—	—
C8	QSPI0_IO1	QSPI0_IO1	QSPI Flash Memory (MT25QU512ABB8E12-0SIT)	—	—
C7	QSPI0_IO2	QSPI0_IO2	QSPI Flash Memory (MT25QU512ABB8E12-0SIT)	—	—
C6	QSPI0_IO3	QSPI0_IO3	QSPI Flash Memory (MT25QU512ABB8E12-0SIT)	—	—
A5	QSPI0_SPCLK	QSPI0_SPCLK	QSPI Flash Memory (MT25QU512ABB8E12-0SIT)	—	—
E1	QSPI0_SSL	QSPI0_SSL	QSPI Flash Memory (MT25QU512ABB8E12-0SIT)	—	—
C1	SD0_CLK	SD0_CLK	eMMC Memory (MTFC64GASAQHD-IT) (for SD0)	—	—
F3	SD0_CMD	SD0_CMD	eMMC Memory (MTFC64GASAQHD-IT) (for SD0)	—	—
E2	SD0_DATA0	SD0_DATA0	eMMC Memory (MTFC64GASAQHD-IT) (for SD0)	—	—
D1	SD0_DATA1	SD0_DATA1	eMMC Memory (MTFC64GASAQHD-IT) (for SD0)	—	—
B1	SD0_DATA2	SD0_DATA2	eMMC Memory (MTFC64GASAQHD-IT) (for SD0)	—	—
D2	SD0_DATA3	SD0_DATA3	eMMC Memory (MTFC64GASAQHD-IT) (for SD0)	—	—
C2	SD0_DATA4	SD0_DATA4	eMMC Memory (MTFC64GASAQHD-IT) (for SD0)	—	—
D3	SD0_DATA5	SD0_DATA5	eMMC Memory (MTFC64GASAQHD-IT) (for SD0)	—	—
E3	SD0_DATA6	SD0_DATA6	eMMC Memory (MTFC64GASAQHD-IT) (for SD0)	—	—
F6	SD0_DATA7	SD0_DATA7	eMMC Memory (MTFC64GASAQHD-IT) (for SD0)	—	—
H6	SD0_PVDD	SD0_PVDD	Connected to VOUT pin of ISL80505IRAJZ (1.8V/3.3V)	—	—
B2	SD0_RST_N	SD0_RST_N	eMMC Memory (MTFC64GASAQHD-IT) (for SD0)	—	—
H3	SD1_CLK	SD1_CLK	Carrier Board Connector, Connected to SDIO_CK (for SD1)	P36	SDIO_CK

Table 2.2 List of RZ/G2LC Pin Function Selection Used on the RTK9744C22C01000BE (8/17)

Pin Location	Pin Name	Pin Function	Description	SMARC Pin No.	SMARC Pin Name
F2	SD1_CMD	SD1_CMD	Carrier Board Connector Connected to SDIO_CMD (for SD1)	P34	SDIO_CMD
G2	SD1_DATA0	SD1_DATA0	Carrier Board Connector, Connected to SDIO_D0 (for SD1)	P39	SDIO_D0
G3	SD1_DATA1	SD1_DATA1	Carrier Board Connector, Connected to SDIO_D1 (for SD1)	P40	SDIO_D1
G1	SD1_DATA2	SD1_DATA2	Carrier Board Connector, Connected to SDIO_D2 (for SD1)	P41	SDIO_D2
H2	SD1_DATA3	SD1_DATA3	Carrier Board Connector, Connected to SDIO_D3 (for SD1)	P42	SDIO_D3
J3	SD1_PVDD	SD1_PVDD	Connected to VOUT pin of ISL80505IRAJZ (1.8V/3.3V)	—	—
K6	SD1_PVDD	SD1_PVDD	Connected to VOUT pin of ISL80505IRAJZ (1.8V/3.3V)	—	—
B13	P38_1/SCIF0_RXD/ GTETRGB/CAN0_TX/ MTIOC4B/USB1_OV RCUR	SCIF0_RXD	Carrier Board Connector, Used as SCIF0_RXD (Serial Download Mode with UART to USB for Debug)	P141	SER3_RX
C13	P38_0/SCIF0_TXD/ GTETRGA/CAN_CLK /MTIOC4A/USB1_VB USEN	SCIF0_TXD	Carrier Board Connector, Used as SCIF0_TXD (Serial Download Mode with UART to USB for Debug)	P140	SER3_TX
AC22	VSS	VSS	GND	—	—
C22	VSS	VSS	GND	—	—
F10	SPI_PVDD	SPI_PVDD	1.8V	—	—
F8	SPI_PVDD	SPI_PVDD	1.8V	—	—
J13	VDD	VDD	1.1V	—	—
M14	VSS	VSS	GND	—	—
P14	VSS	VSS	GND	—	—
P6	VSS	VSS	GND	—	—
R6	VSS	VSS	GND	—	—
U11	VDD	VDD	1.1V	—	—
AD22	VSS	VSS	GND	—	—
T14	VSS	VSS	GND	—	—
U13	VDD	VDD	1.1V	—	—

Table 2.2 List of RZ/G2LC Pin Function Selection Used on the RTK9744C22C01000BE (9/17)

Pin Location	Pin Name	Pin Function	Description	SMARC Pin No.	SMARC Pin Name
U2	TCK_SWDCLK	TCK_SWDCLK	Connected to JTAG connector (CN2)	—	—
V6	VSS	VSS	GND	—	—
AE22	VSS	VSS	GND	—	—
F7	VSS	VSS	GND	—	—
J15	VDD	VDD	1.1V	—	—
L15	VSS	VSS	GND	—	—
W2	TDI	TDI	Connected to JTAG connector (CN2)	—	—
A9	VSS	VSS	GND	—	—
C23	VSS	VSS	GND	—	—
N15	VSS	VSS	GND	—	—
U15	VDD	VDD	1.1V	—	—
V2	TDO_SWO	TDO_SWO	Connected to JTAG connector (CN2)	—	—
C9	VSS	VSS	GND	—	—
E23	VSS	VSS	GND	—	—
J17	VDD	VDD	1.1V	—	—
R15	VSS	VSS	GND	—	—
Y17	TESTMD	TESTMD	Initial setting: 0 (Pull Down Resistor), should be controllable by resistor.	—	—
AC15	VSS	VSS	GND	—	—
F9	VSS	VSS	GND	—	—
G23	VSS	VSS	GND	—	—
L17	VDD	VDD	1.1V	—	—
V1	TMS_SWDIO	TMS_SWDIO	Connected to JTAG connector (CN2)	—	—
F16	VSS	VSS	GND	—	—
J23	VSS	VSS	GND	—	—
K10	VSS	VSS	GND	—	—
N17	VDD	VDD	1.1V	—	—

Table 2.2 List of RZ/G2LC Pin Function Selection Used on the RTK9744C22C01000BE (10/17)

Pin Location	Pin Name	Pin Function	Description	SMARC Pin No.	SMARC Pin Name
W1	TRST_N	TRST_N	Connected to JTAG connector (CN2)	—	—
W6	TS_AVDD18	TS_AVDD18	1.8V	—	—
R17	VDD	VDD	1.1V	—	—
M10	VSS	VSS	GND	—	—
K16	VSS	VSS	GND	—	—
M23	VSS	VSS	GND	—	—
AC9	USB_AVDD18	USB_AVDD18	1.8V	—	—
AC8	USB_RREF	USB_RREF	Connect 1.8ohm to GND	—	—
AC5	USB_VDD18	USB_VDD18	1.8V	—	—
AC6	USB_VDD18	USB_VDD18	1.8V	—	—
Y7	USB_VDD33	USB_VDD33	3.3V	—	—
Y8	USB_VDD33	USB_VDD33	3.3V	—	—
AD6	USB_VSS	USB_VSS	GND	—	—
AE6	USB_VSS	USB_VSS	GND	—	—
AC7	USB_VSS	USB_VSS	GND	—	—
AE9	USB_VSS	USB_VSS	GND	—	—
AE8	USB0_DM	USB0_DM	Carrier Board Connector, connected to USB0- (for USB0)	P61	USB0-
AD8	USB0_DP	USB0_DP	Carrier Board Connector, connected to USB0+ (for USB0)	P60	USB0+
AD9	USB0_VBUSIN	USB0_VBUSIN	Carrier Board Connector, connected to USB0_VBUS_DET (for USB0)	P63	USB0_VBUS_DET
AE7	USB1_DM	USB1_DM	Carrier Board Connector, connected to USB1- (for USB1)	P66	USB1-
AD7	USB1_DP	USB1_DP	Carrier Board Connector, connected to USB1+ (for USB1)	P65	USB1+
U17	VDD	VDD	1.1V	—	—
M20	VDD	VDD	1.1V	—	—
J9	VDD	VDD	1.1V	—	—
L9	VDD	VDD	1.1V	—	—

Table 2.2 List of RZ/G2LC Pin Function Selection Used on the RTK9744C22C01000BE (11/17)

Pin Location	Pin Name	Pin Function	Description	SMARC Pin No.	SMARC Pin Name
N9	VDD	VDD	1.1V	—	—
R9	VDD	VDD	1.1V	—	—
J11	VDD	VDD	1.1V	—	—
U9	VDD	VDD	1.1V	—	—
M16	VSS	VSS	GND	—	—
P10	VSS	VSS	GND	—	—
R23	VSS	VSS	GND	—	—
P16	VSS	VSS	GND	—	—
T10	VSS	VSS	GND	—	—
V23	VSS	VSS	GND	—	—
A1	VDD	VDD	1.1V	—	—
F1	VSS	VSS	GND	—	—
H1	VSS	VSS	GND	—	—
U1	VSS	VSS	GND	—	—
AA1	VSS	VSS	GND	—	—
AC1	VSS	VSS	GND	—	—
AE1	VSS	VSS	GND	—	—
T2	VSS	VSS	GND	—	—
AC10	VSS	VSS	GND	—	—
AE10	VSS	VSS	GND	—	—
L11	VSS	VSS	GND	—	—
N11	VSS	VSS	GND	—	—
R11	VSS	VSS	GND	—	—
AC11	VSS	VSS	GND	—	—
A12	VSS	VSS	GND	—	—

Table 2.2 List of RZ/G2LC Pin Function Selection Used on the RTK9744C22C01000BE (12/17)

Pin Location	Pin Name	Pin Function	Description	SMARC Pin No.	SMARC Pin Name
K12	VSS	VSS	GND	—	—
T16	VSS	VSS	GND	—	—
AC16	VSS	VSS	GND	—	—
AD16	VSS	VSS	GND	—	—
AE16	VSS	VSS	GND	—	—
AC17	VSS	VSS	GND	—	—
F18	VSS	VSS	GND	—	—
AC18	VSS	VSS	GND	—	—
F19	VSS	VSS	GND	—	—
Y23	VSS	VSS	GND	—	—
AC23	VSS	VSS	GND	—	—
AD23	VSS	VSS	GND	—	—
D24	VSS	VSS	GND	—	—
F24	VSS	VSS	GND	—	—
G24	VSS	VSS	GND	—	—
K24	VSS	VSS	GND	—	—
U24	VSS	VSS	GND	—	—
A25	VSS	VSS	GND	—	—
AA2	VSS	VSS	GND	—	—
AC19	VSS	VSS	GND	—	—
AC2	VSS	VSS	GND	—	—
C20	VSS	VSS	GND	—	—
M12	VSS	VSS	GND	—	—
N25	VSS	VSS	GND	—	—
P12	VSS	VSS	GND	—	—

Table 2.2 List of RZ/G2LC Pin Function Selection Used on the RTK9744C22C01000BE (13/17)

Pin Location	Pin Name	Pin Function	Description	SMARC Pin No.	SMARC Pin Name
G20	VSS	VSS	GND	—	—
R3	VSS	VSS	GND	—	—
T12	VSS	VSS	GND	—	—
W25	VSS	VSS	GND	—	—
AA25	VSS	VSS	GND	—	—
J20	VSS	VSS	GND	—	—
U3	VSS	VSS	GND	—	—
Y12	VSS	VSS	GND	—	—
AC12	VSS	VSS	GND	—	—
AC25	VSS	VSS	GND	—	—
L20	VSS	VSS	GND	—	—
Y3	VSS	VSS	GND	—	—
B6	VSS	VSS	GND	—	—
G6	VSS	VSS	GND	—	—
F13	VSS	VSS	GND	—	—
L13	VSS	VSS	GND	—	—
N13	VSS	VSS	GND	—	—
R13	VSS	VSS	GND	—	—
N20	VSS	VSS	GND	—	—
R20	VSS	VSS	GND	—	—
U20	VSS	VSS	GND	—	—
Y20	VSS	VSS	GND	—	—
AE25	VSS	VSS	GND	—	—
AB3	VSS	VSS	GND	—	—
C4	VSS	VSS	GND	—	—

Table 2.2 List of RZ/G2LC Pin Function Selection Used on the RTK9744C22C01000BE (14/17)

Pin Location	Pin Name	Pin Function	Description	SMARC Pin No.	SMARC Pin Name
A22	VSS	VSS	GND	—	—
AC13	VSS	VSS	GND	—	—
B22	VSS	VSS	GND	—	—
J6	VSS	VSS	GND	—	—
K14	VSS	VSS	GND	—	—
L6	VSS	VSS	GND	—	—
C19	WDTOVF_PERROU T	WDTOVF_PERRO UT	Connected to the logic IC for using MPIO5 function of PMIC	—	—
AB2	XIN	XIN	GND	—	—
AB1	XOUT	XOUT	Open	—	—
A19	RIIC1_SCL	RIIC1_SCL	Carrier Board Connector, Used as RIIC1 to connect MIPI-DSI to HDMI bridge device	S139	I2C_LCD_CK
A20	RIIC1_SDA	RIIC1_SDA	Carrier Board Connector, Used as RIIC1 to connect MPI-DSI to HDMI bridge device	S140	I2C_LCD_DAT
B19	RIIC0_SDA	RIIC0_SDA	Carrier Board Connector, Used as RIIC0 to connect MIPI CSI Camera module	S1	I2C_CAM1_CK
B20	RIIC0_SCL	RIIC0_SCL	Carrier Board Connector, Used as RIIC0 to connect MIPI CSI Camera module	S2	I2C_CAM1_DATA
C12	P0_0/IRQ0/SCI0_RXD/GTIOC0A/MTIOC0A/SCIF3_TXD	IRQ0	Connected to Ethernet0 PHY (KSZ9131RNXC), used as IRQ0	—	—
B12	P0_1/IRQ1/SCI0_TXD/GTIOC0B/MTIOC0B/SCIF3_RXD	P0_1	Carrier Board Connector Used as CAM1_PWR#	P109	GPIO1
B3	P18_0/SD0_CD/GTIOC0A/RIIC3_SDA/MTIOC2A	RIIC3_SDA	Connected to PMIC Carrier Board Connector, Connected to PMOD1, Audio Codec	S49	I2C_GP_DAT
A3	P18_1/SD0_WP/GTIOC0B/RIIC3_SCL/MTIOC2B	RIIC3_SCL	Connected to PMIC Carrier Board Connector, Connected to PMOD1, Audio Codec	S48	I2C_GP_CK
A2	P19_0/SD1_CD/GTIOC3A/MTIOC1A/RIIC2_SDA	SD1_CD	Carrier Board Connector, Connected to SDIO_CD# (for SD1)	P35	SDIO_CD#
B4	P19_1/SD1_WP/GTIOC3B/MTIOC1B/RIIC2_SCL	SD1_WP	Carrier Board Connector, Connect to SDIO_WP (for SD1)	P33	SDIO_WP

Table 2.2 List of RZ/G2LC Pin Function Selection Used on the RTK9744C22C01000BE (15/17)

Pin Location	Pin Name	Pin Function	Description	SMARC Pin No.	SMARC Pin Name
K2	P22_1/ET0_TX_ERR/ SSI0_RCK/CAN1_RX /MTCLKB	P22_1	Carrier Board Connector Connected to PMOD0	P114	GPIO6
L3	P23_0/ET0_TX_COL/ SSI0_TXD/CAN1_TX _DATARATE_EN/MT CLKC	P23_0	Carrier Board Connector Connected to PMOD0	P115	GPIO7
K3	P23_1/ET0_TX_CRS/ SSI0_RXD/CAN1_RX _DATARATE_EN/MT CLKD	P23_1	Carrier Board Connector Connected to PMOD1	S142	GPIO12
M1	P27_0/ET0_RX_ERR/ RSP11_MISO/MTIOC 8C	P27_0	Carrier Board Connector Connected to PMOD1	S123	GPIO13
A13	P39_0/SCIF0_SCK/G TETRGC/CAN0_RX/ MTIOC4C	P39_0	GPIO_SD0_PWR_SEL	—	—
B14	P39_1/SCIF0_CTS/G TETRGD/CAN0_TX_ DATARATE_EN/MTI OC4D	P39_1	SD1_PWR_SEL	—	—
A14	P39_2/SCIF0_RTS/C AN0_RX_DATARATE _EN	P39_2	SDIO_PWR_EN	P37	SDIO_PWR _EN
AE5	P4_0/USB0_VBUSEN /SCIF2_TXD/MTIOC7 A/ADC_TRG	USB0_VBUSEN	Carrier Board Connector include gate USB0_VBUSEN state	P62	USB0_EN_ OC#
AD5	P4_1/SCIF2_RXD/MT IOC7B	P4_1	Connected to PMOD0 and PMIC, used as MPIO4 function	P113	GPIO5
C14	P40_0/SCIF1_TXD/G TIOC6A/CAN1_TX/M TIC5U/SCI0_RXD	CAN1_TX	Carrier Board Connector, Connected to CAN1_TX (for CAN1)	P145	CAN1_TX
B15	P40_1/SCIF1_RXD/G TIOC6B/CAN1_RX/M TIC5V/SCI0_TXD	CAN1_RX	Carrier Board Connector, Connected to CAN1_RX (for CAN1)	P146	CAN1_RX
C15	P40_2/SCIF1_SCK/C AN1_TX_DATARATE _EN/MTIC5W/SCI0_S CK	P40_2	Used as CAM1_RST#	P111	GPIO3
A16	P41_0/SCIF1_CTS/G TIOC7A/CAN1_RX_D ATARATE_EN/GTIO C3A/SCI0_CTS_N_R TS_N	SCIF1_CTS	Carrier Board Connector, Connected to PMOD1	P132	SER0_CTS #-
B16	P41_1/SCIF1_RTS/G TIOC7B/GTIOC3B	SCIF1_RTS	Carrier Board Connector, Connected to PMOD1	P131	SER0_RTS #-

Table 2.2 List of RZ/G2LC Pin Function Selection Used on the RTK9744C22C01000BE (16/17)

Pin Location	Pin Name	Pin Function	Description	SMARC Pin No.	SMARC Pin Name
AD3	P42_0/USB1_VBUSE N/RSPI2_CK/CAN_C LK/SCIF2_TXD/MTIO C7A	USB1_VBUSEN	Carrier Board Connector Include gate USB1_OVRCUR state	P67	USB1_EN_ OC#
AC3	P42_1/USB1_OVRCU R/RSPI2_MOSI/CAN0 _TX/SCIF2_RXD/MTI OC7B	USB1_OVRCUR	Carrier Board Connector Include gate USB1_VBUSEN state	P67	USB1_EN_ OC#
AE2	P42_2/ADC_TRG/RS PI2_MISO/CAN0_RX/ SCIF2_SCK/MTIOC7 C	P42_2	Carrier Board Connector Connected to PMOD1 and PMIC, used as MPIO3 function	P119	GPIO11
Y1	P42_3/RIIC2_SDA/R SPI2_SSL/CAN0_TX_ DATARATE_EN/SCIF 2_CTS/MTIOC7D	P42_3	Carrier Board Connector Connected to PMOD1 and CAN1, used as standby input	P117	GPIO9
AD1	P42_4/RIIC2_SCL/CA M_FIELD/CAN0_RX_ DATARATE_EN/SCIF 2_RTS	P42_4	Carrier Board Connector Connected to PMOD1	P116	GPIO8
C16	P43_0/RSPI0_CK/GTI OC4A/GTIOC6A/IRQ 4/MTIOC8A	IRQ4	Carrier Board Connector Connected to PMOD0	P112	GPIO4
A15	P43_1/RSPI0_MOSI/ GTIOC4B/GTIOC6B/I RQ5/MTIOC8B	P43_1	Carrier Board Connector Used as IRQ5 for HDMI INT	P110	GPIO2
A17	P43_2/RSPI0_MISO/ GTIOC5A/IRQ6/MTIO C8C	P43_2	Carrier Board Connector Connected to PMOD	P108	GPIO0
B17	P43_3/RSPI0_SSL/G TIOC5B/IRQ7/MTIOC 8D	IRQ7	Carrier Board Connector Connected to PMOD1	P118	GPIO10
B18	P44_0/RSPI1_CK/SSI 1_BCK/CAN1_TX/MTI OC3A/GTIOC6A	P44_0	Carrier Board Connector Connected to PMOD0 or CAN1 with signal switch IC	P56 P146	SPI1_CK CAN1_TX
C17	P44_1/RSPI1_MOSI/ SSI1_RCK/CAN1_RX /MTIOC3B/GTIOC6B	P44_1	Carrier Board Connector Connected to PMOD0 or CAN1 with signal switch IC	P57 P145	SPI1_DIN CAN1_RX
A18	P44_2/RSPI1_MISO/ SSI1_TXD/CAN1_TX_ DATARATE_EN/MTI OC3C/GTIOC7A	P44_2	Carrier Board Connector Connected to PMOD0 or GPIO8 with signal switch IC	P58 P116	SPI1_DO GPIO8
C18	P44_3/RSPI1_SSL/S S11_RXD/CAN1_RX_ DATARATE_EN/MTI OC3D/GTIOC7B	P44_3	Carrier Board Connector Connected to PMOD0 or GPIO9 with signal switch IC	P54 P117	ISPI1_CS0 # GPIO9

Table 2.2 List of RZ/G2LC Pin Function Selection Used on the RTK9744C22C01000BE (17/17)

Pin Location	Pin Name	Pin Function	Description	SMARC Pin No.	SMARC Pin Name
A10	P45_0/SSI0_BCK/PO E0_N/SCI1_RXD	SSI0_BCK	Carrier Board Connector, Connected to Audio Codec or MPI DSI to HDMI bridge device with switch IC	S42 S53	I2S0_CK I2S2_CK
C10	P45_1/SSI0_RCK/PO E4_N/SCI1_TXD	SSI0_RCK	Carrier Board Connector, Connected to Audio Codec or MPI DSI to HDMI bridge device with switch IC	S39 S50	I2S0_LRCK I2S2_LRCK
B11	P45_2/SSI0_TXD/PO E8_N/SCI1_SCK	SSI0_TXD	Carrier Board Connector, Connected to Audio Codec or MPI DSI to HDMI bridge device with switch IC	S40 S51	I2S0_SDO UT I2S2_SDO UT
A11	P45_3/SSI0_RXD/PO E10_N/SCI1_CTS_N_ RTS_N	SSI0_RXD	Carrier Board Connector, Connected to Audio Codec or MPI DSI to HDMI bridge device with switch IC	S41 S52	I2S0_SDIN I2S2_SDIN
AD4	P5_0/USB0_OVRCU R/SCIF2_SCK/MTIOC 7C/SSI2_BCK	USB0_OVRCUR	Carrier Board Connector, Include gate USB0_OVRCUR state	P62	USB0_EN_ OC#
AE3	P5_1/USB0_OTG_ID/ SCIF2_CTS/MTIOC7 D/SSI2_RCK	USB0_OTG_ID	Carrier Board Connector, USB0_OTG_ID state	P64	USB0_OTG _ID
AE4	P5_2/USB0_OTG_EX ICEN/SCIF2_RTS/SSI 2_DATA	P5_2	Carrier Board Connector, Used as CAM1_RST#	P111	GPIO3

2.3 Memory

In addition to QSPI flash memory and DDR4 SDRAM are mounted in RTK9744C22C01000BE as external memory.

Refer to the following for details

2.3.1 QSPI Flash Memory

Figure 2.1 shows a block diagram of the QSPI interface.

The QSPI flash memory is controlled by the SPI multi-I/O bus controller (SPIBSC) with built-in RZ/G2LC. This memory supports operation at 66 MHz clock frequency.

NOTE

As for the pull-up resistor of the clock line "RZ_QSPI0_SPCLK", please put the resistor as you wish.

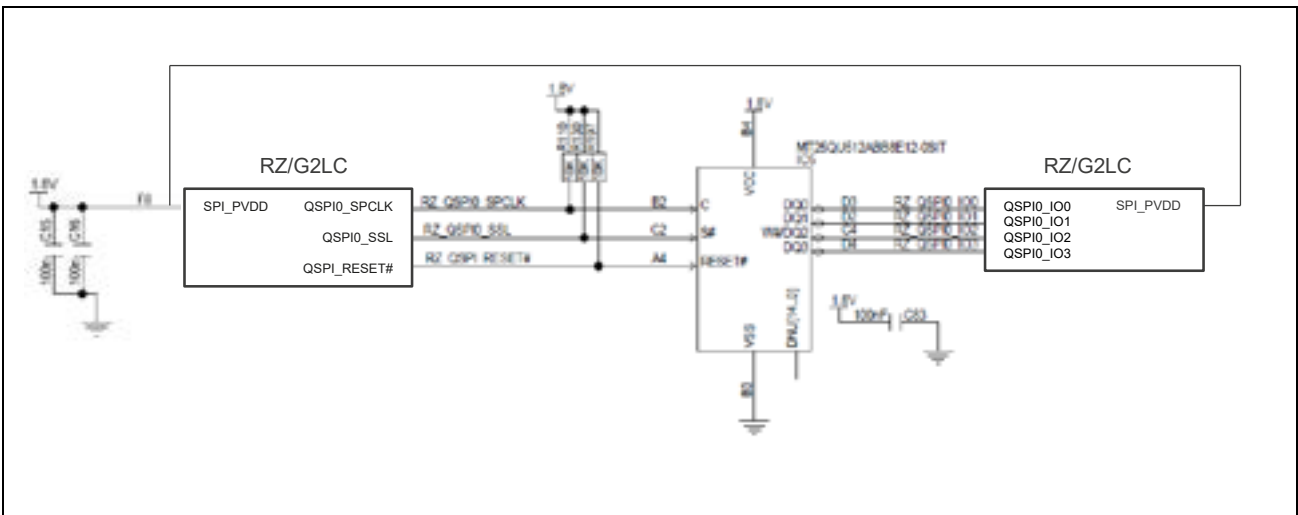


Figure 2.1 Block Diagram of QSPI I/F

2.3.2 DDR4 SDRAM

Figure 2.2 shows a block diagram of the DDR4 SDRAM interface.

The DDR4 SDRAM is controlled by the memory controller (MEMC) with built-in RZ/G2LC. This interface supports a data bus width of 16-bit and a data transfer rate of 1600Mbps.

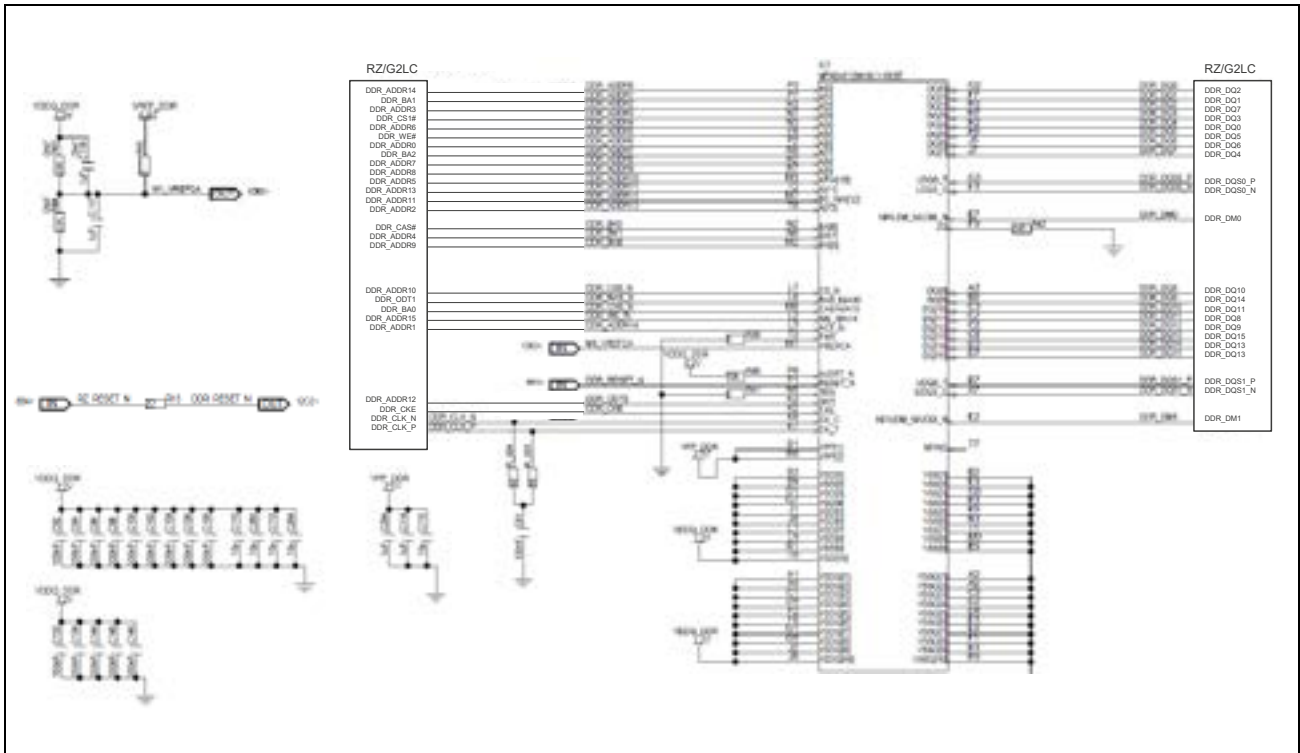


Figure 2.2 Block Diagram of DDR4 SDRAM

2.4 Gigabit Ethernet Interface

Figure 2.3 shows a block diagram of Ethernet0 interface.

RTK9744C22C01000BE is implemented the Ethernet PHY with RGMII support. This interface complies with IEEE802.3 PHY RGMII and IEEE802.3 PHYMII.

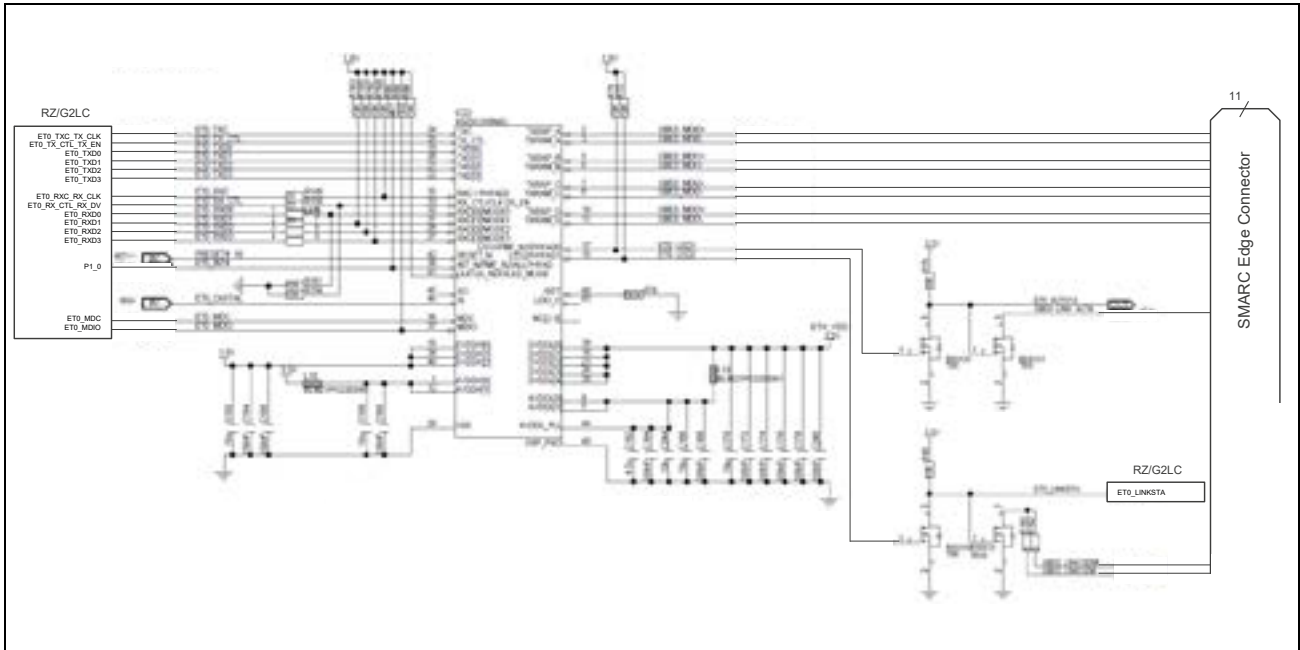


Figure 2.3 Block Diagram of Ethernet0 I/F

2.5 Clock Configuration

Figure 2.4 shows a block diagram of the Clock configuration.

NOTE

MIPI-DSI Interface supports operation up to Full HD, 60fps mode.

SD Interface supports UHS-I mode of 50MB/s (SDR50) and 104MB/s (SDR104).

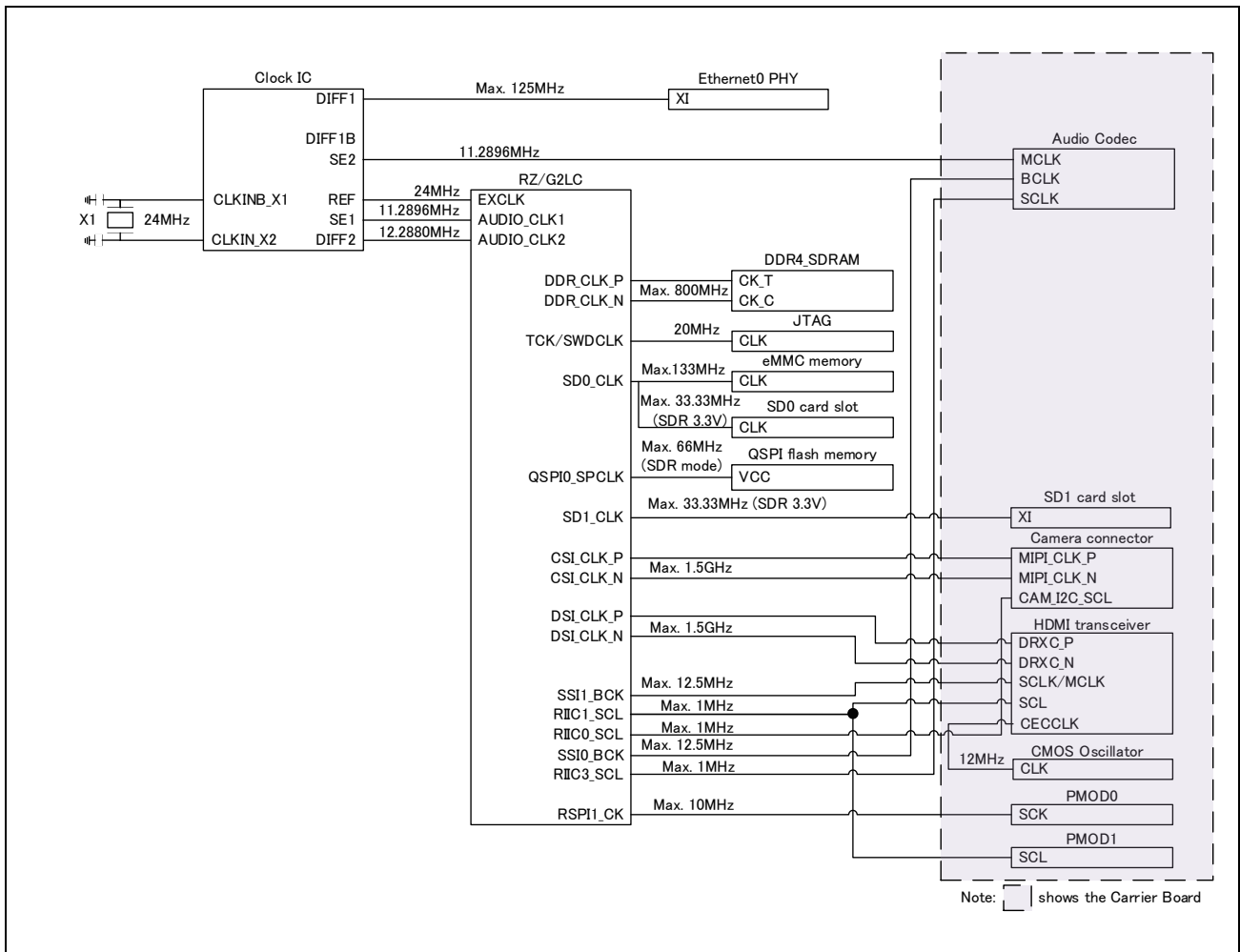


Figure 2.4 Block Diagram of Clock Configuration

2.6 Reset Control

Figure 2.5 shows block diagrams of a reset control for RTK9744C22S01000BE (RZ/G2LC Evaluation Board Kit).

For RTK9744C22C01000BE, the interfaces of DDR4 SDRAM, QSPI flash memory, eMMC memory, Ethernet and Debug are controlled by reset signal from the PMIC.

There are two types of system resets: power-on reset and reset by the button switch.

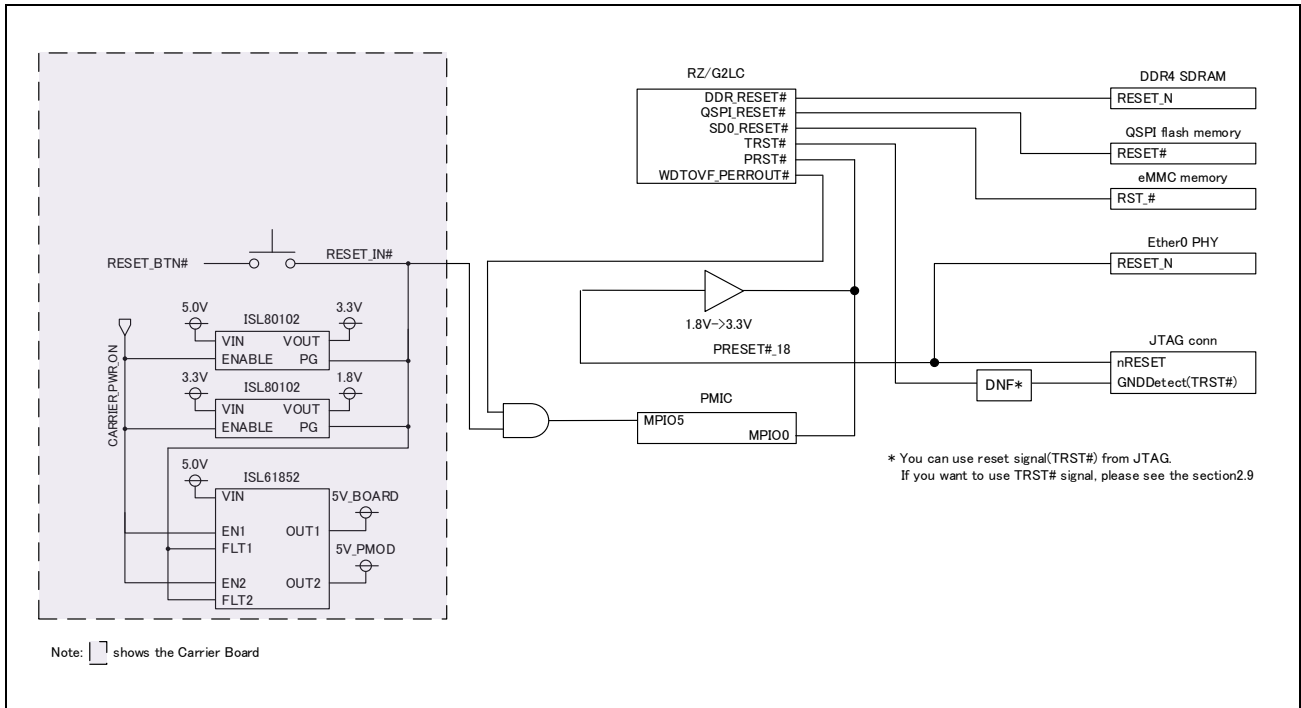


Figure 2.5 Block Diagram of Reset Control

2.7 Power Supply Configuration

Figure 2.6 shows a block diagram of power configuration for RTK9744C22S01000BE (RZ/G2LC Evaluation Board Kit).

This board has a USB Type-C receptacle for power input with USB Power Delivery. The input voltage of VBUS can be selected between 5V and 9V.

The default setting for controlling the input voltage level is 5V (max 3A input) with SW11-4 is turned on. When the switch is turned off, the input voltage is 9V (max 3A input). Only when RTK9744C22S01000BE is connected to external devices that requires a lot of power and is expected to run out of power, the SW 11-4 is turned off.

The 5V power supply is supplied to the PMIC installed in RTK9744C22C01000BE, and the PMIC generates the power supply voltage for each interface.

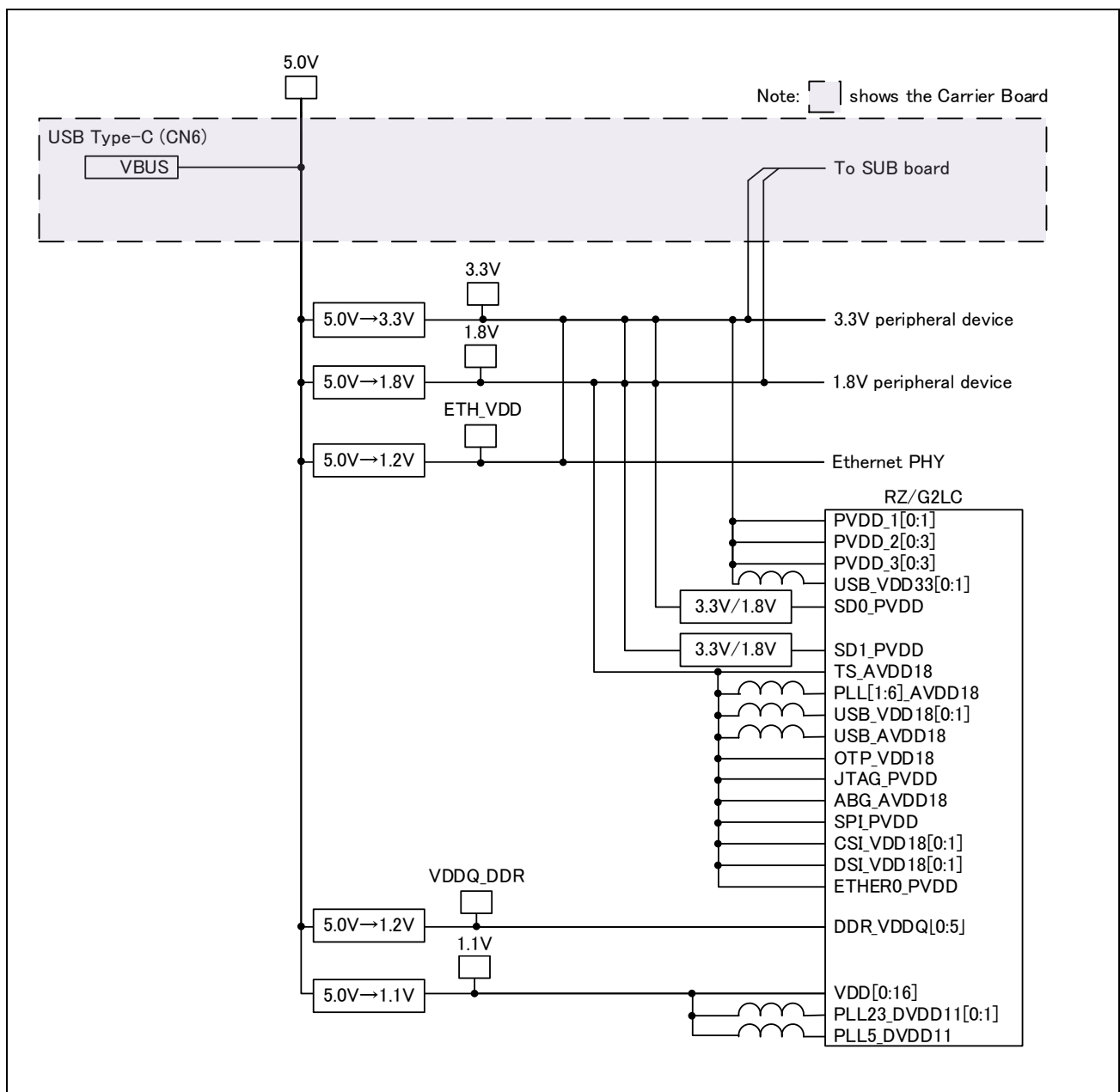


Figure 2.6 Power Configuration Diagram

Figure 2.7 shows a block diagram of power regulation for RTK9744C22C01000BE.

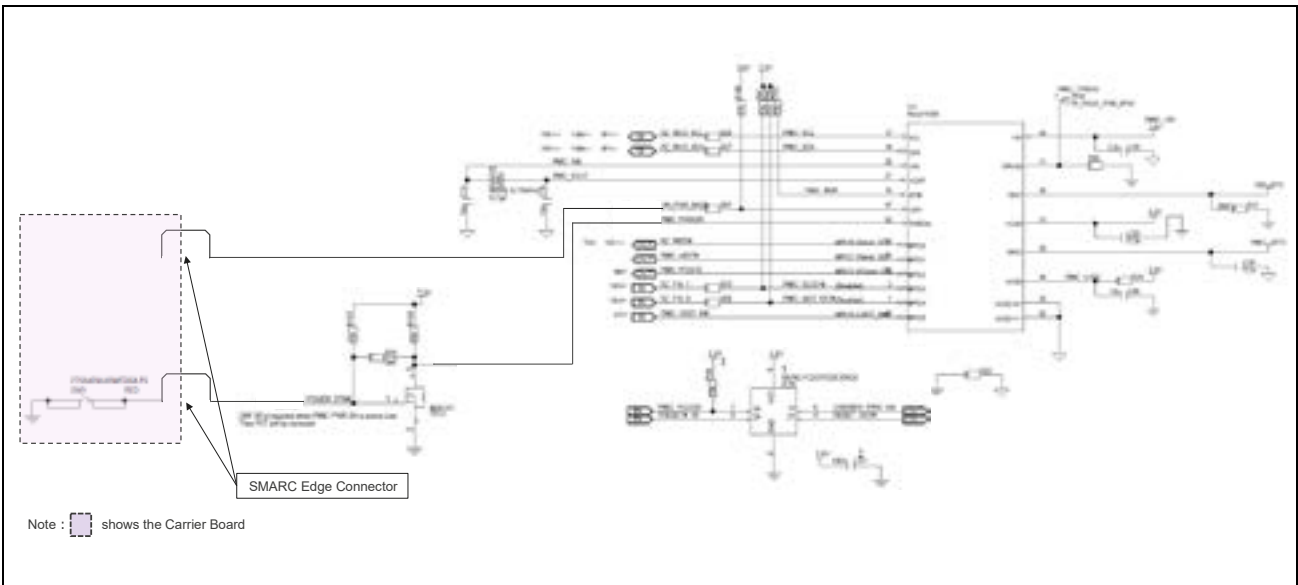


Figure 2.7 Block Diagram of Power Regulation

2.8 PMIC

Figure 2.8 shows the RZ/G2LC pin assignment for PMIC.

LDO1 and LDO2 output voltage value are fixed by P39_0 and P39_1.

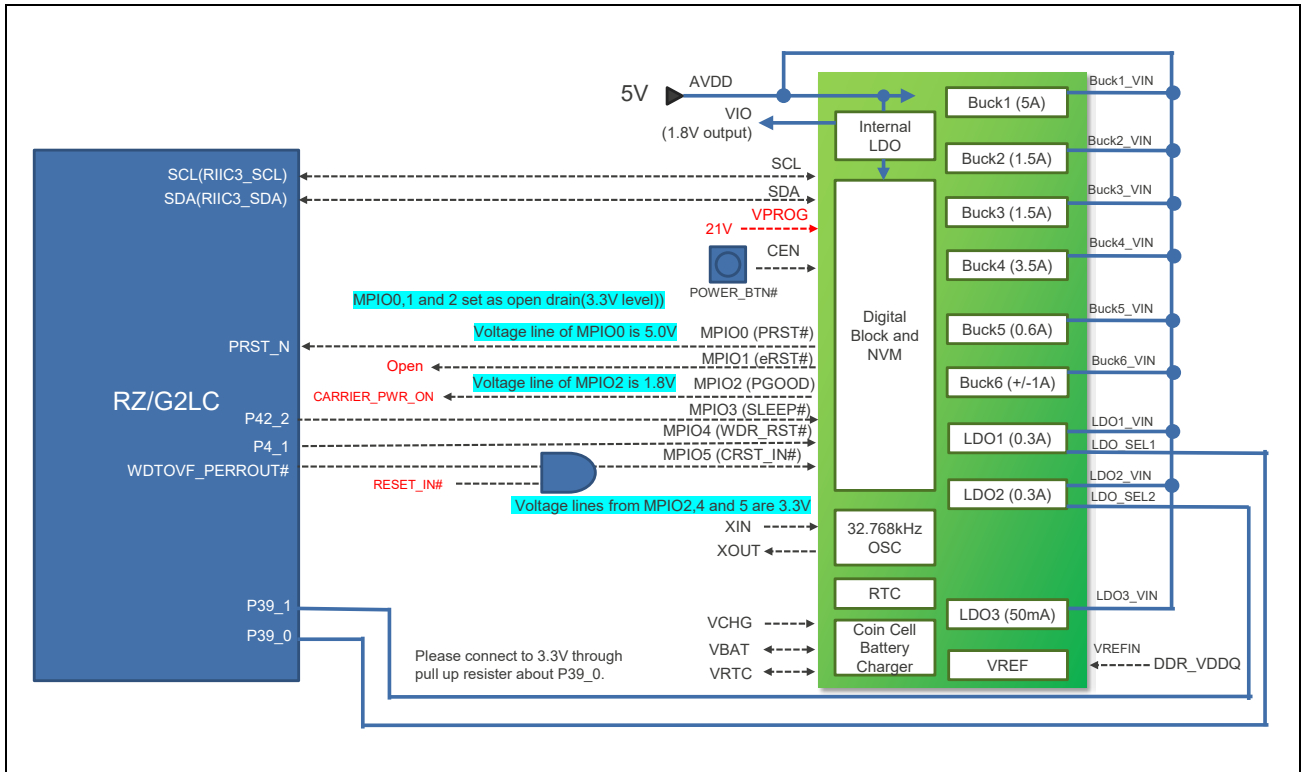


Figure 2.8 Block Diagram around PMIC

2.9 Debug Interface

Figure 2.9 shows a block diagram of JTAG interface.

RTK9744C22C01000BE is implemented the 10-pin pin header for connection to the Debug interface. This interface is based on the ARM CORESIGHT architecture.

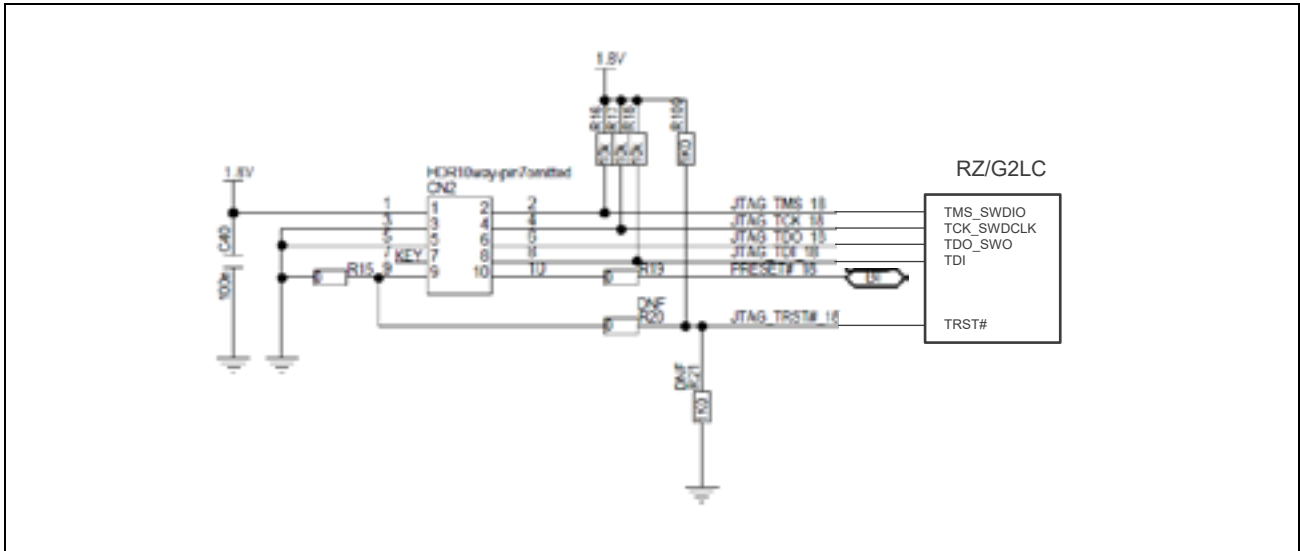


Figure 2.9 Block Diagram of Debug I/F

2.10 SD/MMC Host Interface

2.10.1 eMMC Memory

Figure 2.10 shows a block diagram of the eMMC interface.

The eMMC memory is connected to channel0 of SD/MMC interface with built-in RZ/G2LC. This memory is used in conjunction with SD card.

This interface complies with the JEDEC standard version 4.5.1 and supports HS200 mode.

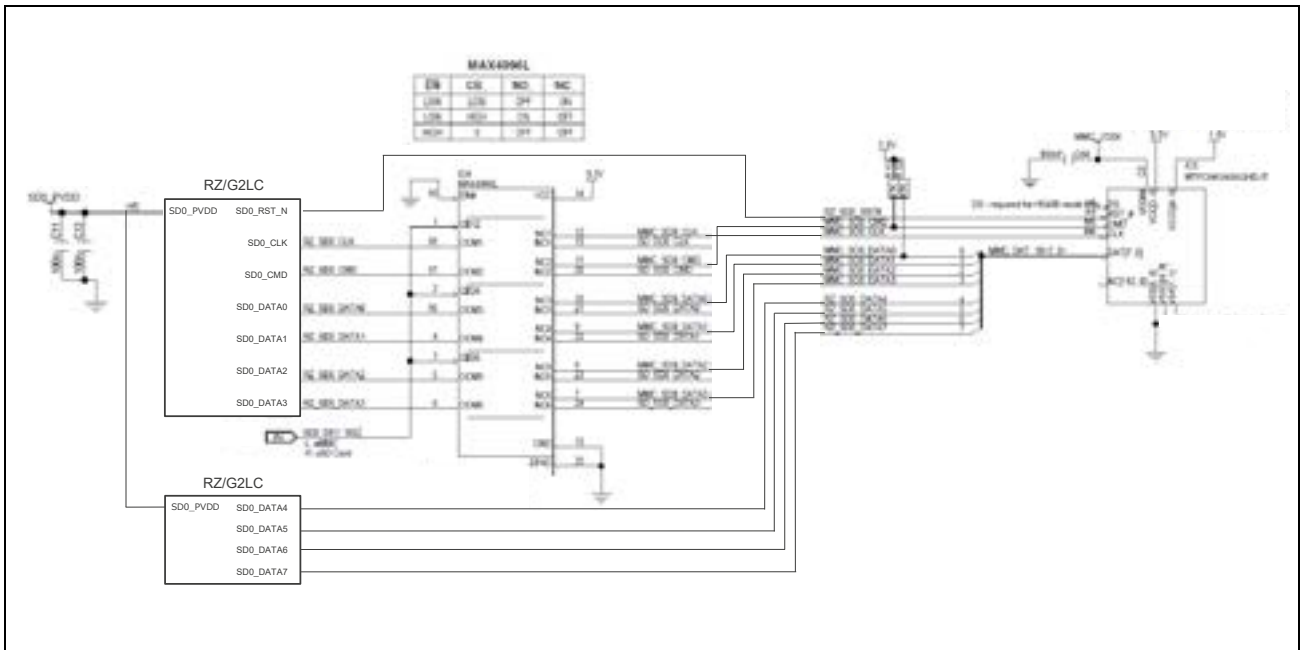


Figure 2.10 Block Diagram of eMMC I/F

2.10.2 SD Card

Figure 2.11 shows a block diagram of the SD0 interface.

The microSD card is connected to channel0 of SD/MMC interface with built-in RZ/G2LC. This memory is used in conjunction with eMMC memory.

This interface complies with the memory card standard version 3.0 and supports UHS-I mode of 50MB/s (SDR50) and 104MB/s (SDR104).

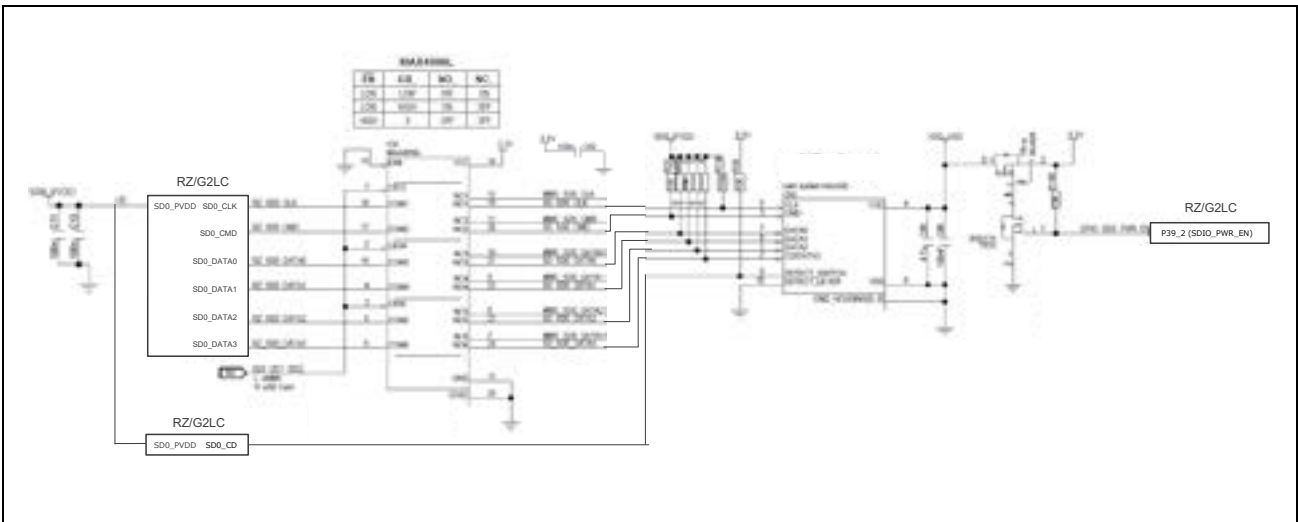


Figure 2.11 Block Diagram of SD0 I/F

3. Operation Specifications

3.1 Overview of Connectors

Figure 3.1 Illustrates the layout of connectors of RTK9744C22C01000BE.

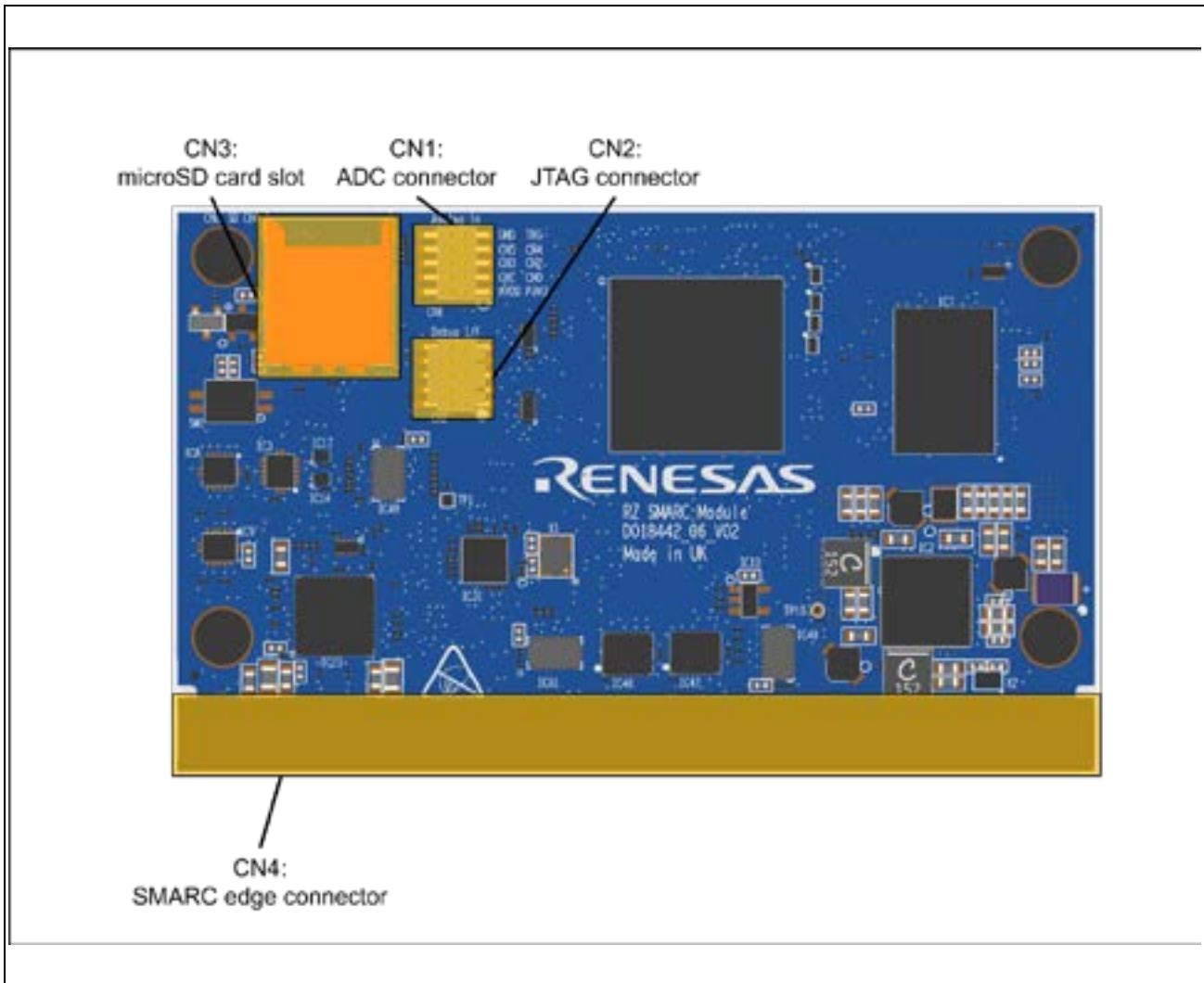


Figure 3.1 Layout of connectors of RTK9744C22C01000BE (Top side)

NOTE

Layout is RTK9744L23C01000BE (RZ/G2L SMARC Module Board)

3.1.1 ADC Connector (CN1)

RTK9744C22C01000BE contains an ADC connector (CN1).

Figure 3.2 illustrates the layout of ADC connector pins. **Table 3.1** shows the assignment of ADC connector pins.

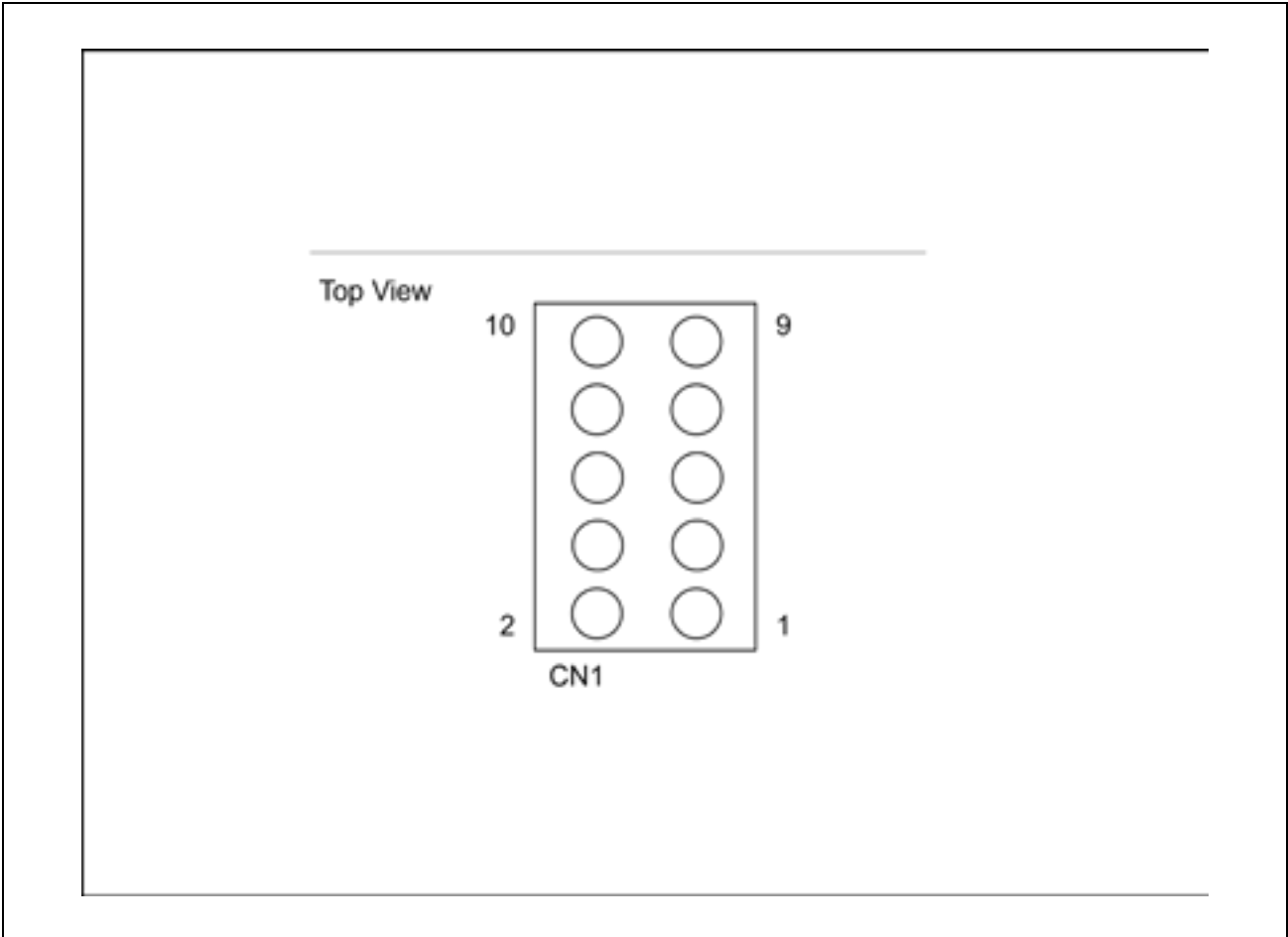


Figure 3.2 ADC Connector (CN1) Pin Layout Diagram

Table 3.1 ADC Connector (CN1) Pin Layout Table

Pin	Signal Name
1	PVDD
2	ADC_AVDD18
3	ADC_CH0
4	ADC_CH1
5	ADC_CH2
6	ADC_CH3
7	ADC_CH4
8	ADC_CH5
9	ADC_TRG
10	VSS

3.1.2 JTAG Connector (CN2)

RTK9744C22C01000BE contains a JTAG connector (CN2).

Figure 3.3 illustrates the layout of JTAG connector pins. **Table 3.2** shows the assignment of JTAG connector pins.

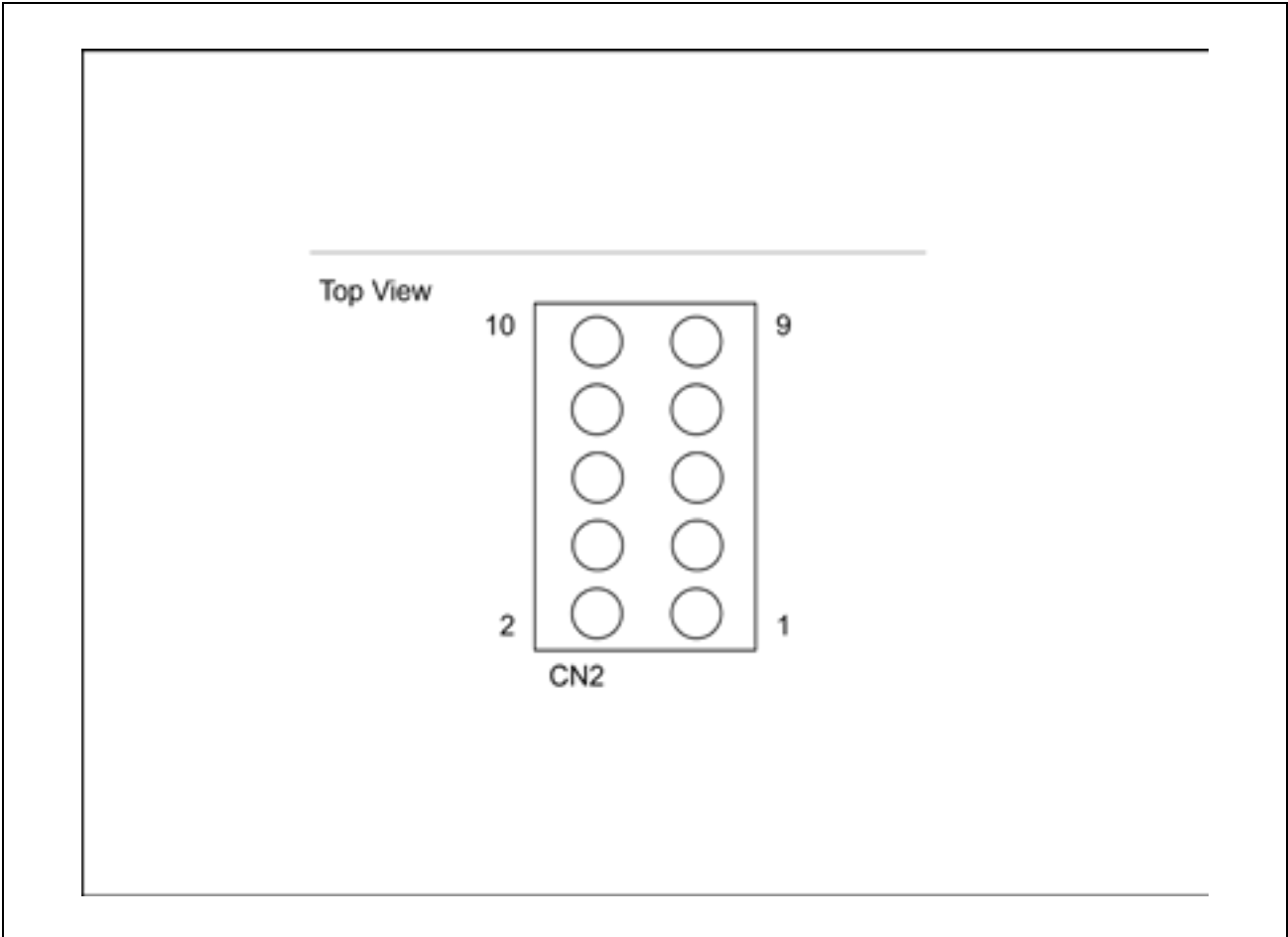


Figure 3.3 JTAG Connector (CN2) Pin Layout Diagram

Table 3.2 JTAG Connector (CN2) Pin Layout Table

Pin	Signal Name
1	PVDD18
2	TMS/SWDIO
3	VSS
4	TCK/SWDCLK
5	VSS
6	TDO
7	—
8	TDI
9	VSS
10	TRST#

3.1.3 MicroSD Card Slot (CN3)

RTK9744C22C01000BE contains a microSD card slot (CN3).

Figure 3.4 illustrates the layout of microSD card slot pins. Table 3.3 shows the assignment of microSD card slot pins.

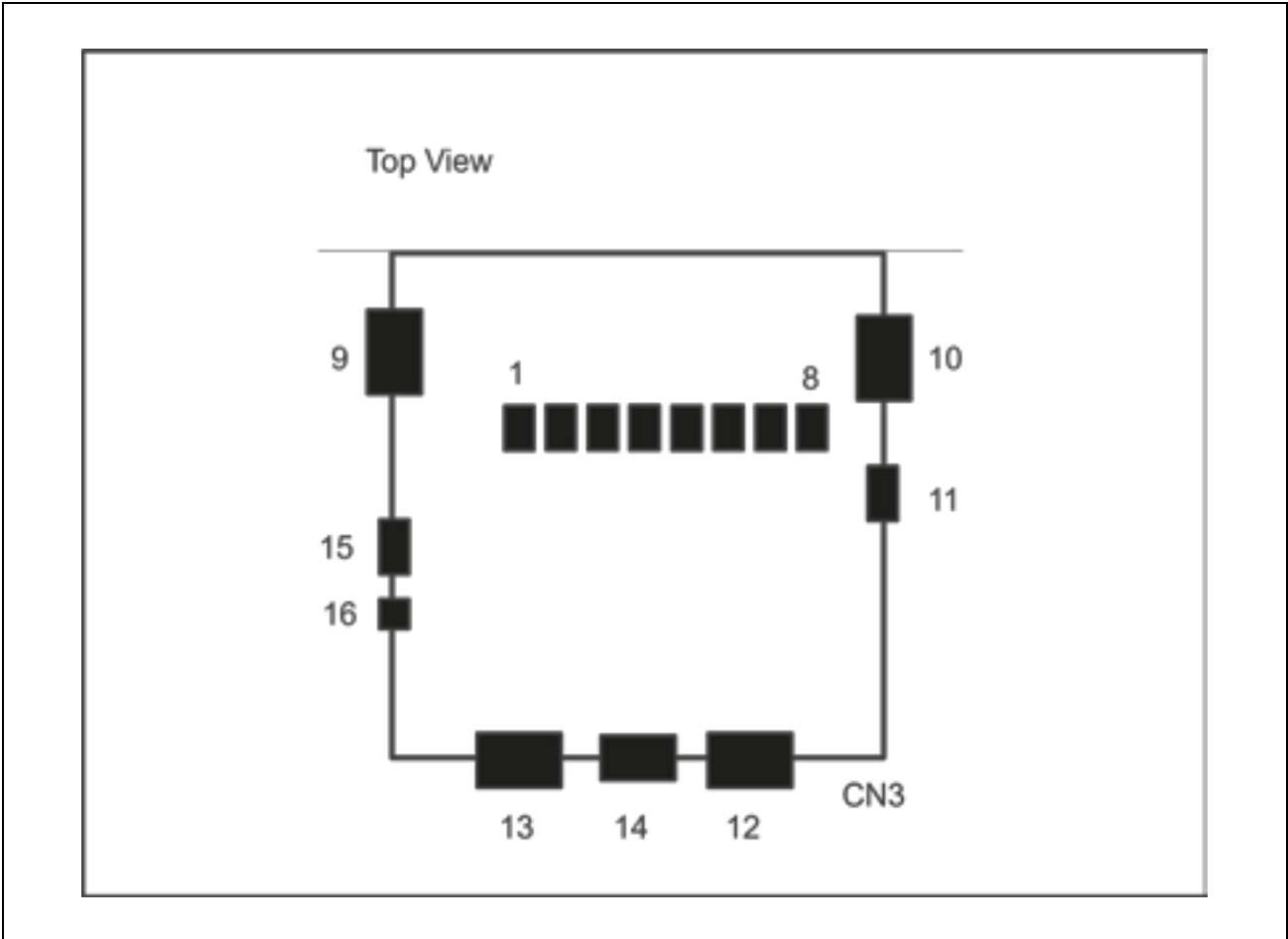


Figure 3.4 microSD Card Slot (CN3) Pin Layout Diagram

Table 3.3 microSD Card Slot (CN3) Pin Layout Table

Pin	Signal Name
1	SD0_DATA2
2	CD/SD0_DATA3
3	SD0_CMD
4	SD0_PVDD
5	SD0_CLK
6	VSS
7	SD0_DATA0
8	SD0_DATA1
9	DETECT_SWITCH
10	DETECT_LEVER

3.1.4 SMARC edge Connector (CN4)

RTK9744C22C01000BE can be connected to an external expansion board through the Carrier board connecting connector (CN4).

Figure 3.5 illustrates the layout of Carrier board connecting connector pins. For the assignment of Carrier board connecting connector pins, please refer to the section4 “MODULE PIN-OUT MAP” of the document “SMARC module 2.1 Specification (sget.org)”.

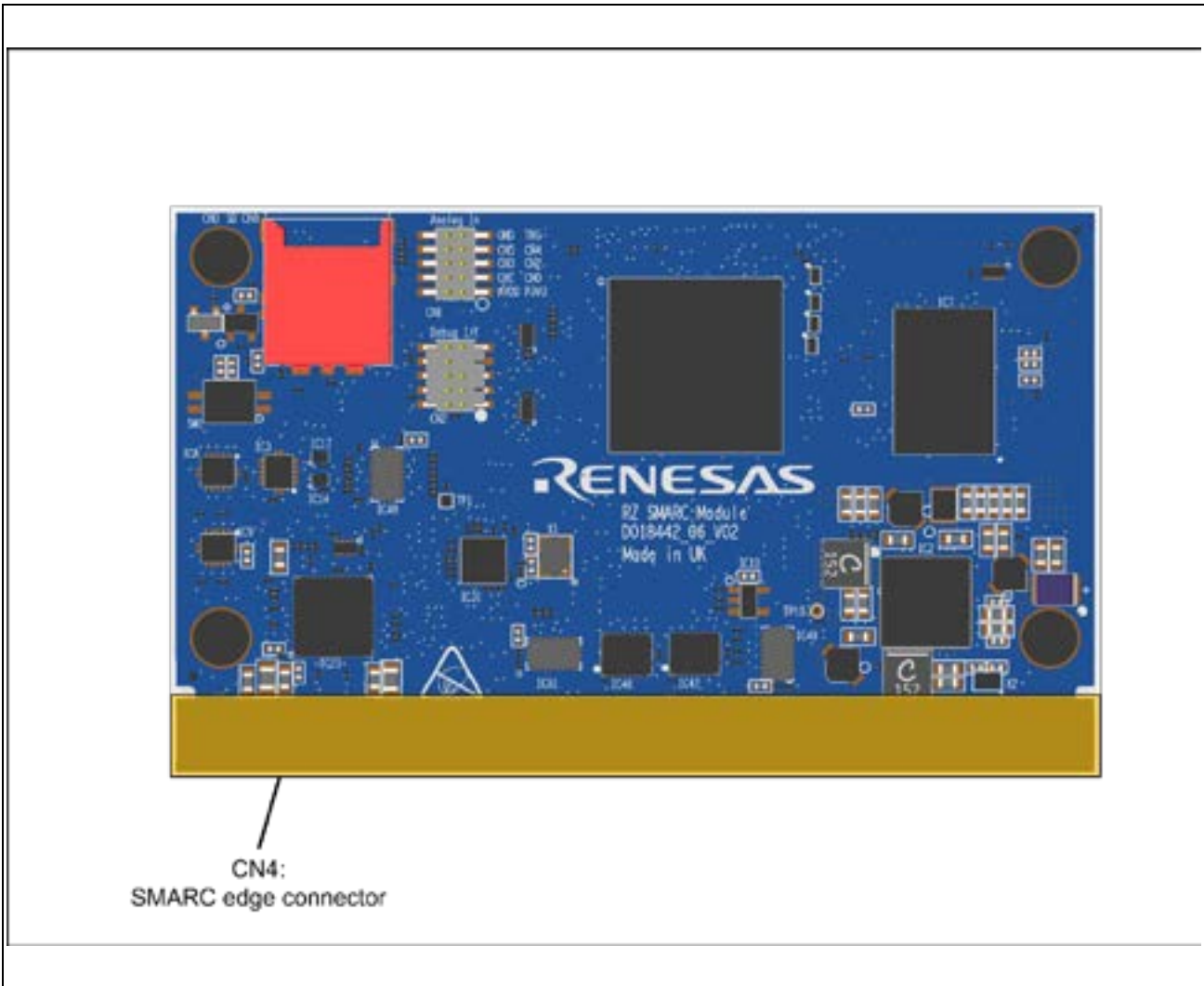


Figure 3.5 Layout of Carrier Board Connecting Pins

3.2 Layout of Operation Components

Figure 3.6 illustrates the layout of operation components of RTK9744C22C01000BE.

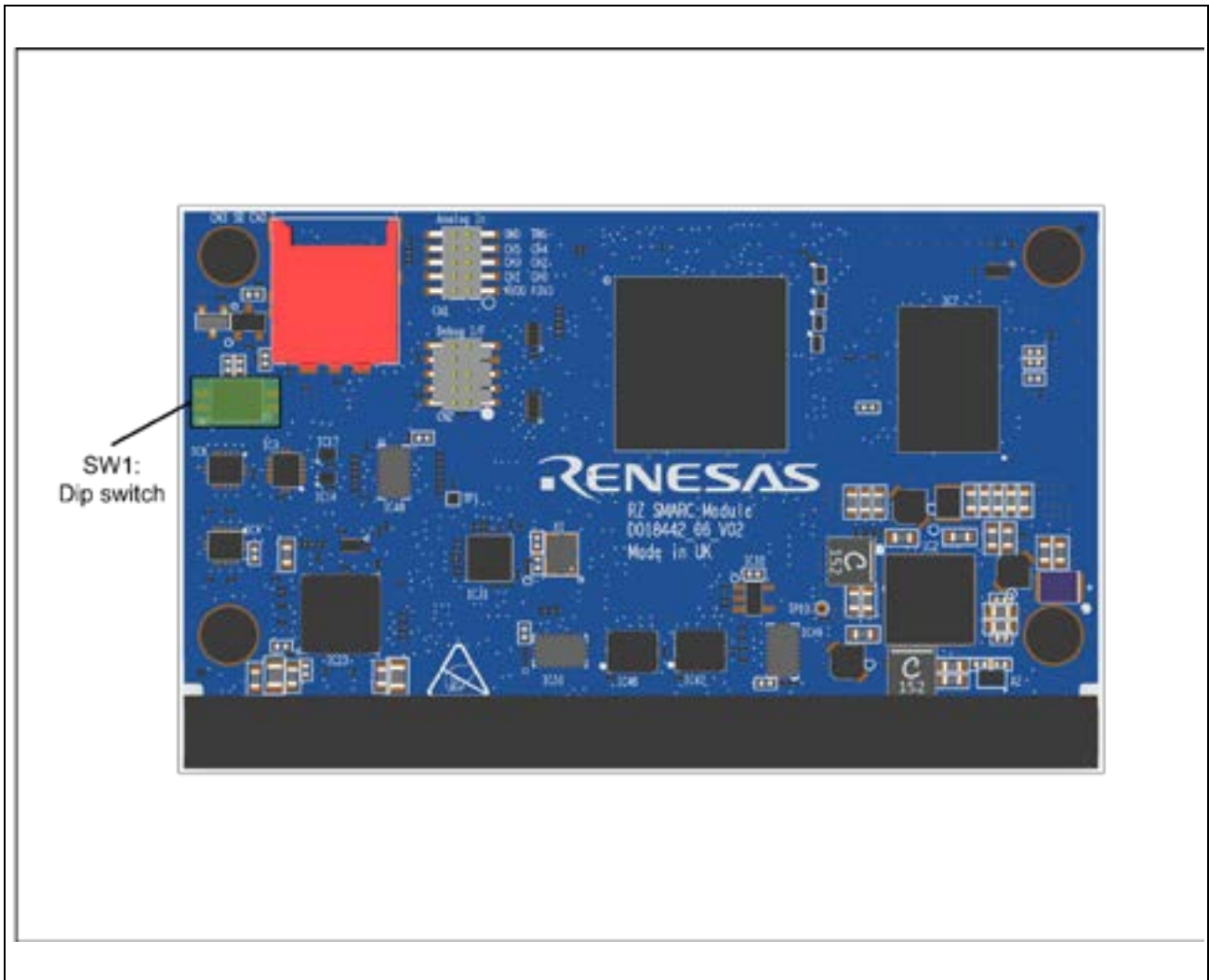


Figure 3.6 Layout of Operation Components of RTK9744C22C01000BE

NOTE

The above layout is used RTK9744L23C01000BE (RZ/G2L SMARC Module Board)

3.2.1 Functions of Switches and Mode Terminals

RTK9744C22C01000BE contains one switch.

Table 3.4 lists mounted switches. **Table 3.5** provides a function of each DIP switch.

Table 3.4 Switches Mounted on RTK9744C22C01000BE

No.	Function	Note
SW1	System setting DIP switch	For details, see Table 3.5

Table 3.5 Functions of System Setting DIP Switch (SW1)

No.	Setting	Function
SW1-1 DEBUGEN	OFF DEBUGEN="H"	Debugging with ARM debuggers
	ON DEBUGEN="L"	Normal operation
SW1-2 Selection SD or MMC	OFF Selection="H"	Select the eMMC memory
	ON Selection="L"	Select the SD card
SW1-3 Selection SCIF or CAN	OFF Selection="H"	Select the SCIF
	ON Selection="L"	Select the CAN
SW1-4 Selection RSPI or CAN	OFF Selection="H"	Select the RSPI
	ON Selection="L"	Select the CAN
SW1-5 Selection Audio or Display	OFF Selection="H"	Select the Audio
	ON Selection="L"	Select the Display

By setting SW1-3 and SW1-4 to the following settings, RTK9744C22C01000BE can be used various I/Fs. **Table 3.6** provides functions combined with the DIP switches.

Table 3.6 Functions combined with SW1-3 and SW1-4

		Setting			
		SW1-3 ="L"	SW1-3 ="L"	SW1-3 ="H"	SW1-3 ="H"
		SW1-4 ="L"	SW1-4 ="H"	SW1-4 ="L"	SW1-4 ="H"
Signal Name	P40_0	SCIF1_TXD	SCIF1_TXD	CAN1_TX	CAN1_TX
	P40_1	SCIF1_RXD	SCIF1_RXD	CAN1_RX	CAN1_RX
	P44_0	RSPI1_CK	CAN1_TX	RSPI1_CK	RSPI1_CK (*1)
	P44_1	RSPI1_MOSI	CAN1_RX	RSPI1_MOSI	RSPI1_MOSI (*1)
	P44_2	RSPI1_MISO	GPIO8	RSPI1_MISO	RSPI1_MISO (*1)
	P44_3	RSPI1_SSL	GPIO9	RSPI1_SSL	RSPI1_SSL (*1)

Note 1. IC13 is driven low regardless of the setting of SW1-4.
By removing R11, the setting of SW1-4 can be enabled.

Figure 3.7 shows a block diagram of the System Setting interface. Table 3.7 provides functions of mode terminals.

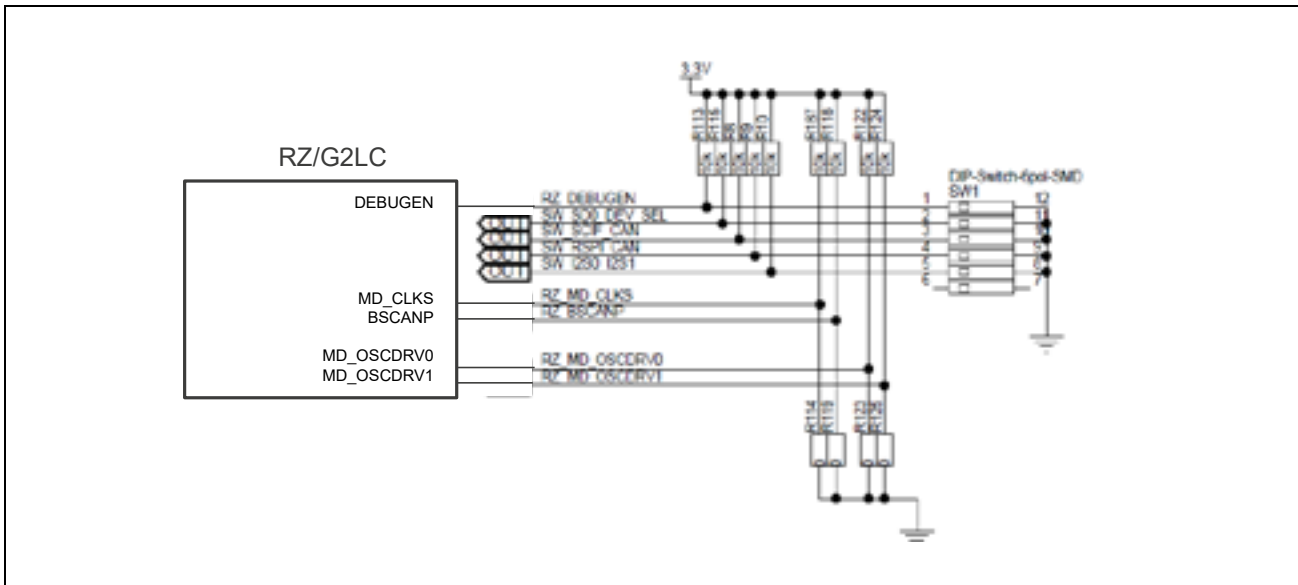


Figure 3.7 Block Diagram of System Setting I/F

Table 3.7 Functions of System Setting

No.	Setting	Function
MD_CLKS	0 MD_CLKS="L"	SSCG OFF
	1 MD_CLKS="H"	SSCG ON
BSCANP	0 BSCANP="L"	Normal operation
	1 BSCANP="H"	Connection test between LSI on the customer's board
MD_OSCDRV0	0 MD_OSCDRV0="L"	
	1 MD_OSCDRV0="H"	Not supported
MD_OSCDRV1	0 MD_OSCDRV1="L"	
	1 MD_OSCDRV1="H"	Not supported

REVISION HISTORY	RZ Family / RZ/G Series RZ/G2LC SMARC Module Board RTK9744C22C01000BE
------------------	--

Rev.	Date	Description	
		Page	Summary
1.00	Sep 27, 2021	—	First edition issued

RZ Family / RZ/G Series User's Manual: Hardware

Publication Date: Rev.1.00 Sep 27, 2021

Published by: Renesas Electronics Corporation

RZ Family / RZ/G Series