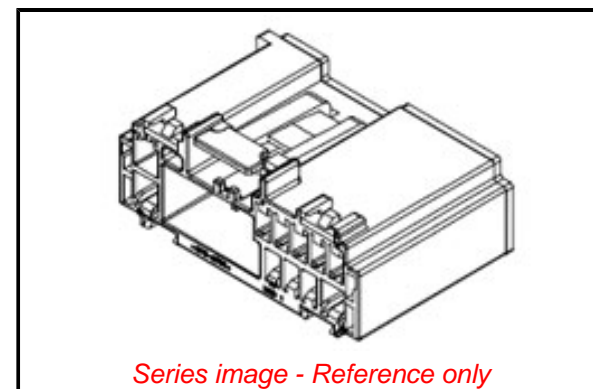


PLEASE CHECK WWW.MOLEX.COM FOR LATEST PART INFORMATION

Part Number: **0307001245**
Status: **Active**
Overview: H-DAC 64 Unsealed Connector System
Description: 2.54mm, 3.50mm Pitch, H-DAC 64 Hybrid Female Harness Assembly, 24 Circuits, Polarization Option B without Bridge, Black

Documents:

| | |
|--|--|
| 3D Model | Application Specification AS-30700-000-001 (PDF) |
| 3D Model (PDF) | Packaging Specification PK-30907-417-001 (PDF) |
| Drawing (PDF) | RoHS Certificate of Compliance (PDF) |
| Product Specification PS-30968-024-001 (PDF) | |



General

| | |
|----------------|--|
| Product Family | Crimp Housings |
| Series | 30700 |
| Application | Automotive, Power, Wire-to-Board, Wire-to-Wire |
| Comments | Polarization Option B |
| Overview | H-DAC 64 Unsealed Connector System |
| Polarization | B |
| Product Name | H-DAC 64 |
| UPC | 822348728824 |

Physical

| | |
|-------------------------------|--------------------------------|
| Circuits (maximum) | 24 |
| Color - Resin | Black |
| Gender | Receptacle |
| Glow-Wire Capable | No |
| Lock to Mating Part | Yes |
| Material - Resin | High Performance Thermoplastic |
| Net Weight | 13.050/g |
| Number of Rows | 2 |
| Packaging Type | Bag |
| Panel Mount | No |
| Pitch - Mating Interface | 2.54mm, 3.50mm |
| Polarized to Mating Part | Yes |
| Stackable | No |
| Temperature Range - Operating | -40° to +100°C |

Electrical

| | |
|-------------------------------|------|
| Current - Maximum per Contact | 7.0A |
|-------------------------------|------|

Solder Process Data

| | |
|-----------------------------|-----|
| Lead-freeProcess Capability | N/A |
|-----------------------------|-----|

Material Info

Reference - Drawing Numbers

| | |
|---------------------------|------------------|
| Application Specification | AS-30700-000-001 |
| Packaging Specification | PK-30907-417-001 |
| Product Specification | PS-30968-024-001 |

EU ELV

Compliant

EU RoHS

Compliant

REACH SVHC

Not Contained Per -
D(2021)4569-DC (8
July 2021)

Halogen-Free

Status

Not Relevant

For more information, please visit [Contact US](#)

China ROHS

Not Relevant

ELV

Compliant

RoHS Phthalates

Not Contained

Search Parts in this Series

[30700 Series](#)

Mates With

H-DAC 64 Header [307004241](#) , [307005241](#) ,
[307005245](#) , Crimp Housing [309681248](#)

Use With

Use [33012](#) MX150 Female Terminal for 1.50mm system.

Contact Molex for terminal information for 0.64mm and 2.80mm systems.