

# AIR PRESSURE REGULATOR FOR HIGH FLOW APPLICATIONS

Up to 80 scfm

## PRG700 Series



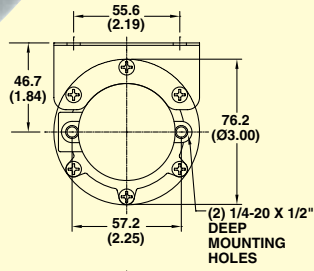
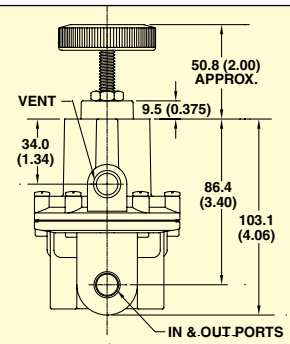
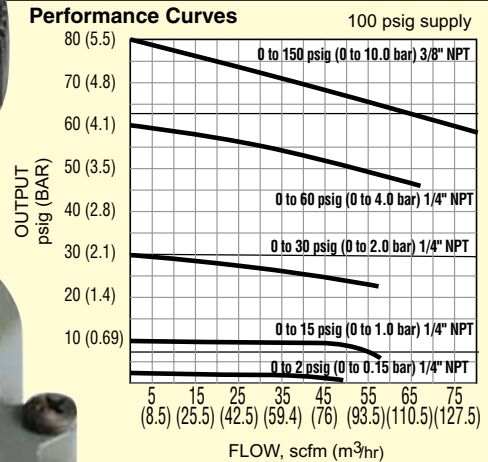
PRG700-2, shown  
actual size.

- ✓ High Flow Capacity—  
Up to 80 scfm
- ✓ Output Pressure  
Insensitive to Flow  
Changes
- ✓ Can be Serviced Without  
Removing From Air Line
- ✓ Insensitive to Changes  
in Flow

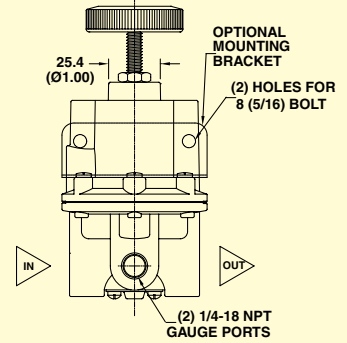
The OMEGA PRG700 Series regulators are designed for applications that require high flow capacity and accurate process control. A poppet valve balanced by a rolling diaphragm insures a constant output pressure even during wide supply pressure variations. Stability of regulated pressure is maintained under varying flow conditions through the use of an aspirator tube, which adjusts the air supply in accordance with the flow velocity.



### Performance Curves



Dimensions:  
mm (inch)  
Ø = diameter



## SPECIFICATIONS

- Flow Capacity:** See performance curves
- Exhaust Capacity:** 4 scfm [outlet pressure 5 psi > set pressure]
- Sensitivity:** 1/8" (3.2 mm) H<sub>2</sub>O
- Supply Pressure Effect:** < 0.1 psi for 100 psi change
- Air Consumption (Steady State):** From 1.0 to 12.5 scfh
- Supply Pressure:** 250 psig (17.5 bar) maximum
- Operating Temperature:** -40 to 71°C (-40 to 160°F)
- Weight:** 0.74 kg (1.625 lb)
- Mounting:** Pipe, panel, or optional bracket
- Port Sizes:** 1/4 NPT female

## To Order

MODEL NO.	OUTPUT PRESSURE RANGE	
	psi	bar
PRG700-2	0 to 2	0 to 0.15
PRG700-15	0 to 15	0 to 1.0
PRG700-30	0 to 30	0 to 2.0
PRG700-60	0 to 60	0 to 4.0
PRG700-150	0 to 150	0 to 10

## ACCESSORY

MODEL NO.	DESCRIPTION
PRG700-MB	Mounting bracket

Comes complete with operator's manual.

Ordering Example: PRG700-30, high flow regulator with 0 to 30 psi range and 1/4 NPT fittings.