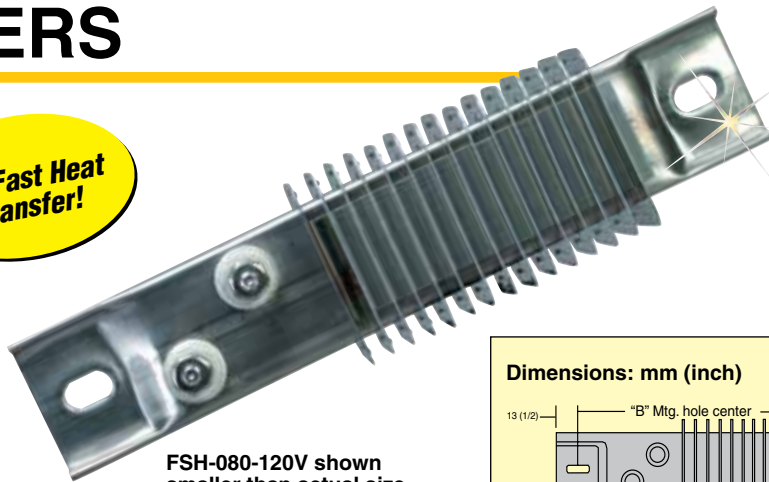


CERAMIC-INSULATED FINNED STRIP HEATERS

FSH Series

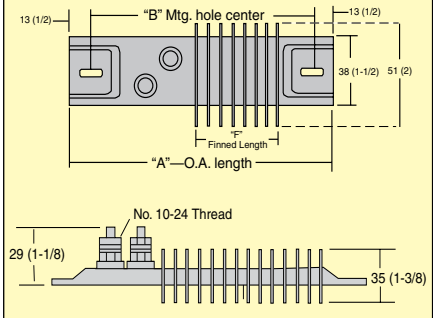
For Fast Heat Transfer!



FSH-080-120V shown smaller than actual size.

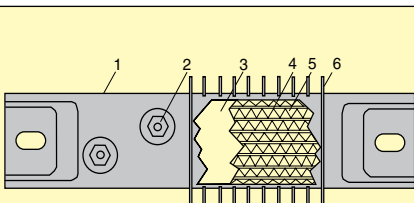
- ✓ Excellent for Use in Air Heating, Air Ovens, and Load Banks
- ✓ Seamless Stainless Steel Sheath
- ✓ Post Terminals
- ✓ Ceramic Element Support
- ✓ Magnesium Oxide Packing

Dimensions: mm (inch)



Formula for Determination of Watt Density

$$\text{Watts/sq. in.} = \frac{\text{Total unit wattage}}{F \text{ (finned length)} \times 3}$$



CONSTRUCTION

1. Seamless stainless steel sheath
2. Post terminals
3. Ceramic element support
4. Element wire situated close to outside surface for maximum heat transfer and minimum internal temperature while preserving good dielectric qualities
5. Magnesium oxide packing
6. Aluminum fins offering maximum radiating surface and providing for rapid heat transfer to the surrounding medium. Stainless steel fins are available for corrosive environments. Aluminum fins are standard.

Tolerances

Length: Up to 610 mm (24"), ±1.6 mm (1/16"); 610 mm (24") and over, ±3.2 mm (1/8")

Wattage: -10 to 5% at rated voltage

Type of Air	Ft./min.	°C (°F)	Max. Watts/Sq. In.
Still	—	Up to 149 (300)	20
Still	—	149 to 315 (300 to 600)	16
Still	—	315 to 427 (600 to 800)	10
Moving	600	Up to 93 (200)	40
Moving	600	93 to 204 (200 to 400)	30
Moving	600	204 to 315 (400 to 600)	20
Moving	1200	Up to 93 (200)	50
Moving	1200	93 to 204 (200 to 400)	35
Moving	1200	204 to 315 (400 to 600)	25

To Order

Model No.	Description	Watts	Dimensions: cm (inch)		
			A	B	F
FSH-080-120V	Finned strip heater	400	20 (8)	18 (7)	8 (3)
FSH-080-240V	Finned strip heater	400	20 (8)	18 (7)	8 (3)
FSH-105-120V	Finned strip heater	300	27 (10.5)	24 (10)	15 (6)
FSH-105-240V	Finned strip heater	300	27 (10.5)	24 (10)	15 (6)
FSH-120-120V	Finned strip heater	500	30 (12)	28 (11)	20 (8)
FSH-120-240V	Finned strip heater	500	30 (12)	28 (11)	20 (8)
FSH-121-120V	Finned strip heater	750	30 (12)	28 (11)	20 (8)
FSH-121-240V	Finned strip heater	750	30 (12)	28 (11)	20 (8)
FSH-150-120V	Finned strip heater	500	39 (15)	36 (14)	27 (11)
FSH-150-240V	Finned strip heater	500	39 (15)	36 (14)	27 (11)
FSH-180-120V	Finned strip heater	750	46 (18)	43 (17)	34 (13)
FSH-180-240V	Finned strip heater	750	46 (18)	43 (17)	34 (13)
FSH-181-120V	Finned strip heater	1250	46 (18)	43 (17)	34 (13)
FSH-181-240V	Finned strip heater	1250	46 (18)	43 (17)	34 (13)
FSH-237-120V	Finned strip heater	1000	60 (24)	58 (23)	48 (19)
FSH-237-240V	Finned strip heater	1000	60 (24)	58 (23)	48 (19)
FSH-357-240V	Finned strip heater	2500	91 (36)	58 (23)	48 (19)

Ordering Examples: FSH-105-120V, finned strip heater.
FSH-181-120V, finned strip heater.