

# Product data sheet

Specifications

SQUARE D

Green Premium™



Timing Relay, Type JCK, plug In, on delay, adjustable time, 0.6 to 60 seconds, 10A, 240 VAC, 24 VAC/DC

9050JCK13V14

## Main

Product range	9050JCK
Product type	Timer
Timing mode	On-delay
Timing range	0.6...60 s
Supply voltage	24 V AC/DC

## Complementary

Power consumption	2 VA
Current rating	10 A
Switch function	DPDT
Contact composition	2 NO + 2 NC
Contact material	Silver nickel
Maximum switching voltage	240 V AC
Mounting type	Socket
Number of pins	8
Shape of pins	Tubular
For use with	8501NR52 8501NR51

## Environment

Certifications	UL recognized UL listed CE
Ambient temperature range - operational	-18...150 °F (-28...66 °C)
Height	2.40 in (61 mm)
Width	1.69 in (43 mm)
Depth	4.09 in (104 mm)

## Packing Units

Unit Type of Package 1	PCE
Number of Units in Package 1	1

<b>Package 1 Weight</b>	4.32 oz (122.47 g)
<b>Package 1 Height</b>	1.90 in (4.826 cm)
<b>Package 1 width</b>	2.60 in (6.604 cm)
<b>Package 1 Length</b>	4.30 in (10.922 cm)

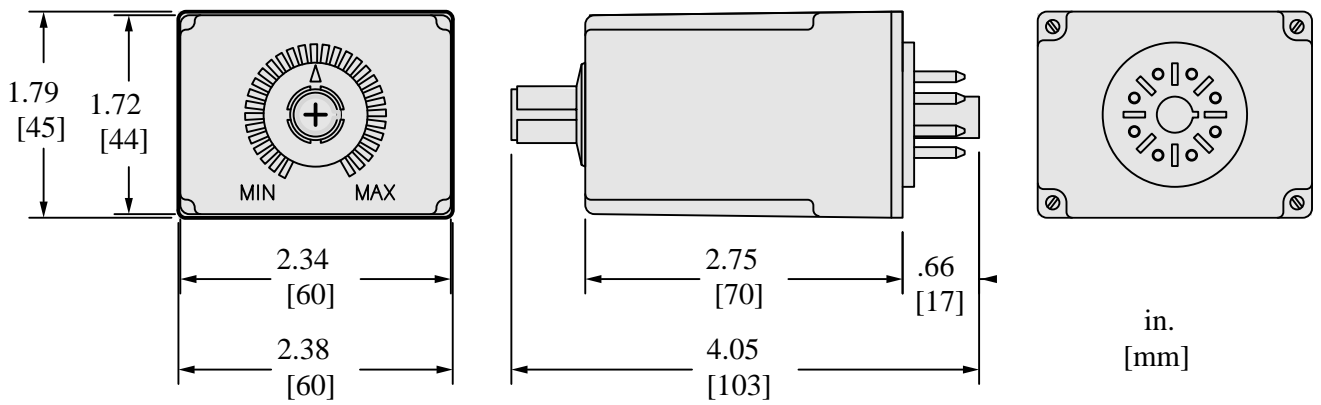
## Offer Sustainability

<b>Sustainable offer status</b>	Green Premium product
<b>REACH Regulation</b>	<a href="#">REACH Declaration</a>
<b>REACH free of SVHC</b>	Yes
<b>EU RoHS Directive</b>	Pro-active compliance (Product out of EU RoHS legal scope) <a href="#">EU RoHS Declaration</a>
<b>Toxic heavy metal free</b>	Yes
<b>Mercury free</b>	Yes
<b>RoHS exemption information</b>	<a href="#">Yes</a>
<b>China RoHS Regulation</b>	<a href="#">China RoHS declaration</a>
<b>Environmental Disclosure</b>	<a href="#">Product Environmental Profile</a>
<b>Circularity Profile</b>	<a href="#">End of Life Information</a>

## Contractual warranty

<b>Warranty</b>	18 months
-----------------	-----------

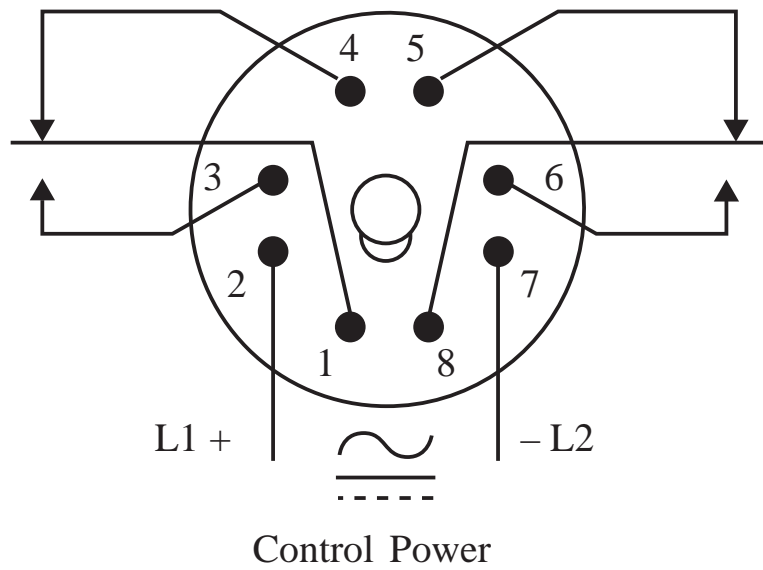
Dimensions



All dimensions are approximate. Also see technical documentation.

Wiring Diagram

---



JCK 11 – JCK19  
JCK31 – JCK39  
JCK51 – JCK59  
JCK60