

NEW



Trans Flash™ (MicroSD™) memory card connector

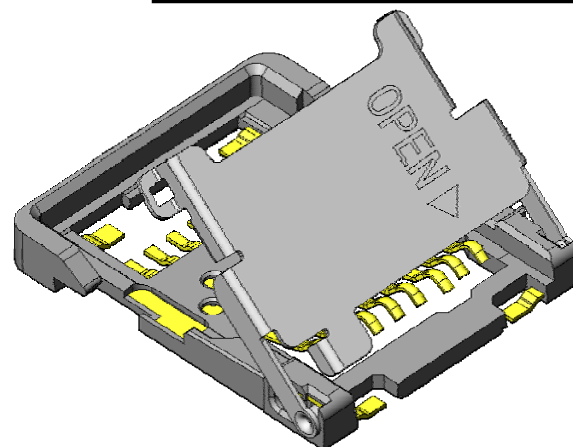
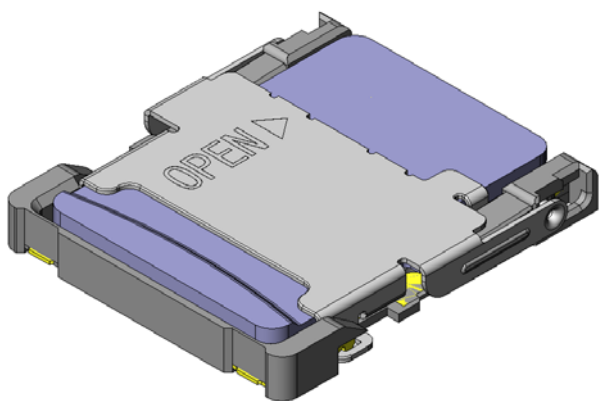
CONNECTOR

MB-0134-2

June 2006

ST1 Series

RoHS Compliant



< Outline >

The ST1 Series are one-piece type connectors for TransFlash™ (microSD™) card. High density SMT mounting type low profile connector compatible with TransFlash™/ (microSD™) cards, standardized by SanDisk Corporation/ (SDA™: SD Card Association) as a compact card for various portable devices.

* TransFlash™ is a trademark of SanDisk Corporation/ microSD™ is a trademark of SD Card Association.

Features

- Push-slide hinge type connector for TransFlash™ / microSD™ memory cards
- Shield characteristic is secured by the 4 ground connection points set up on the hinge cover
- Compact slim design with 1.9mm height, 16.3mm depth and 14.15mm width
- Lock structure prevents coming off of cover caused by falling

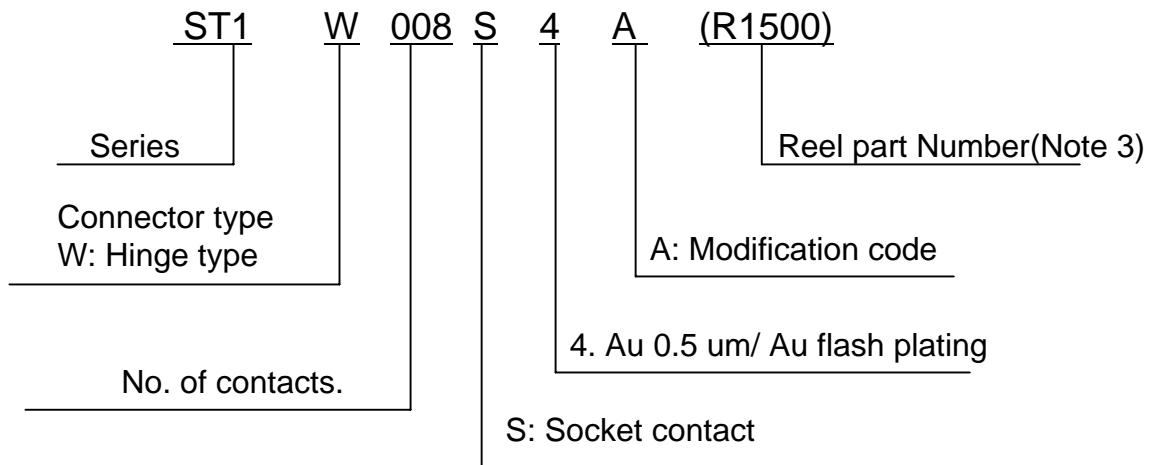
General Specifications

- | | |
|--|---|
| ■ No. of contacts :8 pos. | ■ Rated current: 0.5A/ per pin |
| ■ Contact resistance: 100m ohm max. | ■ Rated voltage: 10V/ per pin |
| ■ Dielectric withstanding voltage :
AC500Vr.m.s. per minute | ■ Insulation resistance: 1000M ohm min. |
| ■ Operating temperature:
-25 Deg. C to +85 Deg. C | ■ Lifetime: 10,000 times |
| ■ Storage temperature:
-10 Deg. C to +60 Deg. C | ■ Temperature rise: 30 Deg. C max. |

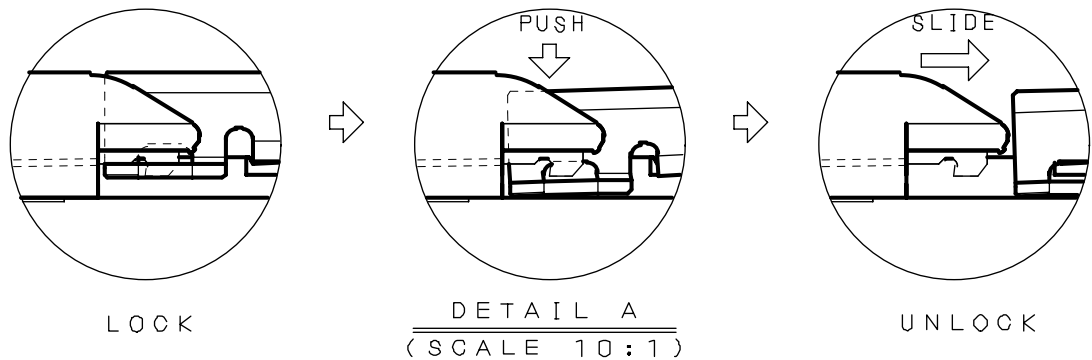
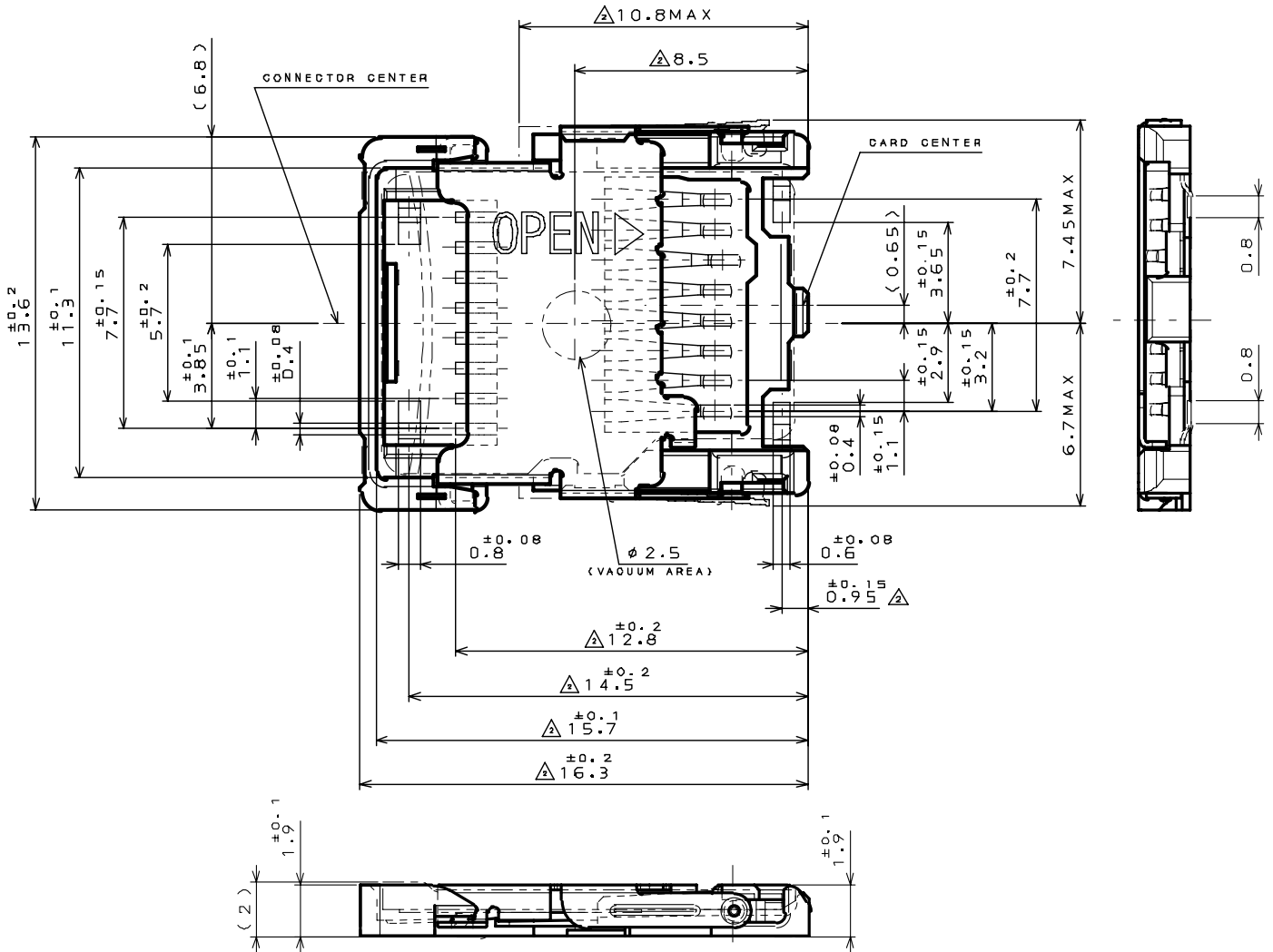
Materials and Finishes

Components	Materials /Finishes
Contact	Copper Alloy/ Contact: 0.5um min. Au plating over Ni Terminal: Au flash plating over Ni
Housing	Synthetic resin/ No (UL 94V-0)
Cover	Synthetic resin/ No (UL 94V-0)

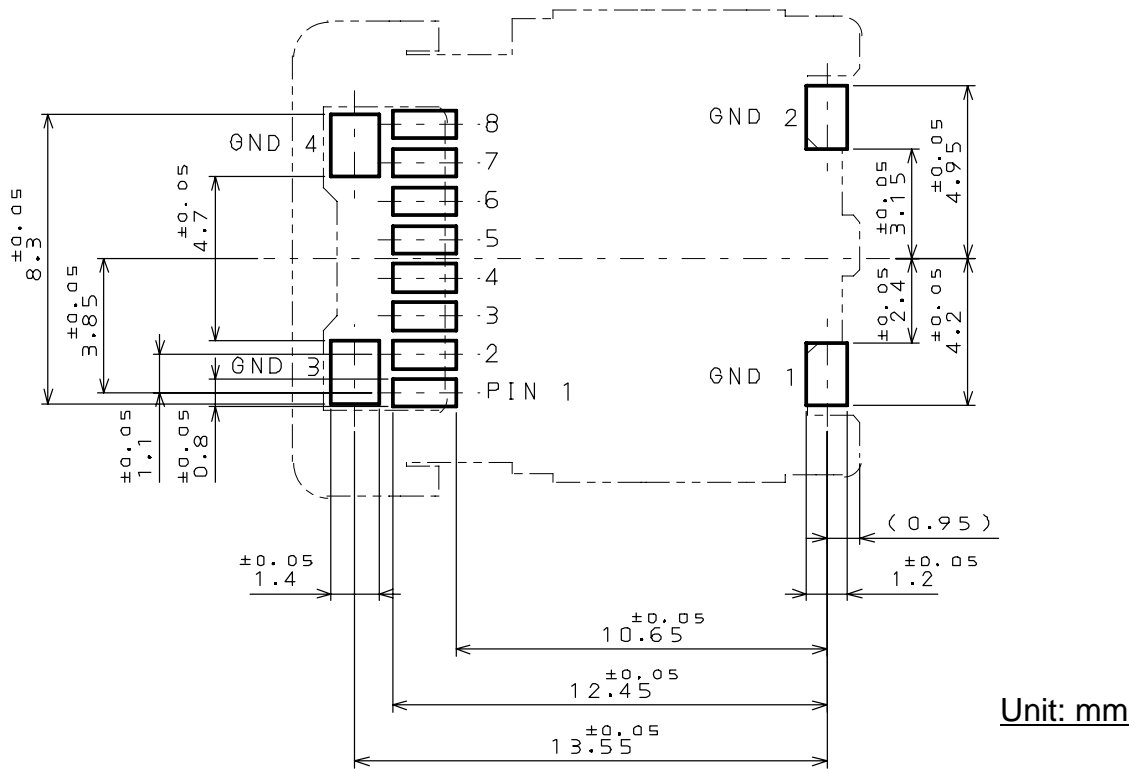
Ordering Information



Part Number	ST1W008S4A
SJ Drawing	SJ104204



Unit: mm



Applicable P.C.B dimension (for reference)

Note 1) Coplanarity of all terminals should be 0.1mm max.

Note 2) The thickness of reinforcement board is 0.6 min., when mounting on FPC.

Contact area (card side)	Terminal area (P.W.B side)	Hinge area
Au (0.5um min) Over Ni (2 to 6um)	Au(0.03 to 0.2um) Over Ni (2 to 6um)	Au(0.03 to 0.2um) Over Ni (2 to 6um)

Note 3) An embossed tape reel contains 1500 pieces.

Please contact us for details on embossed tape specifications.

Notice: Products shown in this leaflet are made for the applications listed below. However, if the above-mentioned products are to be used in aerospace devices, marine cable-connection devices, atomic power control systems, medical equipment for life-support systems, or any other specific application requiring extremely high reliability, please contact JAE for further information.
Recommended applications: computers, office machines, measuring devices, telecommunication devices (terminals, mobile devices), AV devices, household applications, FA devices, etc.

Japan Aviation Electronics Industry, Limited

Product Marketing Division
Aobadai Building, 3-1-19, Aobadai, Meguro-ku, Tokyo 153-8539
Phone: +81-3-3780-2787 FAX: +81-3-3780-2946