



Terminals & Splices > Crimp Wire Pins, Tabs & Ferrules



Terminal & Splice Type: **Ferrule**

Crimp Wire Pin, Tab & Ferrule Terminal Type: **Ferrule**

Crimp Wire Pin, Tab & Ferrule Wire Insulation Diameter (Max): **3.4 mm [.13 in]**

Accepts Wire Insulation Diameter Range: **3.4 mm [.13 in]**

Heavy Duty: **No**

Features

Product Type Features

Crimp Wire Pin, Tab & Ferrule Barrel Type	Closed
Crimp Wire Pin, Tab & Ferrule Wire/Cable Type	Regular Wire
Sealable	No
Insulated	Yes

Body Features

Double Wire	No
Crimp Wire Pin, Tab & Ferrule Plating Material	Tin

Contact Features

Terminal Length	10 mm [.39 in]
Terminal & Splice Type	Ferrule
Crimp Wire Pin, Tab & Ferrule Terminal Type	Ferrule
Crimp Wire Pin, Tab & Ferrule Terminal Orientation	Straight

Mechanical Attachment

Wire Insulation Support	Without
-------------------------	---------

Dimensions



2-Wire Size	16 AWG
Strip Length	12 mm[.472 in]
Crimp Wire Pin, Tab & Ferrule Wire Insulation Diameter (Max)	3.4 mm[.13 in]
Accepts Wire Insulation Diameter Range	3.4 mm[.13 in]
Wire Size	2583 CMA
Barrel Inside Diameter	3.5 mm[.14 in]
Crimp Wire Pin, Tab & Ferrule Material Thickness	.15 mm[.005 in]
Crimp Wire Pin, Tab & Ferrule Overall Length	16 mm[.63 in]

Usage Conditions

Insulation Requirement	Partially Insulated
Operating Temperature Range	105 °C[221 °F]

Operation/Application

Heavy Duty	No
------------	----

Packaging Features

Packaging Quantity	500
Crimp Wire Pin, Tab & Ferrule Packaging Method	Bag

Other

Barrel Color	Black
--------------	-------

Product Compliance

[For compliance documentation, visit the product page on TE.com>](#)

EU RoHS Directive 2011/65/EU	Compliant
EU ELV Directive 2000/53/EC	Compliant
China RoHS 2 Directive MIIT Order No 32, 2016	No Restricted Materials Above Threshold
EU REACH Regulation (EC) No. 1907/2006	Current ECHA Candidate List: JUL 2021 (219) Candidate List Declared Against: JUL 2021 (219) Does not contain REACH SVHC
Halogen Content	Low Halogen - Br, Cl, F, I < 900 ppm per homogenous material. Also BFR/CFR/PVC Free
Solder Process Capability	Not applicable for solder process capability

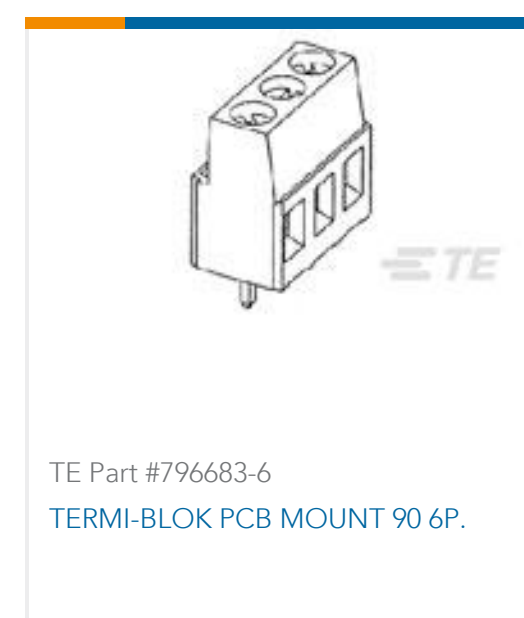
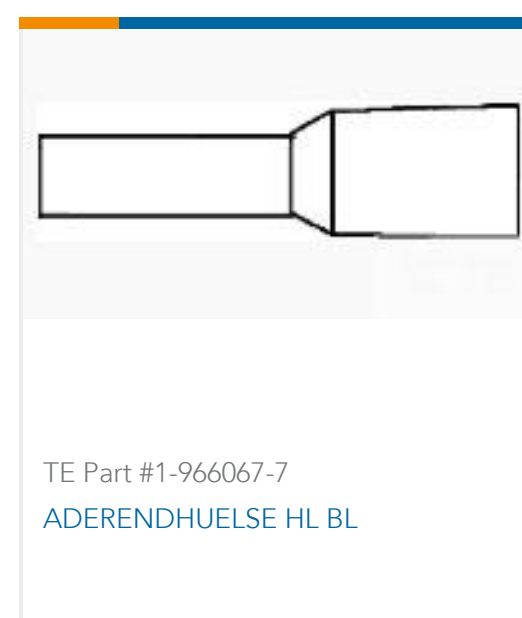
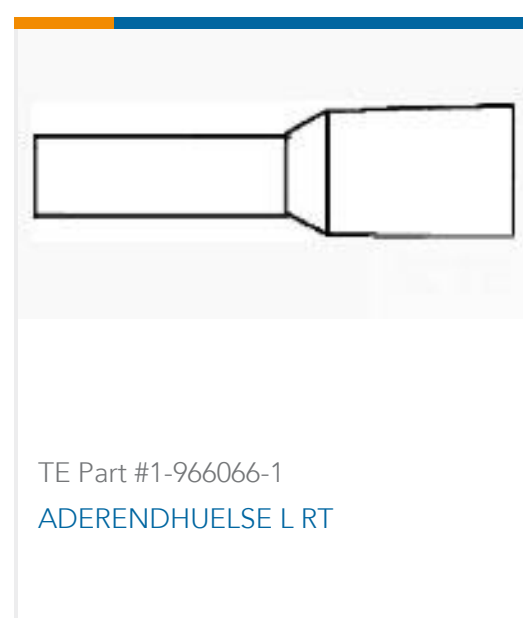
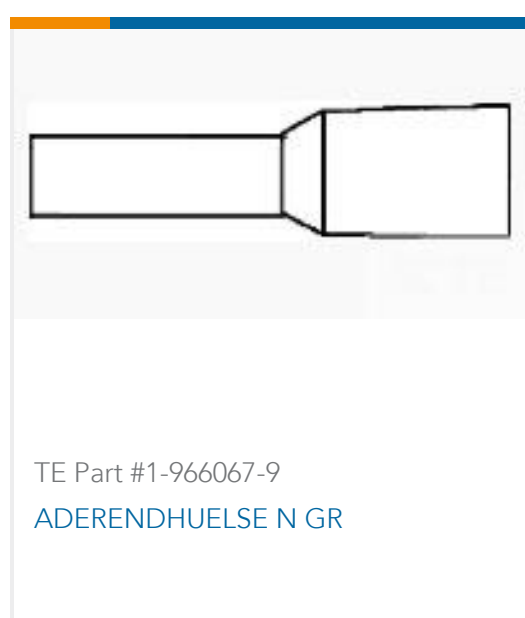
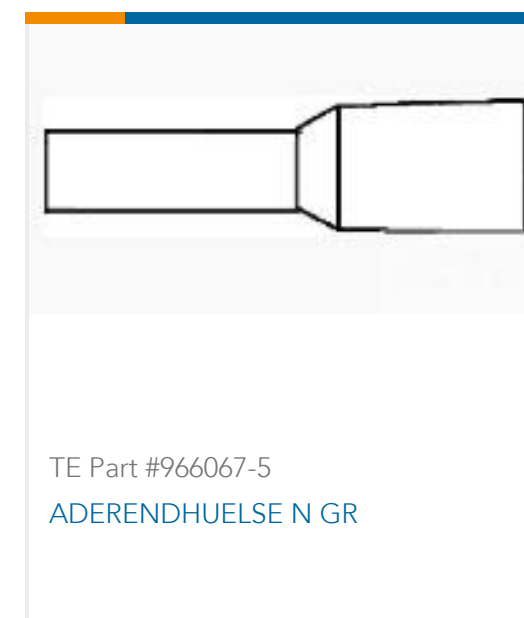
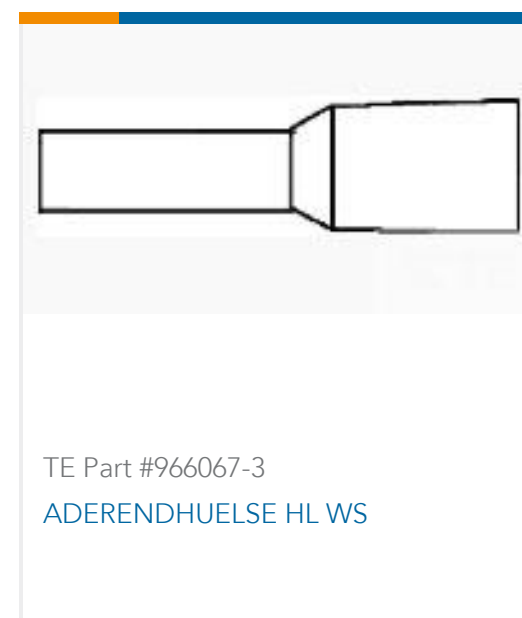
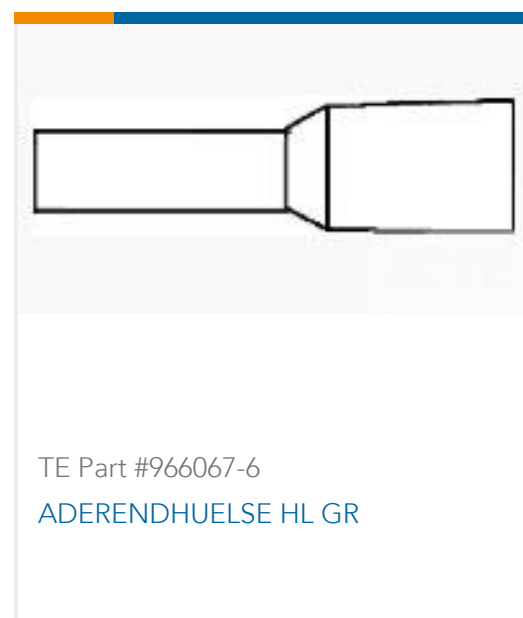
Product Compliance Disclaimer

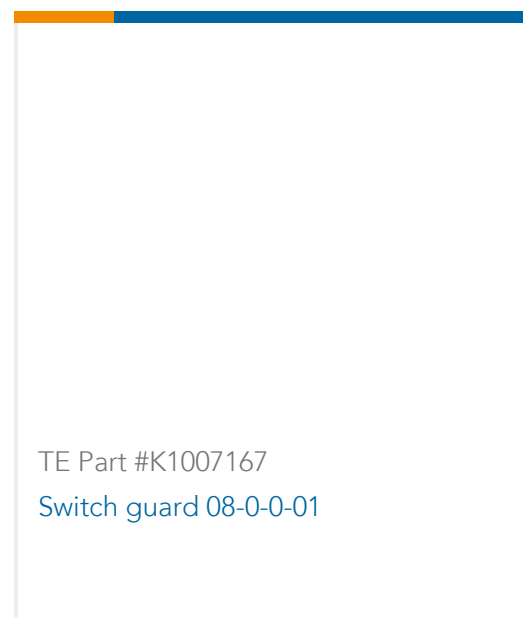
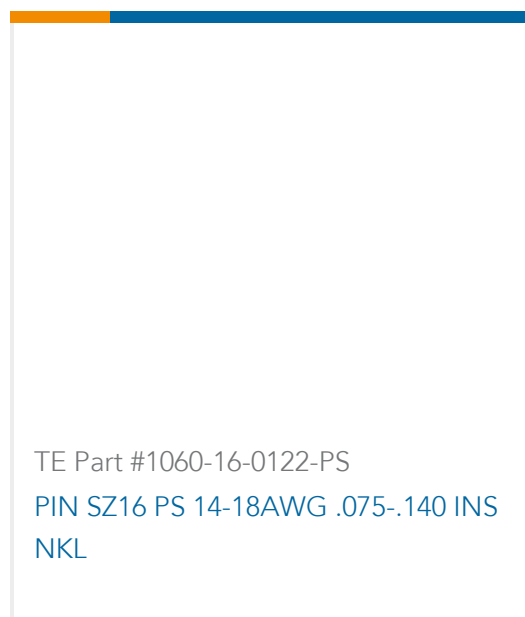
This information is provided based on reasonable inquiry of our suppliers and represents our current actual knowledge based on the information they provided. This information is subject to change. The part numbers that TE has identified as EU RoHS compliant have a maximum concentration of 0.1% by weight in homogenous materials for lead, hexavalent chromium, mercury, PBB, PBDE, DBP, BBP, DEHP, DIBP, and 0.01% for cadmium, or qualify for an exemption to these limits as defined in the Annexes of Directive 2011/65/EU (RoHS2). Finished electrical and electronic equipment products will be CE marked as required by Directive 2011/65/EU. Components may not be CE marked. Additionally, the part numbers that TE has identified as EU ELV compliant have a maximum concentration of 0.1% by weight in homogenous materials for lead, hexavalent chromium, and mercury, and 0.01% for cadmium, or qualify for an exemption to these limits as defined in the Annexes of Directive 2000/53/EC (ELV). Regarding the REACH Regulation, the information TE provides on SVHC in articles for this part number is based on the latest European Chemicals Agency (ECHA) 'Guidance on requirements for substances in articles' posted at this URL: <https://echa.europa.eu/guidance-documents/guidance-on-reach>

Compatible Parts



Customers Also Bought





Documents

Product Drawings

[ADERENDHUELSE HL SW](#)

English

CAD Files

[3D PDF](#)

English

[Customer View Model](#)

[ENG_CVM_1-966067-3_B1.2d_dxf.zip](#)

English

[Customer View Model](#)

[ENG_CVM_1-966067-3_B1.3d_igs.zip](#)

English

[Customer View Model](#)

[ENG_CVM_1-966067-3_B1.3d_stp.zip](#)

English

By downloading the CAD file I accept and agree to the [Terms and Conditions](#) of use.

Datasheets & Catalog Pages

[Wire Ferrules](#)

English

[WIRE END FERRULES](#)

English

Agency Approvals

[CSA Certificate](#)

English