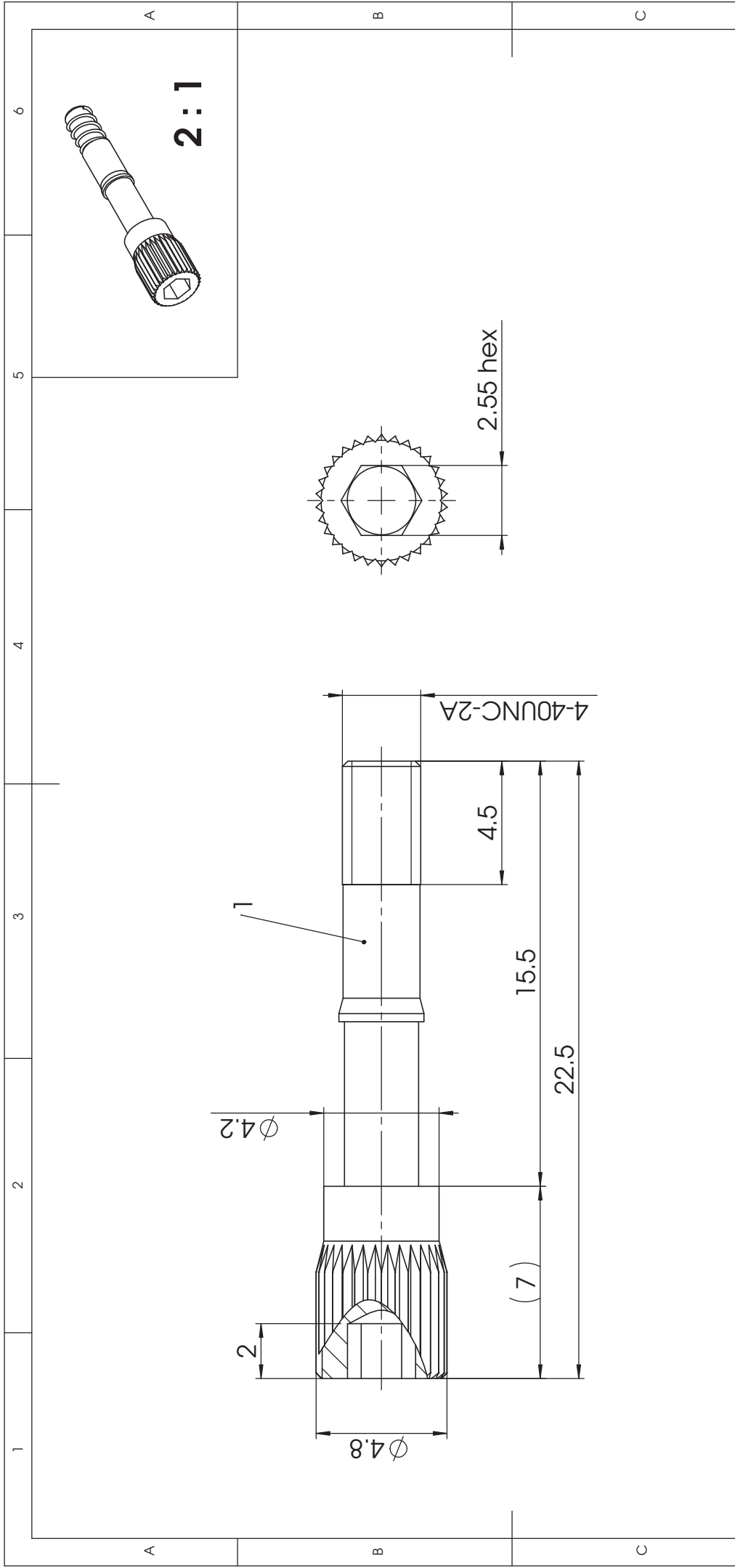


COMMENT:
 ALL RIGHTS ARE RESERVED BY US FOR THIS DRAWING. WITHOUT OUR PRIOR CONSENT,
 IT MAY NEITHER BE DUBLICATED NOR MADE A VALABLE TO A THIRD PARTY,
 AND IT ALSO MAY NOT BE IMPROPERLY USED BY TE RECEIVER, OR A THIRD PARTY.



②	1	1	Knurled thumb screw	FRSIN1/5-K364AU13 4-40x7 / Brass	gold plated
	1	1	Knurled thumb screw	FRSIN1/5-K364 4-40x7 / Brass	nickel plated
	No.	St.	Part	Type Description / Material	Surface plating / Colour / Class
				Measurement without tolerance occ. to ISO 2768-m	SCALE 5:1
				NAME / DATE	
				Drawn: Anke Meyer-Richter 19-08-2010	
				Checked: Anke Meyer-Richter 14-10-2013	
	2	14-10-2013	23101		
	1				
	REV.	DATE	CH.-NO.	DWG. NO.	REV.
1	2			FRSIN1/5-K364	2
				REPLACEMENT FOR:	PAGES 1



ORIGINAL: DIN A4-DRAWING AS A FILE

Knurled thumb screw
 FRSIN1/5-K364

DWG. NO. FRSIN1/5-K364 REV. 2