

PLEASE CHECK WWW.MOLEX.COM FOR LATEST PART INFORMATION

Part Number: [0747540021](#)
Status: **Active**
Overview: SFP+ and SFP Interconnect Solutions
Description: SFP+ Cage Lightpipe Cover Assembly, 1-by-2

Documents:

3D Model	Product Specification 747540001-PS1 (PDF)
Drawing (PDF)	Packaging Specification PK-74754-0021-001 (PDF)
3D Model (PDF)	RoHS Certificate of Compliance (PDF)

General

Product Family	EMI Cages
Series	74754
Application	N/A
Component Type	Lightpipe
Overview	SFP+ and SFP Interconnect Solutions
Product Name	SFP Plus
UPC	883906187255

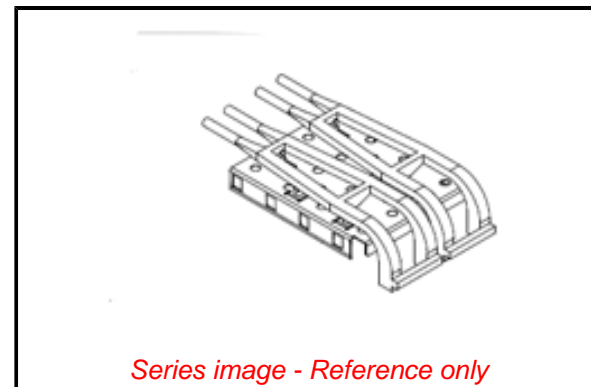
Physical

EMI Panel / Bezel Mount	N/A
Light Pipes per Port	2
Material - Metal	N/A
Net Weight	5.326/g
Orientation	Horizontal
Packaging Type	Tray
Port Configuration	1x2
Rear Legs	0
Termination Interface: Style	N/A
Thermal Height	N/A
Thermal Solutions	N/A

Material Info

Reference - Drawing Numbers

Packaging Specification	PK-74754-0021-001
Product Specification	747540001-PS1
Sales Drawing	747540021-ASY



EU ELV

Compliant

EU RoHS

Compliant

REACH SVHC

Not Contained Per -
D(2021)4569-DC (8
July 2021)

Halogen-Free

Status

Not Low-Halogen

For more information, please visit [Contact US](#)

China ROHS

ELV

RoHS Phthalates

China RoHS

Green Image

Compliant

Not Contained

Search Parts in this Series

[74754 Series](#)