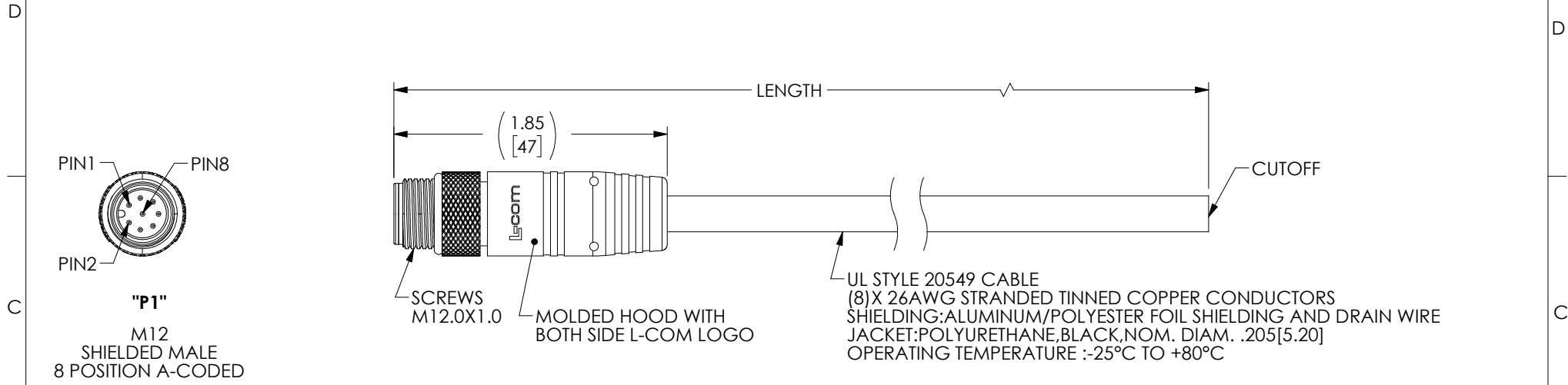


THE INFORMATION CONTAINED IN THIS DRAWING IS THE SOLE PROPERTY OF L-COM, INC. ANY REPRODUCTION IN PART OR WHOLE WITHOUT THE WRITTEN PERMISSION OF L-COM, INC. IS PROHIBITED.

REVISIONS			
REV	DESCRIPTION	DATE	APPROVED
A	INITIAL RELEASED	03/10/2021	DGUITADAUR

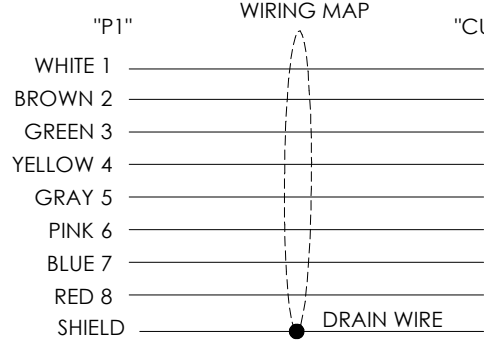


"P1"
M12
SHIELDED MALE
8 POSITION A-CODED

SCREWS
M12.0X1.0

MOLDED HOOD WITH
BOTH SIDE L-COM LOGO

UL STYLE 20549 CABLE
(8)X 26AWG STRANDED TINNED COPPER CONDUCTORS
SHIELDING:ALUMINUM/POLYESTER FOIL SHIELDING AND DRAIN WIRE
JACKET:POLYURETHANE,BLACK,NOM. DIAM. .205[5.20]
OPERATING TEMPERATURE :-25°C TO +80°C



PART NUMBER	LENGTH	
	FEET	METERS
TRG886-P6B-2M	6.56	2.0
TRG886-P6B-5M	16.41	5.0

NOTES


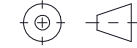
MATERIAL:
MOLDED HOOD:THERMOPLASTIC POLYURETHANE,BLACK,UL94V-0
INSULATOR:PBT+GF, BLACK
SHELL/SCREWS: BRASS, NICKEL PLATE
CONTACTS: PHOSPHOR BRONZE, 15µ" MIN. GOLD PLATE

ELECTRICAL:
NOMINAL VOLTAGE RATING: 30 V AC/DC
MAX CURRENT: 2A

APPLICATION:
INGRESS PROTECTION RATING IS IP67 (MATED).

ENVIRONMENTAL:
OPERATING TEMPERATURE RANGE: -25°C TO +80°C
CABLE JACKET RESISTANCE: OIL, SUNLIGHT & CHEMICAL RESISTANT
CABLE JACKET FLAME RATING:VW-1

MISCELLANEOUS
CABLE ASSEMBLIES TO BE TESTED FOR CONTINUITY
CABLE ASSEMBLY SHALL BE INDIVIDUALLY PACKAGED IN
ACCORDANCE WITH L-COM SPECIFICATION PS-0031.

UNLESS OTHERWISE SPECIFIED, DIMENSIONS ARE IN INCHES [mm] OVERALL CABLE LENGTH TOLERANCE: ≤12 [305] = +1 [25] / -0 >12 [305] ≤60 [1524] = +2 [51] / -0 >60 [1524] ≤120 [3048] = +4 [102] / -0 >120 [3048] ≤300 [7620] = +6 [152] / -0 >300 [7620] = +5% / -0	APPROVALS	DATE	 an INFINITI® brand 50 High Street, West Mill, North Andover, MA 01845 USA. Phone: 1.800.341.5266 1.978.682.6936
	DRAWN BY B.ZHANG	03/08/2021	
ALL OTHER DIMENSIONAL TOLERANCES: .X = ± .2 [5] FRACTIONS .XX = ± .02 [5] ± 1/32 .XXX = ± .005 [13] ANGLES ± 1°	CHECKED BY SPAN	03/08/2021	TELECOM/MODULAR
THIRD-ANGLE PROJECTION	APPROVED BY DGUITADAUR	03/08/2021	PRODUCT DESCRIPTION
	CONFIGURATION DETAILS OF UNDIMENSIONED FEATURES MAY VARY		M12 8PAM PIGTAIL SHLD 26AWG PUR BLK
	COLOR VARIATIONS MAY OCCUR		SIZE A
	REF		CAGE CODE 43321
			DWG. NO. TRG886-P6B
			SCALE: NONE
			CAD FILE: TRG886-P6B.SLDDRW
			SHEET 1 OF 1