

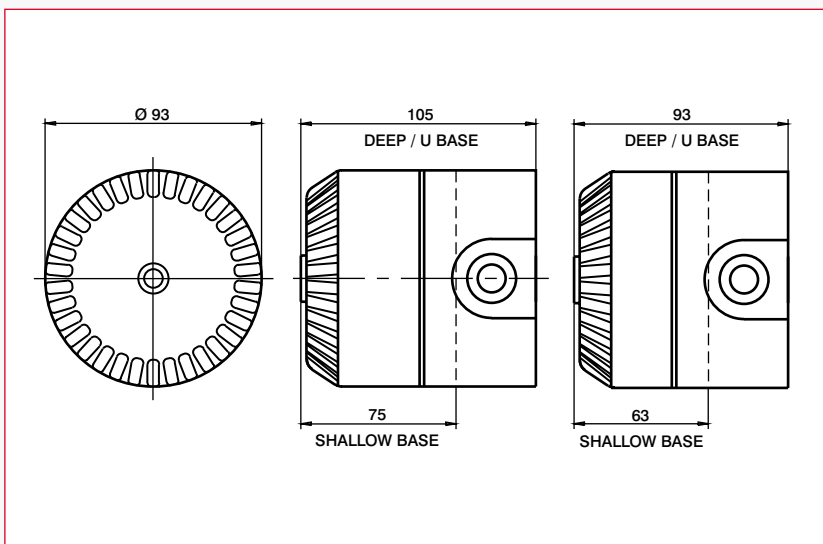
✶ roshni sounders



- HIGH SOUND OUTPUT
- LOW CURRENT CONSUMPTION
- 32 TONES USER SELECTABLE
- AUTOMATIC SYNCHRONISATION
- VOLUME CONTROL
- BASE COMPATIBLE WITH THE CLARIFIRE, FLASHNI & IB BEACON



Model	Roshni LP	Roshni	Roshni Mains (no second tone available)
Operating Voltage Range	9 - 28Vdc		110 - 240Vac
Current Consumption (using tone 3)	16mA at 24Vdc		35mA at 240Vac
Operating Temperature	-25°C to +70°C		-10°C to +55°C
Construction	ABS		
Ingress Protection	IP65		
Weight	Shallow base - 240g Deep & U base - 275g	Shallow base - 300g Deep & U base - 335g	N/A Deep & U base - 325g
Dimension	Shallow base - 93mm dia x 63mm deep Deep & U base - 93mm dia x 93mm deep	Shallow base - 93mm dia x 75mm deep Deep & U base - 93mm dia x 105mm deep	N/A Deep & U base - 93mm dia x 105mm deep
Sound Output (using tone 3)	102dB(A) at 24Vdc	100dB(A) at 24Vdc	100dB(A) at 240Vac
Tones	32	32	32
Colours	Red or White as standard (others available on request)		



Further Information

See Tones datasheet 25-9068

See Bases datasheet 25-9069

Variants

Audio/Visual unit available which combines Roshni + Beacon.

Reduced volume version for hospitals

Anti-tamper / lockable versions

Low voltage AC operation



Fulleon
technology