

XLR type Category 6A STP Socket:



XLR type Category 6A STP Socket (SGDpm)

This die-cast, ruggedised XLR style STP socket is built to be used in a wide range of challenging environments. Using the industry standard, XLR latch-locking mechanism, it offers a secure connection that comfortably performs to Cat6A. Designed to be easily mounted into XLR style cut-outs, this high quality jack boasts tool-less “butterfly style” levers which enable quick and easy terminations.

Features:

- STP socket with dual 568 A/B wiring
- Compliant with:
 - IEEE standard for PoE+ and 4PPoE IEEE 802.3
 - Standard for high performance shielded 8 way connectors IEC 60603-7-51
 - Category 6A standard for Balanced Twisted-Pair Components TIA-568.2-D
 - Standard for generic premise cabling to Class EA/Cat 6A ISO/IEC 11801-1
- Fully shielded, die-cast body offers a durable, sturdy design with outstanding performance in eliminating alien cross-talk
- Industry standard XLR latch-locking mechanism
- Please note: Not suitable for use with 6p4c (RJ11 type) or 6p6c (RJ12 type) plugs

Specifications:

- Net weight (including primary packaging): 44g
- Dimensions: 26.18 x 31.18 x 41.38 mm approx.

- Colour: Silver
- Materials:
 - Internal connector: Impact resistant, UV stabilised ABS+PC 94V0 plastic
 - Housing: Nickel-plated zinc alloy
 - Contact plating: 50µ"/1.27µm over contact area
- Operating temperature: -40°C to 66°C
- Supplied with cable tie
- Plug insertion tested to over 750 times
- Suitable for 22 ~ 26 AWG solid wire, core diameter: 0.6mm ~ 1.52mm, cable OD: 6mm ~ 8.5mm

Packaging: Packed in individual polybags with instructions printed on bag, then in bags of 20.

Commodity code: 85444920

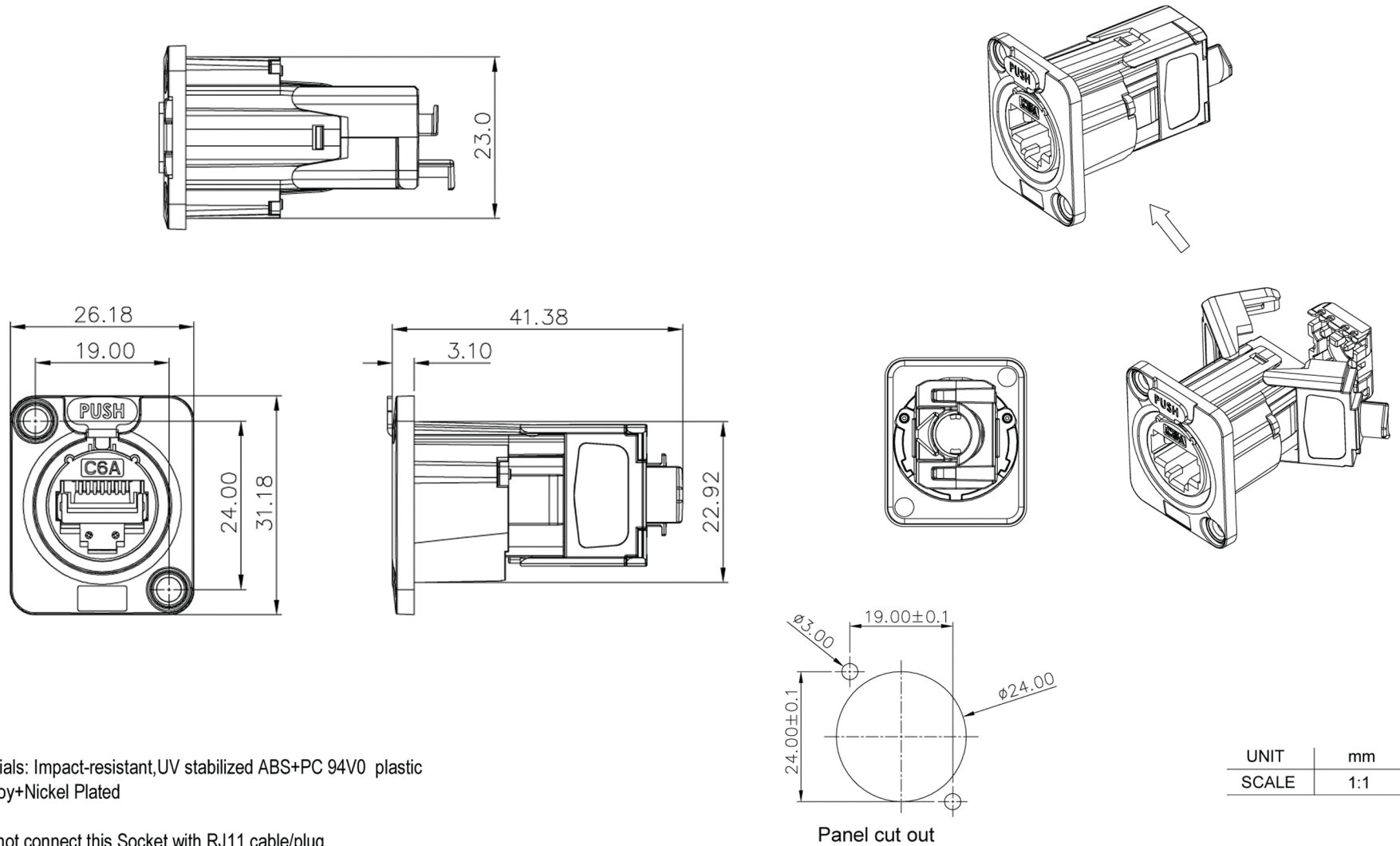
EAN: 5055386509666

Country of Origin
China



ROHS Compliant

Code: SGDpm



MECHANICAL

- (1) Materials: Impact-resistant, UV stabilized ABS+PC 94V0 plastic
- (2) Zn alloy+Nickel Plated

Caution:

Please do not connect this Socket with RJ11 cable/plug

UNIT	mm
SCALE	1:1