

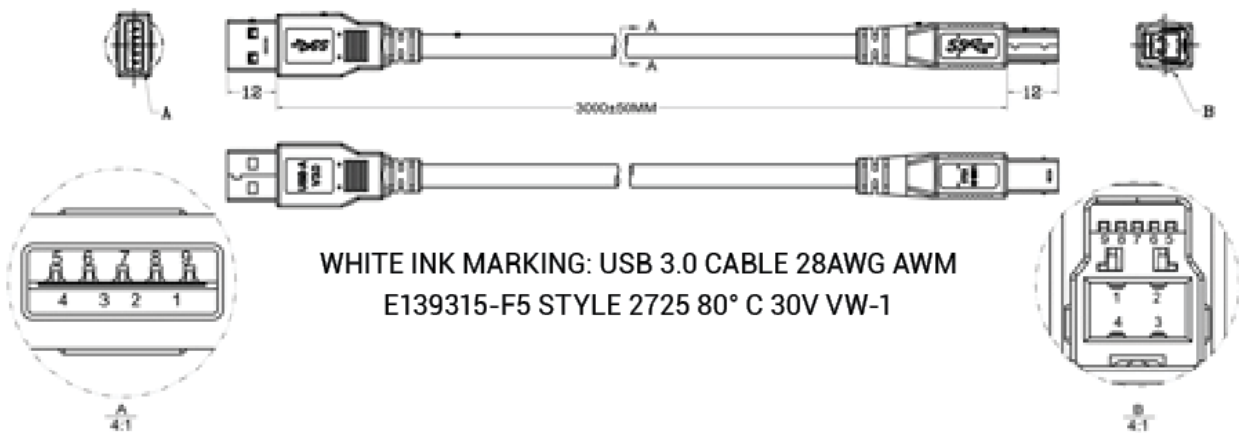
## USB System USB 3.0 A to B Cables

Part No: See chart

The new SuperSpeed USB 3.0 cables give raw throughput of 4 Gbits. The cables contain two wires for power and ground, two wires for non-SuperSpeed data and four wires for SuperSpeed mode. They are supplied fully moulded format in the following listed lengths.

### Features & Benefits

- New SuperSpeed USB cables up to 10 x faster than standard USB 2.0
- Manufactured in listed lengths using UL20276 USB 3.0 cable
- 28AWG x 1 Pair with drain/aluminium/mylar, 1x 28AWG Pair, 2 Cores 28AWG
- Backwards compatible, however, for USB 3.0 speed total USB 3.0 system required



**VIDEK**

# USB System

## USB 3.0 A to B Cables

Part No: See chart

### Part Number Chart

Part Number	Product Description
2585A-0.5	VIDEK USB 3.0 High Speed A to B Cable 0.5Mtr
2585A-1	VIDEK USB 3.0 High Speed A to B Cable 1Mtr
2585A-2	VIDEK USB 3.0 High Speed A to B Cable 2Mtr
2585A-3	VIDEK USB 3.0 High Speed A to B Cable 3Mtr