

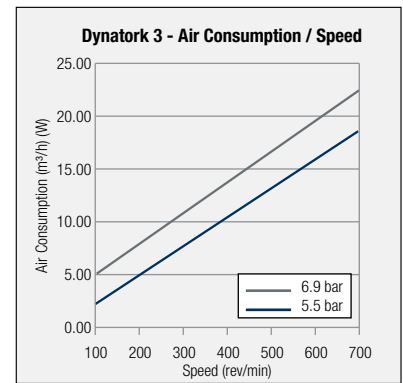
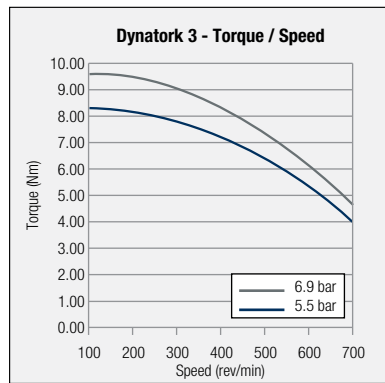
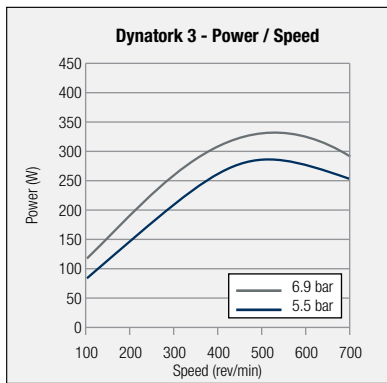
Dynatork 3 Aluminium

Key Data: Dynatork 3 Motor Ref: 970.35.A or 970.35.AM Metric

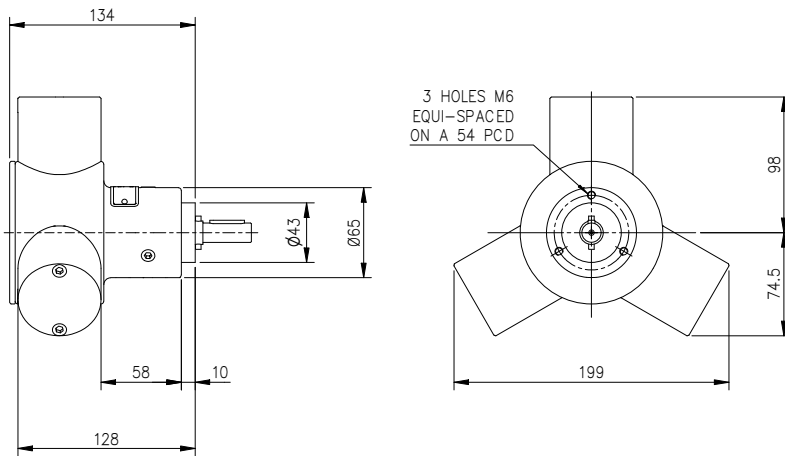
Speed range	150 - 700 rpm
Torque at 200 rpm / 6.9 bar (100 psi)	9.9 Nm
Torque at 800 rpm / 6.9 bar (100 psi)	4.6 Nm
Max air consumption 800 rpm / 6.9 bar	21.6 m³/h
Shaft Diameter	970.35.A: 12.7 mm / 970.35.AM: 14 mm
Weight	3.75 kg
Ports	1/4" BSP
Lubrication	Non-Lube: for use with a dry, clean, non-lubricated air supply (can be used in lubricated system)



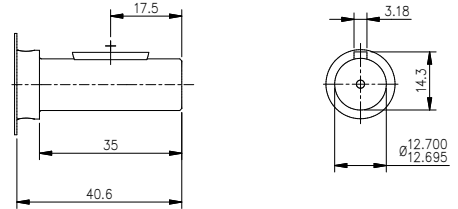
Performance



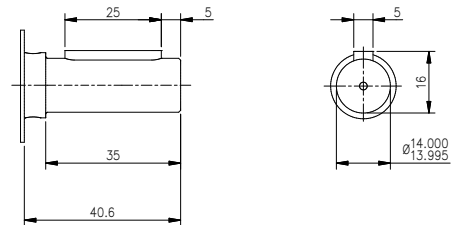
Flange Mounting



970.35.A



970.35.AM



*NEMA Flanges available



For alternative mounting option, see page 24