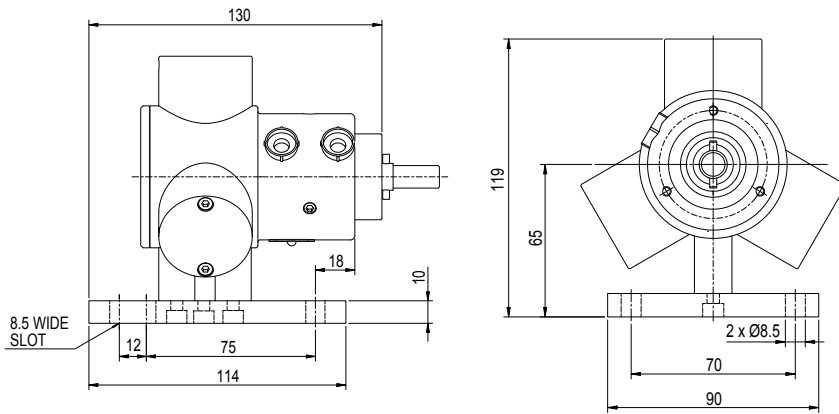
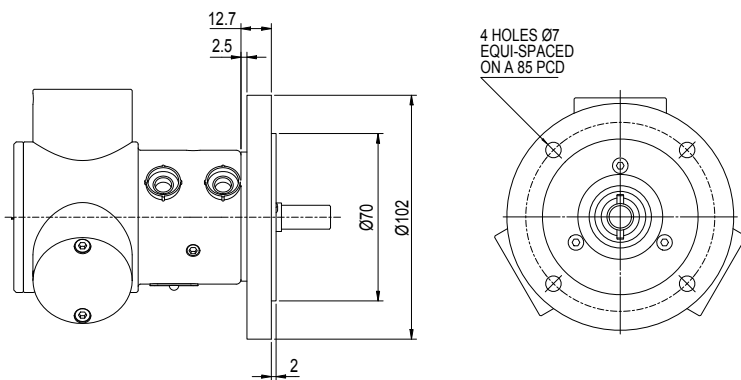


Basic Motor Type 970.15.A



Complete Motor Ref: 970.15.B



Complete Motor Ref: 970.15.C

Mounting Kit Options

Convert 970.15.A Motor to B or C Types with conversion kits.

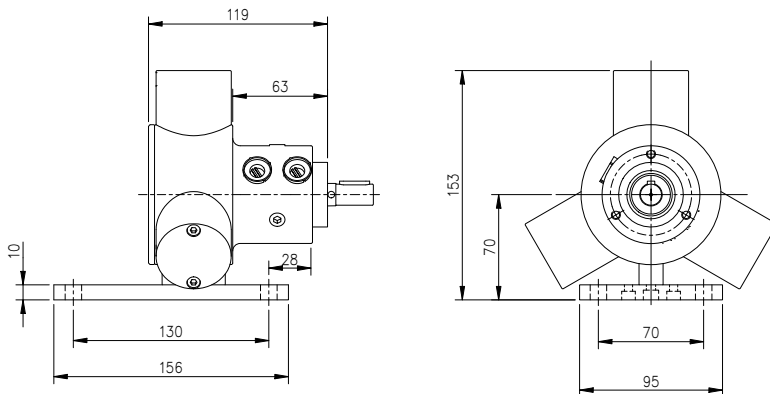


Order Ref
946.10.B

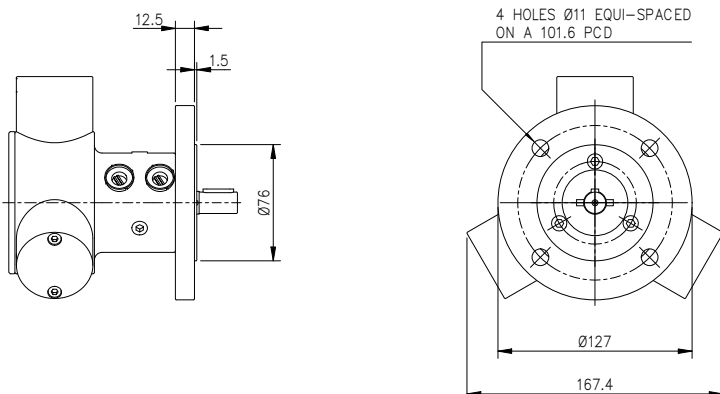


Order Ref
945.10.C

Basic Motor Type 970.25.A (or AM)



Complete Motor Ref: 970.25.B (or BM)



Complete Motor Ref: 970.25.C (or CM)

Mounting Kit Options

Convert 970.25.A(M) Motor to B(M) or C(M)Types with conversion kits.



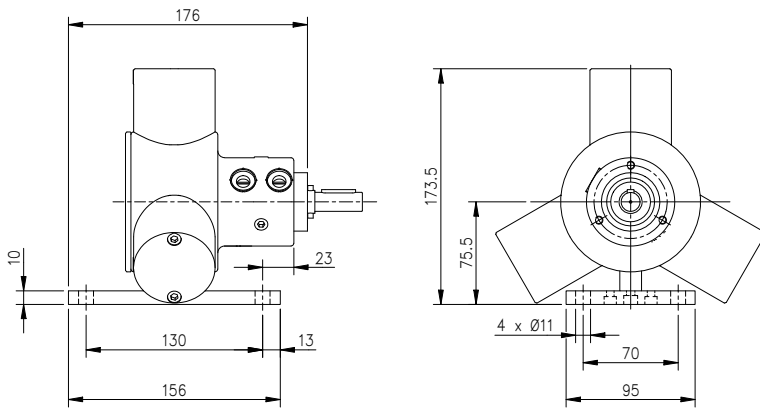
Order Ref
946.20.B



Order Ref
945.30.C

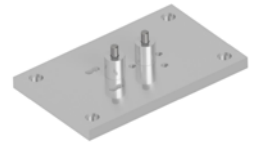
Mounting Options

Basic Motor Type 970.35.A (or AM)



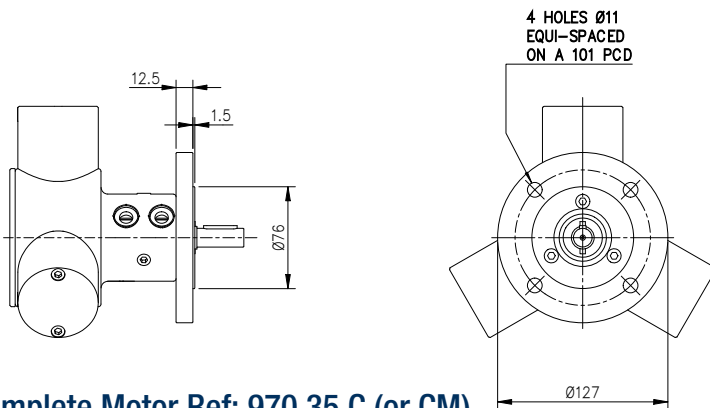
Mounting Kit Options

Convert 970.35.A(M) Motor to B(M) or C(M) Types with conversion kits.



Order Ref
946.30.B

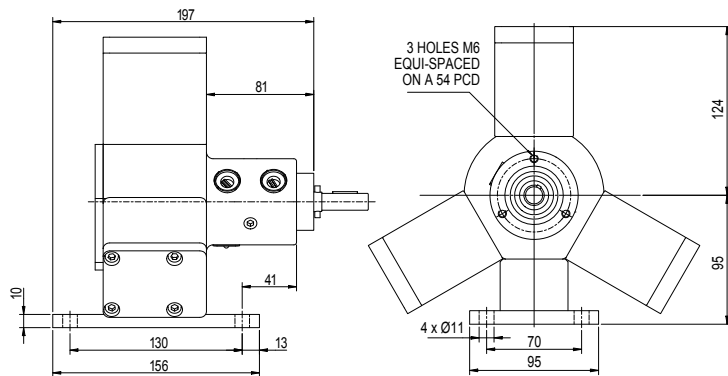
Complete Motor Ref: 970.35.B (or BM)



Order Ref
945.30.C

Complete Motor Ref: 970.35.C (or CM)

Basic Motor Type 930.75.A



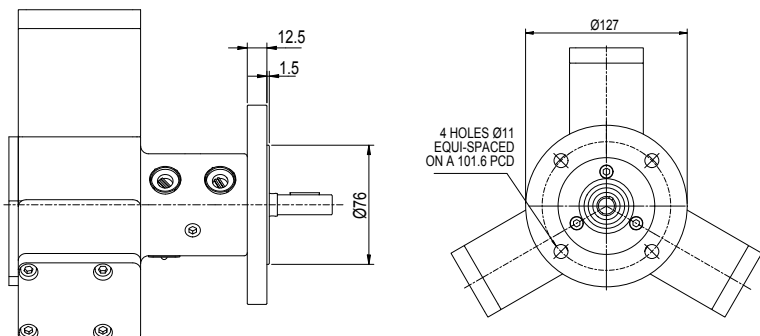
Mounting Kit Options

Convert 930.75.A Motor to B or C Types with conversion kits.



Order Ref
945.70.B

Complete Motor Ref: 930.75.B

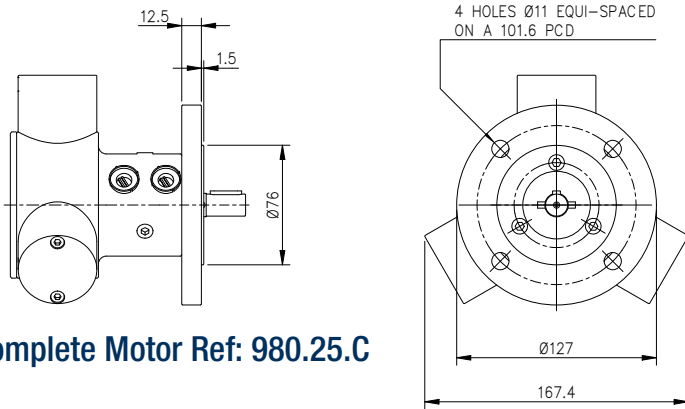


Order Ref
945.30.C

Complete Motor Ref: 930.75.C

Mounting Options

Basic Motor Type 980.25.A



Complete Motor Ref: 980.25.C

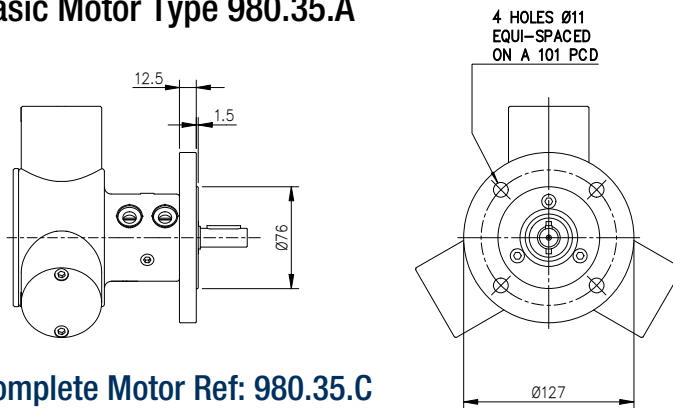
Mounting Kit Options

Convert 980.25.A Motor to C Types with conversion kits.



Order Ref 945.30.CS

Basic Motor Type 980.35.A



Complete Motor Ref: 980.35.C

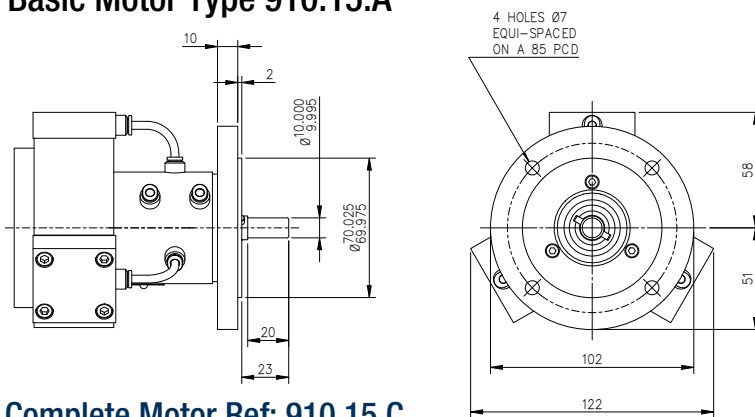
Mounting Kit Options

Convert 980.35.A Motor to C Types with conversion kits.



Order Ref 945.30.CS

Basic Motor Type 910.15.A



Complete Motor Ref: 910.15.C

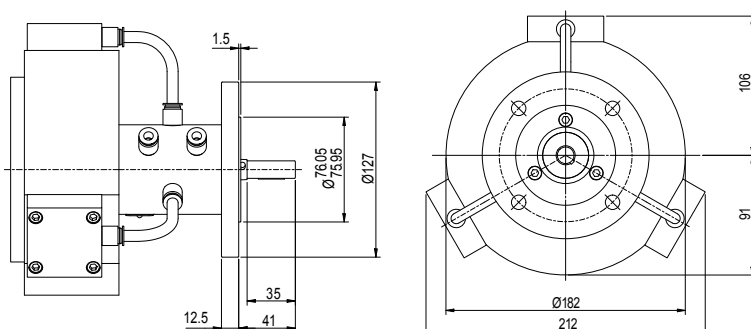
Mounting Kit Options

Convert 910.15.A Motor to C Types with conversion kits.



Order Ref 945.10.CA

Basic Motor Type 930.35.A



Complete Motor Ref: 910.35.C

Mounting Kit Options

Convert 930.35.A Motor to C Types with conversion kits.



Order Ref 945.30.CA

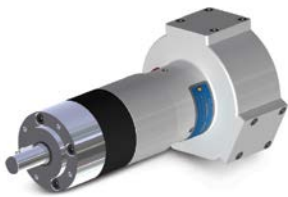
Dynatork Series II Models / Service Kits

Contact Huco Sales for availability of Series II motors listed below

Size 1



930.15



931.15



934.15

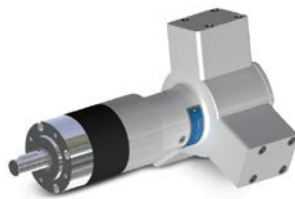
Service Kit
909.15



Size 3



930.35

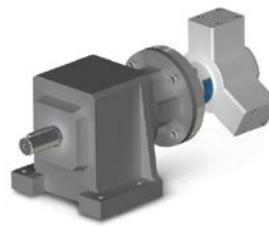


931.35



934.35

Service Kit
909.35



935.35

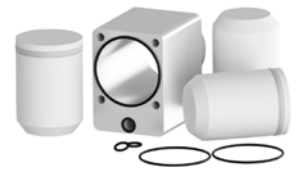


936.35

Size 7

Development of Size 7 motors resulted in changes the service kits available

If you have arrangement
909.75M



(No piston liners)

You can update the latest spec using update kit

939.75



2017 production motors and motors updated with kit 939.75

959.75



Fitting Procedure

- Remove back flange.
- Remove all three piston caps.
- Push out Pistons and liners and ensure old O ring is removed.
- Check for any debris before fitting new pistons.
- Fit new Liners, Pistons and O rings assembly, ensuring piston slides when fitted.
- Refit Piston Caps.
- Refit Flange plate.
- Test run motor.

Visit Huco.com to download maintenance documents