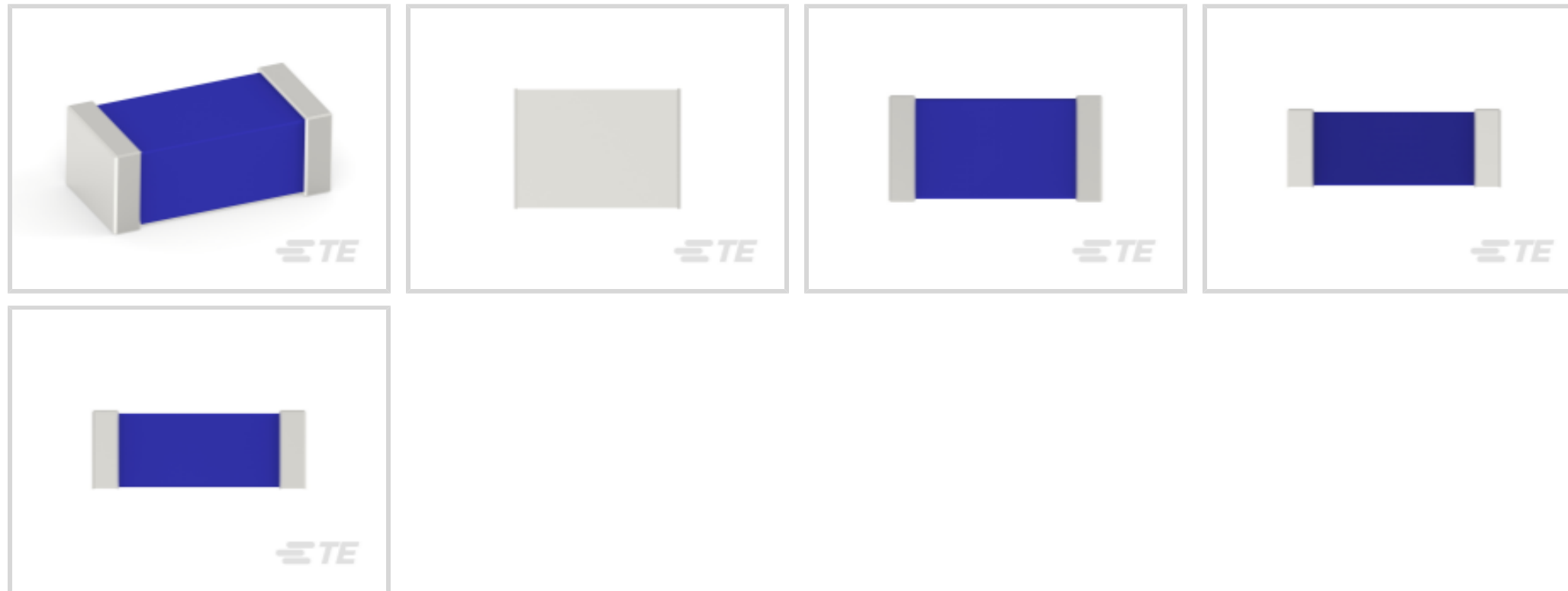


GNSS

TE Internal #: 2108838-1

GNSS, Antenna, Bluetooth / Wi-Fi / WLAN, Printed Circuit Board,
Surface Mount (SMT)[View on TE.com >](#)

Antennas

Wireless Application: **Bluetooth, Wi-Fi, WLAN, ZigBee**Mounts To: **Printed Circuit Board**Antenna Connection Type: **Surface Mount (SMT)**Application by Region: **Bluetooth - Global - 2400 – 2500 MHz, Wi-Fi - Global - 2400 – 2483.5 MHz, ZigBee - Global - 2400 – 2483.5 MHz**Antenna Style: **Embedded**

Features

Product Type Features

Antenna Connection Type	Surface Mount (SMT)
-------------------------	---------------------

Configuration Features

Band Type	Single Band
Antenna Protocol	ISM / ZB / BT WIFI
Number of Ports	1
Antenna Style	Embedded

Electrical Characteristics

VSWR (Max)	< 2.0:1
Impedance	50 Ω
Active Antenna	No

Signal Characteristics

Frequency Band	2400 – 2500 MHz
Gain (Max)	2.4 dB



Body Features

Product Weight	.02 g[.00071 oz]
----------------	------------------

Mechanical Attachment

Region	Global
Polarization	Linear
Mounts To	Printed Circuit Board

Dimensions

Product Length	3.2 mm[.126 in]
Product Width	1.6 mm[.063 in]
Product Height	1.2 mm[.048 in]

Usage Conditions

Application by Region	Bluetooth - Global - 2400 – 2500 MHz, Wi-Fi - Global - 2400 – 2483.5 MHz, ZigBee - Global - 2400 – 2483.5 MHz
-----------------------	---

Operation/Application

Wireless Standard	802.11 b/g, Bluetooth & ZigBee
-------------------	--------------------------------

Industry Standards

Wireless Application	Bluetooth, Wi-Fi, WLAN, ZigBee
----------------------	--------------------------------

Packaging Features

Packaging Method	Tape & Reel
------------------	-------------

Other

Precision Level	Standard
-----------------	----------

Product Compliance

[For compliance documentation, visit the product page on TE.com>](#)

EU RoHS Directive 2011/65/EU	Compliant
EU ELV Directive 2000/53/EC	Compliant
China RoHS 2 Directive MIIT Order No 32, 2016	No Restricted Materials Above Threshold
EU REACH Regulation (EC) No. 1907/2006	Current ECHA Candidate List: JUL 2021 (219) Candidate List Declared Against: JUL 2021 (219) Does not contain REACH SVHC
Halogen Content	Low Halogen - Br, Cl, F, I < 900 ppm per

homogenous material. Also BFR/CFR/PVC Free

Solder Process Capability

Not applicable for solder process capability

Product Compliance Disclaimer

This information is provided based on reasonable inquiry of our suppliers and represents our current actual knowledge based on the information they provided. This information is subject to change. The part numbers that TE has identified as EU RoHS compliant have a maximum concentration of 0.1% by weight in homogenous materials for lead, hexavalent chromium, mercury, PBB, PBDE, DBP, BBP, DEHP, DIBP, and 0.01% for cadmium, or qualify for an exemption to these limits as defined in the Annexes of Directive 2011/65/EU (RoHS2). Finished electrical and electronic equipment products will be CE marked as required by Directive 2011/65/EU. Components may not be CE marked. Additionally, the part numbers that TE has identified as EU ELV compliant have a maximum concentration of 0.1% by weight in homogenous materials for lead, hexavalent chromium, and mercury, and 0.01% for cadmium, or qualify for an exemption to these limits as defined in the Annexes of Directive 2000/53/EC (ELV). Regarding the REACH Regulation, the information TE provides on SVHC in articles for this part number is based on the latest European Chemicals Agency (ECHA) 'Guidance on requirements for substances in articles' posted at this URL: <https://echa.europa.eu/guidance-documents/guidance-on-reach>

Compatible Parts




TE Part # 2118706-2
1 PC STD SHIELD, CRS-13.66X12.70X2.54MM



TE Part # 2118709-4
1 PC STD SHIELD, AL-32.00X32.00X6.00MM

Also in the Series | GNSS

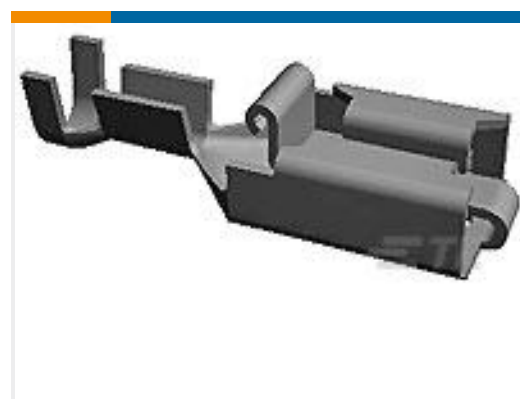


Antennas(23)

Customers Also Bought



TE Part #878513-000
Bulbous Heat Shrink Boots: Lipped,
Right Angle



TE Part #154717-6
PL 250 REC TERMINAL 14-11 AWG
PTPB



TE Part #1-1703543-0
2POS, TAB 2.8X0.8, TAB HSG, ASSY

Documents

Product Drawings

Chip ant., SMD, BT/Wi-Fi 2.4GHz

English

CAD Files

3D PDF

3D

Customer View Model

[ENG_CVM_CVM_2108838-1_1.2d_dxf.zip](#)

English

Customer View Model

[ENG_CVM_CVM_2108838-1_1.3d_igs.zip](#)

English

Customer View Model

[ENG_CVM_CVM_2108838-1_1.3d_stp.zip](#)

English

By downloading the CAD file I accept and agree to the [Terms and Conditions](#) of use.

Datasheets & Catalog Pages

BT/Chip ant., SMD, Wi-Fi 2.4GHz

English