

305183-4 ✓ ACTIVE

TE Internal #: 305183-4

TE Internal Description: EXTRACT TOOL TYPE I #14

[View on TE.com >](#)



Product Compliance

[For compliance documentation, visit the product page on TE.com>](#)

EU RoHS Directive 2011/65/EU	Compliant
EU ELV Directive 2000/53/EC	Out of Scope
China RoHS 2 Directive MIIT Order No 32, 2016	No Restricted Materials Above Threshold
EU REACH Regulation (EC) No. 1907/2006	Current ECHA Candidate List: JUL 2021 (219) Candidate List Declared Against: JAN 2021 (211) SVHC > Threshold: Not Yet Reviewed
Halogen Content	Low Halogen - Br, Cl, F, I < 900 ppm per homogenous material. Also BFR/CFR/PVC Free
Solder Process Capability	Not applicable for solder process capability

Product Compliance Disclaimer

This information is provided based on reasonable inquiry of our suppliers and represents our current actual knowledge based on the information they provided. This information is subject to change. The part numbers that TE has identified as EU RoHS compliant have a maximum concentration of 0.1% by weight in homogenous materials for lead, hexavalent chromium, mercury, PBB, PBDE, DBP, BBP, DEHP, DIBP, and 0.01% for cadmium, or qualify for an exemption to these limits as defined in the Annexes of Directive 2011/65/EU (RoHS2). Finished electrical and electronic equipment products will be CE marked as required by Directive 2011/65/EU. Components may not be CE marked. Additionally, the part numbers that TE has identified as EU ELV compliant have a maximum concentration of 0.1% by weight in homogenous materials for lead, hexavalent chromium, and mercury, and 0.01% for cadmium, or qualify for an exemption to these limits as defined in the Annexes of Directive 2000/53/EC (ELV). Regarding the REACH Regulation, the information TE provides on SVHC in articles for this part number is based on the latest European Chemicals Agency (ECHA) 'Guidance on requirements for substances in articles' posted at this URL: <https://echa.europa.eu/guidance-documents/guidance-on-reach>

Customers Also Bought



TE Part #206226-1
CPC PLUG ASSEMBLY SIZE 23-7



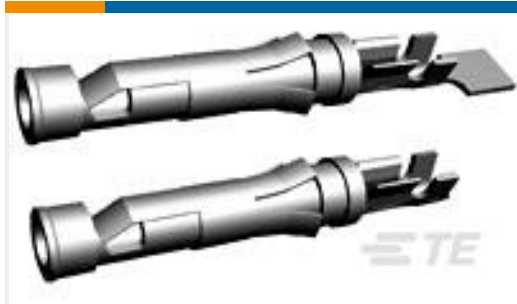
TE Part #207486-2
RECEPT,SZ 23-16,CPC



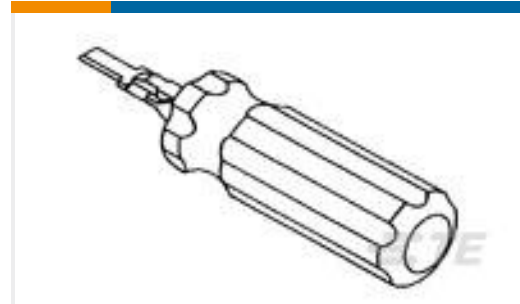
TE Part #66259-4
MALE CONTACT ASSY. (L.P.)



TE Part #66105-2
III+ SKT,24-20,TIN-LEAD,LP



TE Part #66101-1
III+ SKT,18-16,30AU>10,LP



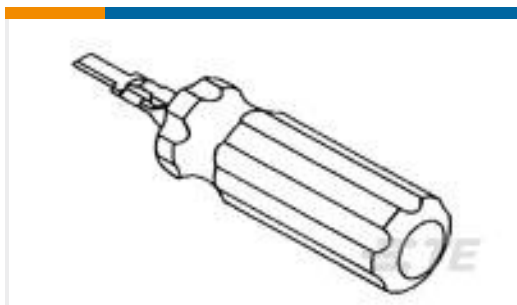
TE Part #1-305183-2
EXTRACT TOOL MATE-N-LOK SKT



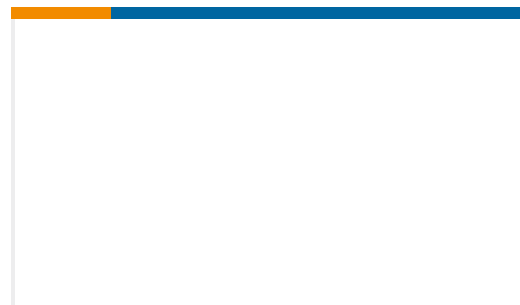
TE Part #3-1437569-4
164TL11=RECT ILLUM PB MOM INO



TE Part #747784-3
AMPLI JACKSCREW 4-40 KIT



TE Part #91019-3
EXTRACTION TOOL



TE Part #R-2351
RTD,CAP,QTZ,P100,385,.1%,.250D

Documents

Instruction Sheets

[Instruction Sheet \(U.S.\)](#)

English

Agency Approvals

[CSA Certificate](#)

English