



Product Change Notification / SYST-09WTKU988

Date:

11-Nov-2021

Product Category:

32-bit Microcontrollers

PCN Type:

Document Change

Notification Subject:

ERRATA - PIC32MM0256GPM064 Family Silicon Errata and Data Sheet Clarification

Affected CPNs:

[SYST-09WTKU988_Affected_CPN_11112021.pdf](#)

[SYST-09WTKU988_Affected_CPN_11112021.csv](#)

Notification Text:

SYST-09WTKU988

Microchip has released a new Product Documents for the PIC32MM0256GPM064 Family Silicon Errata and Data Sheet Clarification of devices. If you are using one of these devices please read the document located at [PIC32MM0256GPM064 Family Silicon Errata and Data Sheet Clarification](#).

Notification Status: Final

Description of Change: 27. Module: Comparator

Impacts to Data Sheet: None

Reason for Change: To Improve Productivity

Change Implementation Status: Complete

Date Document Changes Effective: 11 Nov 2021

NOTE: Please be advised that this is a change to the document only the product has not been changed.

Markings to Distinguish Revised from Unrevised Devices: N/A

Attachments:

[PIC32MM0256GPM064 Family Silicon Errata and Data Sheet Clarification](#)

Please contact your local [Microchip sales office](#) with questions or concerns regarding this notification.

Terms and Conditions:

If you wish to receive Microchip PCNs via email please register for our PCN email service at our [PCN home page](#) select register then fill in the required fields. You will find instructions about registering for Microchips PCN email service in the [PCN FAQ](#) section.

If you wish to change your PCN profile, including opt out, please go to the [PCN home page](#) select login and sign into your myMicrochip account. Select a profile option from the left navigation bar and make the applicable selections.

Affected Catalog Part Numbers (CPN)

PIC32MM0064GPM028-E/M6
PIC32MM0064GPM028-E/ML
PIC32MM0064GPM028-E/SS
PIC32MM0064GPM028-I/M6
PIC32MM0064GPM028-I/ML
PIC32MM0064GPM028-I/SS
PIC32MM0064GPM028T-I/M6
PIC32MM0064GPM028T-I/ML
PIC32MM0064GPM028T-I/SS
PIC32MM0064GPM036-E/M2
PIC32MM0064GPM036-E/MV
PIC32MM0064GPM036-I/M2
PIC32MM0064GPM036-I/MV
PIC32MM0064GPM036T-I/M2
PIC32MM0064GPM036T-I/MV
PIC32MM0064GPM048-E/M4
PIC32MM0064GPM048-E/PT
PIC32MM0064GPM048-I/M4
PIC32MM0064GPM048-I/PT
PIC32MM0064GPM048T-I/M4
PIC32MM0064GPM048T-I/PT
PIC32MM0064GPM064-E/MR
PIC32MM0064GPM064-E/PT
PIC32MM0064GPM064-E/PTVAO
PIC32MM0064GPM064-I/MR
PIC32MM0064GPM064-I/PT
PIC32MM0064GPM064T-I/MR
PIC32MM0064GPM064T-I/PT
PIC32MM0128GPM028-E/M6
PIC32MM0128GPM028-E/ML
PIC32MM0128GPM028-E/SS
PIC32MM0128GPM028-I/M6
PIC32MM0128GPM028-I/ML
PIC32MM0128GPM028-I/SS
PIC32MM0128GPM028T-I/M6
PIC32MM0128GPM028T-I/ML
PIC32MM0128GPM028T-I/SS
PIC32MM0128GPM036-E/M2
PIC32MM0128GPM036-E/MV
PIC32MM0128GPM036-I/M2
PIC32MM0128GPM036-I/MV
PIC32MM0128GPM036T-I/M2
PIC32MM0128GPM036T-I/MV
PIC32MM0128GPM048-E/M4
PIC32MM0128GPM048-E/PT
PIC32MM0128GPM048-I/M4

PIC32MM0128GPM048-I/PT
PIC32MM0128GPM048T-I/M4
PIC32MM0128GPM048T-I/PT
PIC32MM0128GPM064-E/MR
PIC32MM0128GPM064-E/MRVAO
PIC32MM0128GPM064-E/PT
PIC32MM0128GPM064-I/MR
PIC32MM0128GPM064-I/PT
PIC32MM0128GPM064T-I/MR
PIC32MM0128GPM064T-I/PT
PIC32MM0256GPM028-E/M6
PIC32MM0256GPM028-E/ML
PIC32MM0256GPM028-E/SS
PIC32MM0256GPM028-E/SSVAO
PIC32MM0256GPM028-I/M6
PIC32MM0256GPM028-I/ML
PIC32MM0256GPM028-I/MLVAO
PIC32MM0256GPM028-I/SS
PIC32MM0256GPM028T-I/M6
PIC32MM0256GPM028T-I/ML
PIC32MM0256GPM028T-I/ML026
PIC32MM0256GPM028T-I/ML028
PIC32MM0256GPM028T-I/MLVAO
PIC32MM0256GPM028T-I/SS
PIC32MM0256GPM036-E/M2
PIC32MM0256GPM036-E/MV
PIC32MM0256GPM036-I/M2
PIC32MM0256GPM036-I/MV
PIC32MM0256GPM036T-I/M2
PIC32MM0256GPM036T-I/MV
PIC32MM0256GPM036T-I/MVC36
PIC32MM0256GPM048-E/M4
PIC32MM0256GPM048-E/PT
PIC32MM0256GPM048-I/M4
PIC32MM0256GPM048-I/PT
PIC32MM0256GPM048T-I/M4
PIC32MM0256GPM048T-I/M4C48
PIC32MM0256GPM048T-I/M4D48
PIC32MM0256GPM048T-I/PT
PIC32MM0256GPM048T-I/PT027
PIC32MM0256GPM048T-I/PT029
PIC32MM0256GPM048T-I/PT030
PIC32MM0256GPM048T-I/PT033
PIC32MM0256GPM064-E/MR
PIC32MM0256GPM064-E/PT
PIC32MM0256GPM064-I/MR
PIC32MM0256GPM064-I/PT
PIC32MM0256GPM064-I/PTV01
PIC32MM0256GPM064T-E/MR035

PIC32MM0256GPM064T-E/MR036
PIC32MM0256GPM064T-I/MR
PIC32MM0256GPM064T-I/MR035
PIC32MM0256GPM064T-I/MR036
PIC32MM0256GPM064T-I/PT
PIC32MM0256GPM064T-I/PT023
PIC32MM0256GPM064T-I/PT025
PIC32MM0256GPM064T-I/PT034
PIC32MM0256GPM064T-I/PTC21
PIC32MM0256GPM064T-I/PTV01

PIC32MM0256GPM064 Family Silicon Errata and Data Sheet Clarification

The PIC32MM0256GPM064 family devices that you have received conform functionally to the current Device Data Sheet (DS60001387D), except for the anomalies described in this document.

The silicon issues discussed in the following pages are for silicon revisions with the Device and Revision IDs listed in [Table 1](#). The silicon issues are summarized in [Table 2](#).


The errata described in this document will be addressed in future revisions of the PIC32MM0256GPM064 silicon.

Note: This document summarizes all silicon errata issues from all revisions of silicon, previous as well as current. Only the issues indicated in the last column of [Table 2](#) apply to the current silicon revision (**A4**).

Data Sheet clarifications and corrections start on [page 10](#), following the discussion of silicon issues.

The silicon revision level can be identified using the current version of MPLAB® IDE and Microchip's programmers, debuggers and emulation tools, which are available at the Microchip corporate website (www.microchip.com).

For example, to identify the silicon revision level using MPLAB IDE in conjunction with a hardware debugger:

1. Using the appropriate interface, connect the device to the hardware debugger.
2. Open an MPLAB IDE project.
3. Configure the MPLAB IDE project for the appropriate device and hardware debugger.
4. Based on the version of MPLAB IDE you are using, do one of the following:
 - a) For MPLAB IDE 8, select *Programmer > Reconnect*.
 - b) For MPLAB X IDE, select *Window > Dashboard* and click the **Refresh Debug Tool Status** icon ().
5. Depending on the development tool used, the part number *and* Device Revision ID value appear in the **Output** window.

Note: If you are unable to extract the silicon revision level, please contact your local Microchip sales office for assistance.

The DEVREV values for the various PIC32MM0256GPM064 silicon revisions are shown in [Table 1](#).

TABLE 1: SILICON DEVREV VALUES

Part Number	Device ID ⁽¹⁾	Revision ID for Silicon Revision ⁽²⁾				Part Number	Device ID ⁽¹⁾	Revision ID for Silicon Revision ⁽²⁾			
		A1	A2	A3	A4			A1	A2	A3	A4
PIC32MM0064GPM028	0x7708	01h	02h	03h	04h	PIC32MM0064GPM048	0x772C	01h	02h	03h	04h
PIC32MM0128GPM028	0x7710					PIC32MM0128GPM048	0x7734				
PIC32MM0256GPM028	0x7718					PIC32MM0256GPM048	0x773C				
PIC32MM0064GPM036	0x770A					PIC32MM0064GPM064	0x770E				
PIC32MM0128GPM036	0x7712					PIC32MM0128GPM064	0x7716				
PIC32MM0256GPM036	0x771A					PIC32MM0256GPM064	0x771E				

- Note 1:** The Device IDs (DEVID and DEVREV) are located at the last two implemented addresses of configuration memory space. They are shown in hexadecimal in the format "DEVID DEVREV".
- 2:** Refer to the "PIC32MM Families Flash Programming Specification" (DS60001364) for detailed information on Device and Revision IDs for your specific device.

PIC32MM0256GPM064

TABLE 2: SILICON ISSUE SUMMARY

Module	Feature	Item Number	Issue Summary	Affected Revisions			
				A1	A2	A3	A4
1. Module:ADC	12-Bit Conversion	1.	The ADC may miss one or more of the following codes in 12-bit mode: 1023, 2046, 2047, 3070 and 3071.	X	X	X	X
2. Module:ADC	Format Options	2.	32-bit signed format option is the same as the 16-bit signed format option.	X	X	X	X
3. Module:UART	Receive Buffer Overflow Disable	3.	Overflow disable feature controlled by the OVFDIS bit is not functional.	X			
4. Module:MCCP	OCM3A Output	4.	The OCM3A output for MCCP3 is not functional.	X	X	X	X
5. Module:Primary Oscillator	Primary Oscillator Start-up Timer (OST)	5.	The Primary Oscillator Start-up Timer (OST) may indicate the oscillator is ready for use and set the POSCRDY (CLKSTAT[2]) bit too early.	X	X	X	X
6. Module:Reset	Reset	6.	Current consumption in Reset is high.	X	X	X	X
7. Module:Timer1	External Clock Mode	7.	Timer1 does not overflow in External Clock mode when PR1 = 1 and the prescaler is 1:1.	X	X	X	X
8. Module:Timer1	External Clock Mode	8.	The first increment value is not visible when using External Clock mode and a 1:1 prescaler.	X	X	X	X
9. Module:I ² C Client	I ² C Client	9.	I ² C line does not return to Idle after receiving a NACK from the Host. Writes to I2CxTRN are not ignored in this condition.	X	X	X	X
10. Module:I ² C Client	I ² C Client	10.	Client reports a Bus Collision (BLC) for every transaction when SBCDE is enabled.	X	X	X	X
11. Module:I ² C Client	I ² C Client	11.	When BOEN = 0, RBF = 0 and I2COV = 1, a NACK is generated but the address is not received.	X	X	X	X
12. Module:I ² C Client	I ² C Client	12.	The Client may ACK subsequent data after it has gone Idle after a NACK.	X	X	X	X
13. Module:I ² C Client	I ² C Client	13.	The Client will not Acknowledge reserved addresses in the '111_10xx' range, regardless of the STRICT setting.	X	X	X	X
14. Module:Power	Retention Sleep	14.	When the device wakes up from Retention Sleep mode, a device Reset may occur. The BOR, POR and EXTR bits in the RCON register are set erroneously for this Reset.	X			
15. Module:Programming	Programming	15.	The JTAG TDO (RC9) pin toggles during programming when using the PGEC1/PGED1 or PGEC2/PGED2 pairs.	X			
16. Module:Oscillator	Secondary Oscillator (SOSC)	16.	Enabling POSC in XT or HS mode may inhibit SOSC operation.	X			
17. Module:ADC	ADC Performance	17.	Enabling POSC in XT or HS mode may degrade ADC performance.	X			
18. Module:Power	BOR	18.	BOR: The main BOR may not function.	X	X		
19. Module:I/O	Schmitt Trigger Inputs	19.	Schmitt Trigger inputs may have glitches with slow signal rise/fall times.	X	X		
20. Module:SPI	SRMT Bit	20.	In SPI Client mode, the SRMT bit may be set if the FIFO or Shift register is not empty.	X	X	X	X

TABLE 2: SILICON ISSUE SUMMARY (CONTINUED)

Module	Feature	Item Number	Issue Summary	Affected Revisions			
				A1	A2	A3	A4
21. Module:ICSP™ Programming	Programming	21.	Programming in Retention Sleep.	X	X		
22. Module:ICSP Programming	Programming	22.	Self-programming after a POR or MCLR Reset.	X	X		
23. Module:MCCP	Single Edge Compare Mode	23.	The Single Edge Compare mode does not work when the Timebase Prescaler is not 1:1.	X	X		
24. Module:Reset	Configuration Mismatch	24.	The CMR bit in RCON may be erroneously set after a POR, BOR or when exiting Retention Sleep.	X	X		
25. Module:ADC	Current	25.	ADC draws additional current when enabled.	X	X	X	
26. Module:UART	UART	26.	The Stop bit is short by one baud clock.	X	X	X	
27. Module:Comparator	CEVT Bit	27.	The CMnCON.CEVT bit is not implemented.	X	X	X	X

PIC32MM0256GPM064

Silicon Errata Issues

Note: This document summarizes all silicon errata issues from all revisions of silicon, previous as well as current. Only the issues indicated by the shaded column in the following tables apply to the current silicon revision (**A4**).

1. Module: ADC

The ADC may miss one or more of the following codes in 12-bit mode: 1023, 2046, 2047, 3070 and 3071.

Work around

There is no work around in 12-bit mode. If all codes are desired in the application, use 10-Bit Operating mode.

Affected Silicon Revisions

A1	A2	A3	A4				
X	X	X	X				

2. Module: ADC

The 32-bit signed format option is the same as the 16-bit signed format option.

Work around

Use software to correct the output format. Sign-extend the ADC module's 16-bit signed integer output to a 32-bit signed integer. Using the MPLAB[®] XC32 C compiler, this can be accomplished by casting the ADC1BUFx SFR contents to a volatile short type, followed by a cast to a volatile int type.

Affected Silicon Revisions

A1	A2	A3	A4				
X	X	X	X				

3. Module: UART

The overflow disable feature controlled by the OVFDIS bit is not functional.

Work around

None.

Affected Silicon Revisions

A1	A2	A3	A4				
X							

4. Module: MCCP

The OCM3A output for MCCP3 is not functional.

Work around

Select the OCM3B, OCM3C, OCM3D output, or use MCCP1 OCM1A or MCCP2 OCM2A output.

Affected Silicon Revisions

A1	A2	A3	A4				
X	X	X	X				

5. Module: Primary Oscillator

The Primary Oscillator Start-up Timer (OST) may indicate the oscillator is ready for use and set the POSCRDY (CLKSTAT[2]) bit too early. Clocking the device before the oscillator is ready may result in incorrect execution and exceptions.

Work around

Make sure that the Primary Oscillator clock is ready before using it by following these steps:

1. Running on non-POSC source, request the POSC clock using a peripheral such as REFO.
2. Provide a delay to stabilize POSC.
3. Switch to the POSC source.

[Example 1](#) shows a work around for the device power-on and [Example 2](#) shows the work around when the device wakes from Sleep.

EXAMPLE 1: USING POSC AT POWER-ON

```
#pragma config FNOSC = FRCDIV          // Oscillator Selection bits (Fast RC oscillator (FRC))
// Clock Switching Enabled (Failsafe Clock Monitor can be enabled or disabled)
#pragma config FCKSM = CSECMD
-----
void main()
{
// configure REFO to request POSC
REF01CONbits.ROSEL = 2;                // POSC = 2
REF01CONbits.OE = 0;                   // disable output
REF01CONbits.ON = 1;                   // enable module
// wait for POSC stable clock
// this delay may vary depending on different application conditions
// such as voltage, temperature, layout, XT or HS mode and components
{ // delay for 9 ms
unsigned int start = __builtin_mfc0(_CP0_COUNT, _CP0_COUNT_SELECT);
while((__builtin_mfc0(_CP0_COUNT, _CP0_COUNT_SELECT)) - start < (unsigned int)(0.009*800000/2));
}
// unlock OSCCON
SYSKEY = 0;
SYSKEY = 0xAA996655;
SYSKEY = 0x556699AA;
// switch to POSC = 2
OSCCONCLR = _OSCCON_NOSC_MASK | _OSCCON_CLKLOCK_MASK | _OSCCON_OSWEN_MASK;
OSCCONSET = (2<<_OSCCON_NOSC_POSITION) | _OSCCON_OSWEN_MASK;
while(OSCCONbits.OSWEN == 1);          // wait for switch
```

EXAMPLE 2: USING POSC WHEN AWAKENED FROM SLEEP

```
// Clock Switching Enabled (Failsafe Clock Monitor can be enabled or disabled)
#pragma config FCKSM = CSECMD
// unlock OSCCON
SYSKEY = 0;
SYSKEY = 0xAA996655;
SYSKEY = 0x556699AA;
// switch to FRC = 0 before entering to sleep
OSCCONCLR = _OSCCON_NOSC_MASK | _OSCCON_CLKLOCK_MASK | _OSCCON_OSWEN_MASK;
OSCCONSET = (0<<_OSCCON_NOSC_POSITION) | _OSCCON_OSWEN_MASK;
while(OSCCONbits.OSWEN == 1);          // wait for switch
// enter sleep mode
asm volatile("wait");
// configure REFO to request POSC
REF01CONbits.ROSEL = 2;                // POSC = 2
REF01CONbits.OE = 0;                   // disable output
REF01CONbits.ON = 1;                   // enable module
// wait for POSC stable clock
// this delay may vary depending on different application conditions
// such as voltage, temperature, layout, XT or HS mode and components
{ // delay for 9 ms
unsigned int start = __builtin_mfc0(_CP0_COUNT, _CP0_COUNT_SELECT);
while((__builtin_mfc0(_CP0_COUNT, _CP0_COUNT_SELECT)) - start < (unsigned int)(0.009*800000/2));
}
// switch to POSC = 2
OSCCONCLR = _OSCCON_NOSC_MASK | _OSCCON_CLKLOCK_MASK | _OSCCON_OSWEN_MASK;
OSCCONSET = (2<<_OSCCON_NOSC_POSITION) | _OSCCON_OSWEN_MASK;
while(OSCCONbits.OSWEN == 1);          // wait for switch
```

Affected Silicon Revisions

A1	A2	A3	A4				
X	X	X	X				

PIC32MM0256GPM064

6. Module: Reset

Current consumption in Master Clear Reset is high.

Work around

Do not use $\overline{\text{MCLR}}$ to hold device in Reset to save power.

Affected Silicon Revisions

A1	A2	A3	A4				
X	X	X	X				

7. Module: Timer1

Timer1 does not overflow in External Clock mode when PR1 = 1 and the prescaler is 1:1.

Work around

Use a PR1 value greater than one.

Affected Silicon Revisions

A1	A2	A3	A4				
X	X	X	X				

8. Module: Timer1

The first increment value is not visible when using External Clock mode and a 1:1 prescaler.

Work around

None.

Affected Silicon Revisions

A1	A2	A3	A4				
X	X	X	X				

9. Module: I²C Client

The I²C line does not return to Idle after receiving a NACK from the Host. Writes to I2CxTRN are not ignored in this condition.

Work around

Do not write to the I2CxTRN register after a NACK has been received.

Affected Silicon Revisions

A1	A2	A3	A4				
X	X	X	X				

10. Module: I²C Client

Client reports a Bus Collision (BLC) for every transaction when SBCDE is enabled.

Work around

Do not enable SBCDE.

Affected Silicon Revisions

A1	A2	A3	A4				
X	X	X	X				

11. Module: I²C Client

When BOEN = 0, RBF = 0, and I2COV = 1 a NACK is generated, but the address is not received.

Work around

Service the receive buffer to prevent an overflow.

Affected Silicon Revisions

A1	A2	A3	A4				
X	X	X	X				

12. Module: I²C Client

The Client may ACK subsequent data after it has gone Idle after a NACK.

Work around

The Host should not send data following a NACK without generating a Start condition

Affected Silicon Revisions

A1	A2	A3	A4				
X	X	X	X				

13. Module: I²C Client

The Client will not Acknowledge reserved addresses in the '111_10xx' range, regardless of the STRICT bit setting.

Work around

None.

Affected Silicon Revisions

A1	A2	A3	A4				
X	X	X	X				

14. Module: Power

When the device wakes up from Retention Sleep mode, a device Reset may occur. The BOR, POR and EXTR bits in RCON register are set erroneously for this Reset.

Work around

To provide a consistent behavior when the device wakes up from the Retention Sleep mode, the software sequence should be performed following the `SLEEP` instruction. In this case, a Reset will always be generated when the device wakes up from Retention Sleep.

Affected Silicon Revisions

A1	A2	A3	A4				
X							

15. Module: Programming

The JTAG TDO (RC9) pin toggles during programming when using the PGEC1/PGED1 or PGEC2/PGED2 pairs.

Work around

Do not connect external circuitry to the TDO pin that cannot tolerate toggling when programming using the PGEC1/PGED1 or PGEC2/PGED2 pins.

Affected Silicon Revisions

A1	A2	A3	A4				
X							

16. Module: Oscillator

Enabling POSC in XT or HS mode may inhibit SOSC operation.

Work around

If SOSC operation is required, use FRC or FRCPLL instead of POSC.

Affected Silicon Revisions

A1	A2	A3	A4				
X							

17. Module: ADC

Enabling POSC in XT or HS mode may degrade ADC performance in 10-bit and 12-bit mode.

Work around

If ADC operation that meets the data sheet specification is required, use FRC or FRCPLL instead of POSC.

Affected Silicon Revisions

A1	A2	A3	A4				
X							

18. Module: Power

The main BOR may not occur when the operating voltage drops below the BOR trip voltage.

Work around

Ensure the device operating voltage does not violate the specified values.

Use an external supervisor circuit to reset the device if the operating voltage can be outside the specified values.

Affected Silicon Revisions

A1	A2	A3	A4				
X	X						

19. Module: I/O

If the input signal rise or fall time is more than 500 nS, the I/O Schmitt Trigger output may have glitches.

Work around

The rise/fall time of the input signal must be less than 500 nS.

Affected Silicon Revisions

A1	A2	A3	A4				
X	X						

PIC32MM0256GPM064

20. Module: SPI

In SPI Client mode, the SRMT bit may be set if the FIFO or Shift register is not empty.

Work around

The following work arounds can be implemented in the application to detect when the FIFO and Shift register are empty:

1. Check the SPITBF bit before checking the SRMT bit. If the SPITBF flag is cleared and the SRMT flag is set, then all data were transmitted. [Example 3](#) demonstrates the SPITBF and SRMT bits polling.
2. Read the SRMT bit twice, back-to-back. If the SRMT bit is set two reads in a row, then the FIFO and Shift register are empty. [Example 4](#) demonstrates the SRMT bit polling using double read.

EXAMPLE 3: EMPTY STATUS DETECTION USING SPITBF AND SRMT BITS POLLING

```
// Both flags must indicate empty status.
while(SPI1STATLbits.SPITBF);
while(!SPI1STATLbits.SRMT);
```

EXAMPLE 4: EMPTY STATUS DETECTION USING SRMT BIT POLLING WITH BACK-TO-BACK READS

```
// If SRMT bit is set two reads in a row
then it set correctly.
asm volatile("\n\
la $t0, SPI1STAT;\
loop:;\
lw $t1, 0($t0);\
lw $t2, 0($t0);\
and $t1, $t1, $t2;\
andi $t1, $t2, 0x80;\
beqz $t1, loop;");
```

Affected Silicon Revisions

A1	A2	A3	A4				
X	X	X	X				

21. Module: ICSP™ Programming

After a POR or $\overline{\text{MCLR}}$ Reset, the device may fail to program if Retention Sleep is invoked within 40 ms.

Work around

Provide a delay in firmware to ensure the device does not enter Retention Sleep within 40 ms of a POR or MCLR Reset.

Affected Silicon Revisions

A1	A2	A3	A4				
X	X						

22. Module: ICSP Programming

After a POR or $\overline{\text{MCLR}}$ Reset, the device may fail to program using ICSP if user firmware performs self-programming within 40 ms.

Work around

Provide a delay in firmware to ensure the device does not perform self-programming within 40 ms of a POR or MCLR Reset.

Affected Silicon Revisions

A1	A2	A3	A4				
X	X						

23. Module: MCCP

The Single Edge Compare mode does not work when the Timebase Prescaler is not 1:1.

Work around

Use 1:1 Prescaler value.

Affected Silicon Revisions

A1	A2	A3	A4				
X	X						

24. Module: Reset

The CMR bit in RCON may be erroneously set after a POR, BOR, or when exiting Retention Sleep.

Work around

Clear the CMR bit following a POR, BOR, or exit from Retention Sleep.

Affected Silicon Revisions

A1	A2	A3	A4				
X	X						

25. Module: ADC

On some devices, the current draw may increase by up to 12 mA when the ADC is enabled. This current draw is not affected by the device Power Save modes or ADC configuration. This additional current does not affect the ADC or device performance.

Work around

Disable the ADC when it is not converting or not used in the application.

Affected Silicon Revisions

A1	A2	A3	A4				
X	X	X					

26. Module: UART

The Stop bit is short by one baud clock. In BRGH = 0 mode, the Stop bit is short by 1/16 bit time. In BRGH = 1 mode, the Stop bit is short by 1/4 bit time. When two Stop bits are enabled, the total Stop bit time is short by 1/16 or 1/4 bit time based on the BRGH mode.

Work around

1. Use a timer driven interrupt to write data to the UART Transmit Shift register, one byte at a time. The timer period must be greater than the sum of the number of bits in the serial data, the Start bit and the Stop bit(s). The difference in time between interrupt timer period and the sum of bit time creates the line Idle time needed to extend the Stop bit.

For example, at 9600 baud, eight data bits, one Stop bit: $10 * 104.17 \mu s = 1041.7 \mu s$. The time between writes to the UART TX buffer must be greater than 1041.7 μs

2.a If only transmission is required, use two Stop bits. This will be interpreted by a UART configured for one Stop bit as one Stop bit and a 15/16 bit time line Idle.

2.b If transmit and receive are required, use two UARTs. Configure one for transmit (as described in #1 above); configure the other UART for receive with one Stop bit.

Affected Silicon Revisions

A1	A2	A3	A4				
X	X	X					

27. Module: Comparator

The Comparator Event bit, CMnCON.CEVT ($n = 0,1,2$), is not implemented.

Work around

Comparator event status is available in the CMSTAT.CnEVT bits ($n = 0,1,2$). Enabling the next comparator event by zeroing the CEVT bit is not required.

Affected Silicon Revisions

A1	A2	A3	A4				
X	X	X	X				

PIC32MM0256GPM064

Data Sheet Clarifications

The following typographic corrections and clarifications are to be noted for the latest version of the device data sheet (DS60001387D):

<p>Note: Corrections are shown in bold. Where possible, the original bold text formatting has been removed for clarity.</p>

1. Module: Electrical Characteristics

In **TABLE 29-1: THERMAL OPERATING CONDITIONS**, the maximum value for the PIC32MM0XXXGPM0XX Operating Junction Temperature Range (T_J) has changed from +125°C to 140°C.

2. Module: Pin Diagrams: 48-Pin UQFN, TQFP

Note 3 is applicable for the 48-pin UQFN package only. The Thermal pad is not available on the 48-pin TQFP Package.

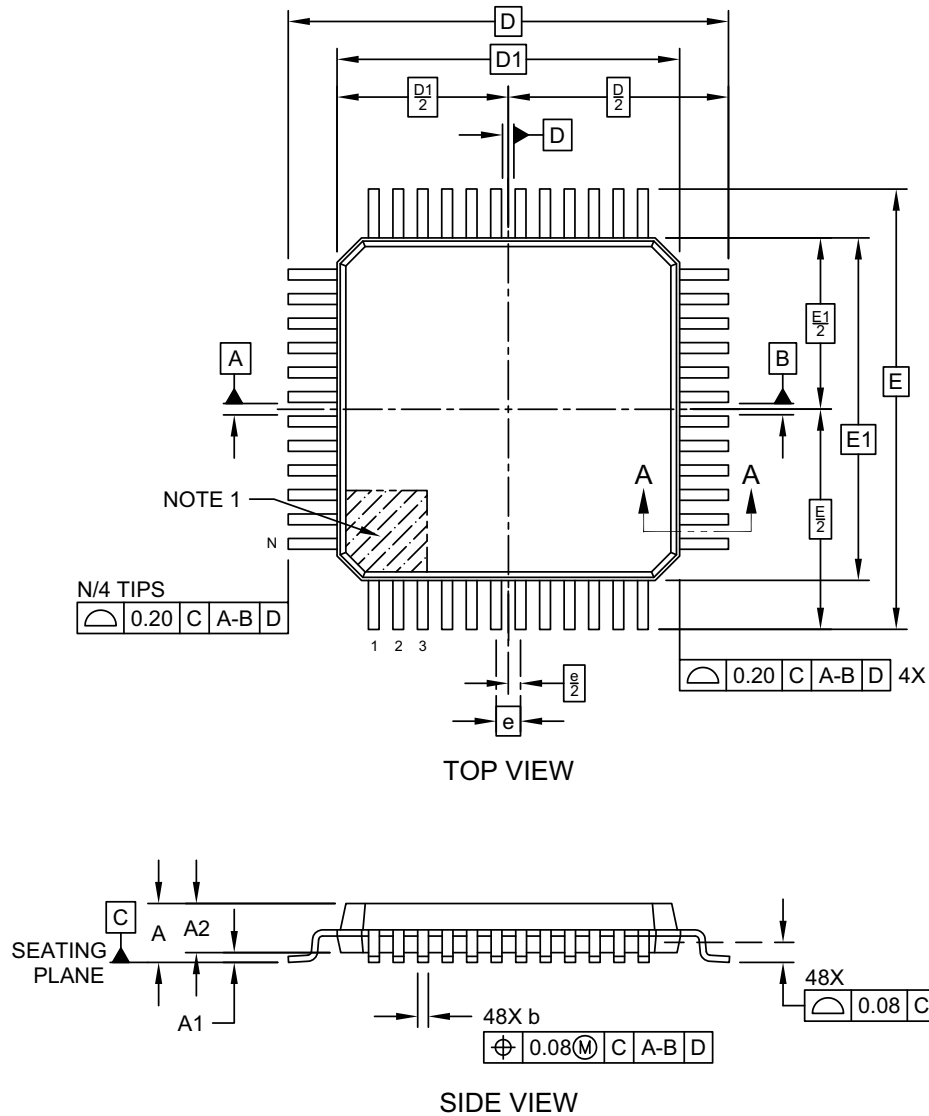
PIC32MM0256GPM064

3. Module: Package Details/Drawing: 48-Pin TQFP

The following figure shows the updated package drawing for the 48-Pin TQFP Device:

48-Lead Plastic Thin Quad Flatpack (Y8X) - 7x7x1.0 mm Body [TQFP]

Note: For the most current package drawings, please see the Microchip Packaging Specification located at <http://www.microchip.com/packaging>

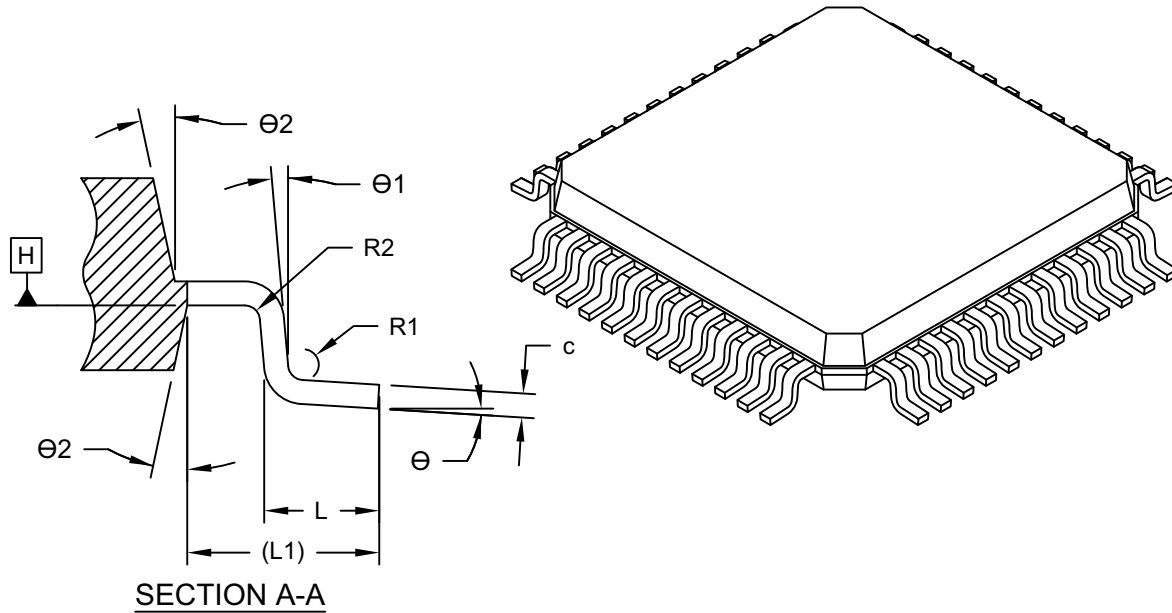


Microchip Technology Drawing C04-300-Y8X Rev D Sheet 1 of 2

PIC32MM0256GPM064

48-Lead Plastic Thin Quad Flatpack (Y8X) - 7x7x1.0 mm Body [TQFP]

Note: For the most current package drawings, please see the Microchip Packaging Specification located at <http://www.microchip.com/packaging>



Dimension Limits	Units	MILLIMETERS		
		MIN	NOM	MAX
Number of Terminals	N	48		
Pitch	e	0.50 BSC		
Overall Height	A	-	-	1.20
Standoff	A1	0.05	-	0.15
Molded Package Thickness	A2	0.95	1.00	1.05
Overall Length	D	9.00 BSC		
Molded Package Length	D1	7.00 BSC		
Overall Width	E	9.00 BSC		
Molded Package Width	E1	7.00 BSC		
Terminal Width	b	0.17	0.22	0.27
Terminal Thickness	c	0.09	-	0.16
Terminal Length	L	0.45	0.60	0.75
Footprint	L1	1.00 REF		
Lead Bend Radius	R1	0.08	-	-
Lead Bend Radius	R2	0.08	-	0.20
Foot Angle	θ	0°	3.5°	7°
Lead Angle	θ_1	0°	-	-
Mold Draft Angle	θ_2	11°	12°	13°

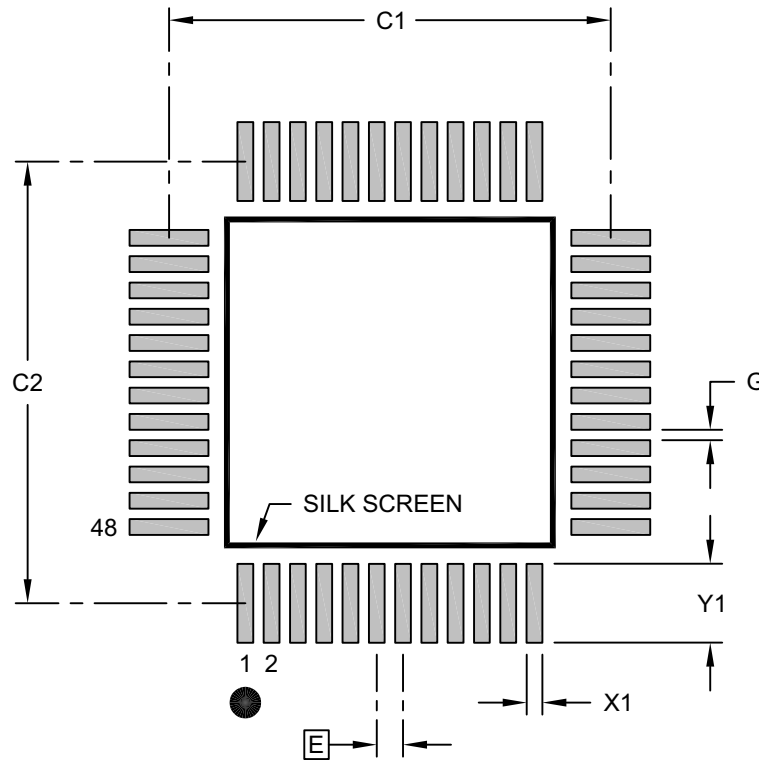
Notes:

- Pin 1 visual index feature may vary, but must be located within the hatched area.
- Dimensioning and tolerancing per ASME Y14.5M
 BSC: Basic Dimension. Theoretically exact value shown without tolerances.
 REF: Reference Dimension, usually without tolerance, for information purposes only.

PIC32MM0256GPM064

48-Lead Plastic Thin Quad Flatpack (Y8X) - 7x7x1.0 mm Body [TQFP]

Note: For the most current package drawings, please see the Microchip Packaging Specification located at <http://www.microchip.com/packaging>



RECOMMENDED LAND PATTERN

Dimension Limits	Units	MILLIMETERS		
		MIN	NOM	MAX
Contact Pitch	E	0.50 BSC		
Contact Pad Spacing	C1		8.40	
Contact Pad Spacing	C2		8.40	
Contact Pad Width (X48)	X1			0.30
Contact Pad Length (X48)	Y1			1.50
Distance Between Pads	G	0.20		

Notes:

1. Dimensioning and tolerancing per ASME Y14.5M
BSC: Basic Dimension. Theoretically exact value shown without tolerances.
2. For best soldering results, thermal vias, if used, should be filled or tented to avoid solder loss during reflow process

Microchip Technology Drawing C04-2300-Y8X Rev D

PIC32MM0256GPM064

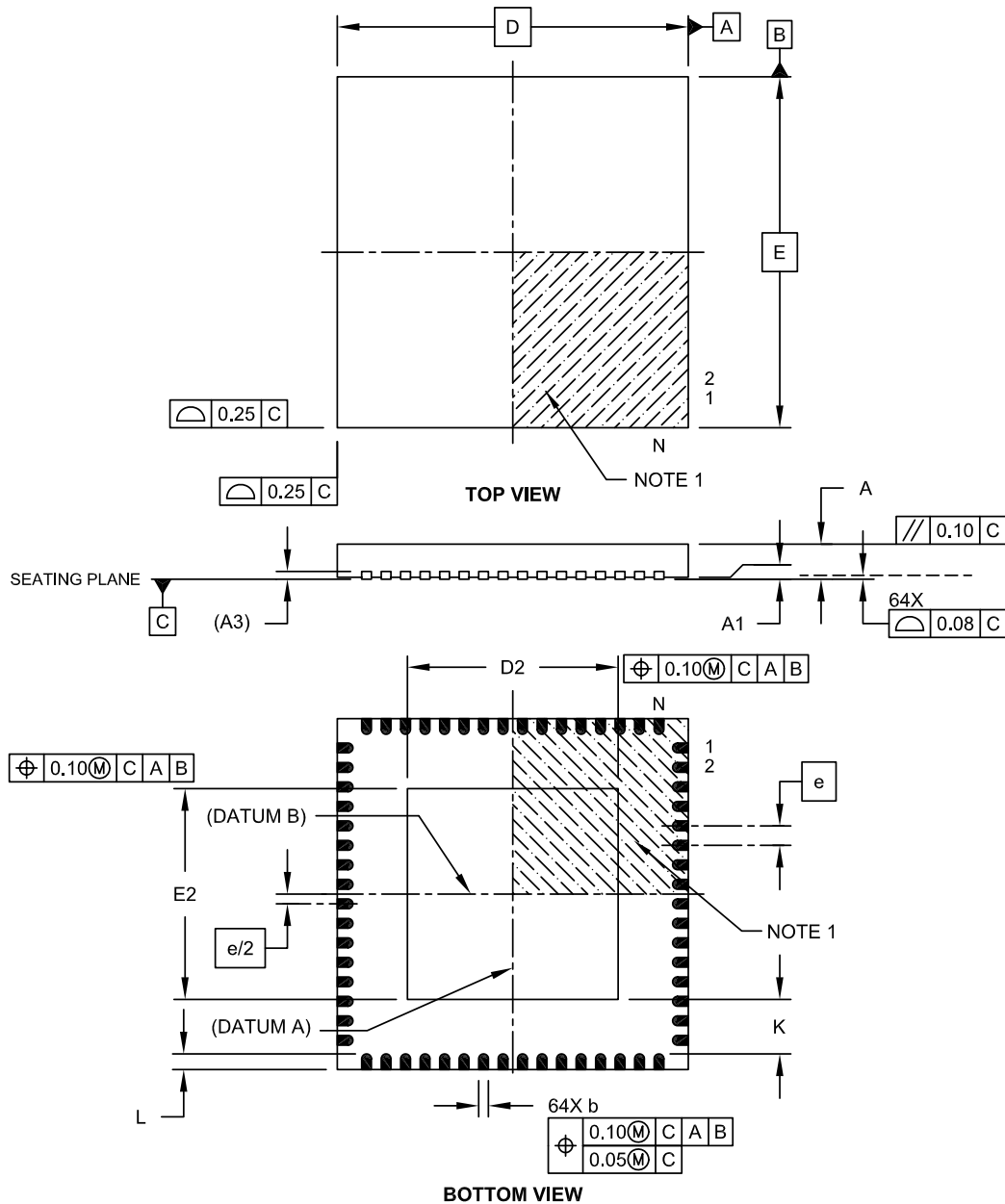
4. Module: Pin Diagrams: 64-Pin QFN, TQFP

Note 3 is applicable for the 64-pin QFN package only. The Thermal pad is not available on the 64-Pin TQFP package.

5. Module: Package Details/Drawing: 64-Pin QFN

The following figure shows the updated package drawing for the 64-Pin QFN device.

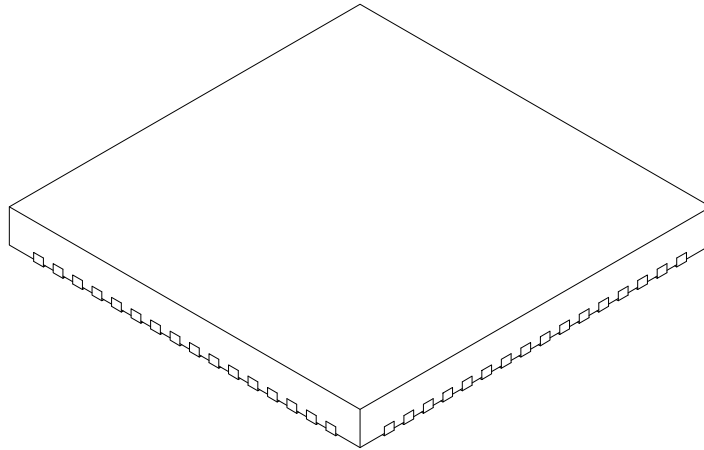
64-Lead Plastic Quad Flat, No Lead Package (MR) – 9x9x0.9 mm Body with 5.40 x 5.40 Exposed Pad [QFN]



Microchip Technology Drawing C04-154A Sheet 1 of 2

PIC32MM0256GPM064

64-Lead Plastic Quad Flat, No Lead Package (MR) – 9x9x0.9 mm Body
with 5.40 x 5.40 Exposed Pad [QFN]



Dimension Limits	Units	MILLIMETERS		
		MIN	NOM	MAX
Number of Pins	N	64		
Pitch	e	0.50 BSC		
Overall Height	A	0.80	0.90	1.00
Standoff	A1	0.00	0.02	0.05
Contact Thickness	A3	0.20 REF		
Overall Width	E	9.00 BSC		
Exposed Pad Width	E2	5.30	5.40	5.50
Overall Length	D	9.00 BSC		
Exposed Pad Length	D2	5.30	5.40	5.50
Contact Width	b	0.20	0.25	0.30
Contact Length	L	0.30	0.40	0.50
Contact-to-Exposed Pad	K	0.20	-	-

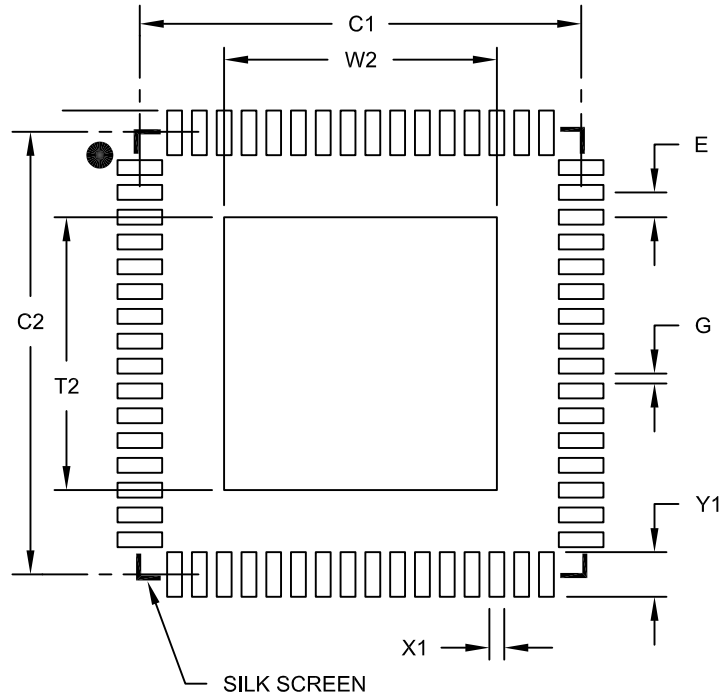
Notes:

1. Pin 1 visual index feature may vary, but must be located within the hatched area.
2. Package is saw singulated.
3. Dimensioning and tolerancing per ASME Y14.5M.
 - BSC: Basic Dimension. Theoretically exact value shown without tolerances.
 - REF: Reference Dimension, usually without tolerance, for information purposes only.

Microchip Technology Drawing C04-154A Sheet 2 of 2

PIC32MM0256GPM064

64-Lead Plastic Quad Flat, No Lead Package (MR) – 9x9x0.9 mm Body [QFN]
 With 0.40 mm Contact Length and 5.40x5.40mm Exposed Pad



RECOMMENDED LAND PATTERN

Dimension Limits	Units	MILLIMETERS		
		MIN	NOM	MAX
Contact Pitch	E	0.50 BSC		
Optional Center Pad Width	W2			5.50
Optional Center Pad Length	T2			5.50
Contact Pad Spacing	C1		8.90	
Contact Pad Spacing	C2		8.90	
Contact Pad Width (X64)	X1			0.30
Contact Pad Length (X64)	Y1			0.85
Distance Between Pads	G	0.20		

Notes:

1. Dimensioning and tolerancing per ASME Y14.5M

BSC: Basic Dimension. Theoretically exact value shown without tolerances.

Microchip Technology Drawing No. C04-2154A

APPENDIX A: DOCUMENT REVISION HISTORY

Rev A Document (3/2017)

Initial release of this document; issued for revision A1.

Rev B Document (5/2017)

Added silicon revision **A2**.

Updated [Table 1](#) and [Table 2](#).

Added new silicon issues 18 ([18. Module:Power](#)), 19 ([19. Module:I/O](#)), 20 ([20. Module:SPI](#)) and 21 ([21. Module:ICSP™ Programming](#)).

Rev C Document (6/2017)

Updated [Table 2](#).

Added new silicon issues 22 ([22. Module:ICSP Programming](#)).

Added new data sheet clarification 1 (Electrical Characteristics).

Rev D Document (7/2018)

Added silicon revision **A3**.

Added new silicon issues 23 ([23. Module:MCCP](#)) and 24 ([24. Module:Reset](#)).

Removed data sheet clarification 1 (Electrical Characteristics) since this issue was corrected in the latest data sheet revision DS60001387C.

Rev E Document (1/2019)

Added silicon issue 25 ([25. Module:ADC](#)).

Rev F Document (4/2020)

Added silicon revision **A4**.

Added silicon issue 26 ([26. Module:UART](#)).

Rev G Document (10/2020)

Added data sheet clarification 1 ([1. Module:Electrical Characteristics](#)).

Rev H Document (01/2021)

Numerous typographical changes were made throughout the document.

The following Data Sheet clarifications were added:

- [2. Module:Pin Diagrams: 48-Pin UQFN, TQFP](#)
- [3. Module:Package Details/Drawing: 48-Pin TQFP](#)
- [4. Module:Pin Diagrams: 64-Pin QFN, TQFP](#)
- [5. Module:Package Details/Drawing: 64-Pin QFN](#)

Updated the following errata modules with a new verbiage: replaced the term “Slave” with “Client” and “Master” with “Host”.

- [9. Module:I²C Client](#)
- [10. Module:I²C Client](#)
- [11. Module:I²C Client](#)
- [12. Module:I²C Client](#)
- [13. Module:I²C Client](#)
- [20. Module:SPI](#)

Rev J Document (11/2021)

The following errata was added in this revision:

- [27. Module:Comparator](#)

PIC32MM0256GPM064

NOTES:

Note the following details of the code protection feature on Microchip products:

- Microchip products meet the specifications contained in their particular Microchip Data Sheet.
- Microchip believes that its family of products is secure when used in the intended manner, within operating specifications, and under normal conditions.
- Microchip values and aggressively protects its intellectual property rights. Attempts to breach the code protection features of Microchip product is strictly prohibited and may violate the Digital Millennium Copyright Act.
- Neither Microchip nor any other semiconductor manufacturer can guarantee the security of its code. Code protection does not mean that we are guaranteeing the product is “unbreakable”. Code protection is constantly evolving. Microchip is committed to continuously improving the code protection features of our products.

This publication and the information herein may be used only with Microchip products, including to design, test, and integrate Microchip products with your application. Use of this information in any other manner violates these terms. Information regarding device applications is provided only for your convenience and may be superseded by updates. It is your responsibility to ensure that your application meets with your specifications. Contact your local Microchip sales office for additional support or, obtain additional support at <https://www.microchip.com/en-us/support/design-help/client-support-services>.

THIS INFORMATION IS PROVIDED BY MICROCHIP "AS IS". MICROCHIP MAKES NO REPRESENTATIONS OR WARRANTIES OF ANY KIND WHETHER EXPRESS OR IMPLIED, WRITTEN OR ORAL, STATUTORY OR OTHERWISE, RELATED TO THE INFORMATION INCLUDING BUT NOT LIMITED TO ANY IMPLIED WARRANTIES OF NON-INFRINGEMENT, MERCHANTABILITY, AND FITNESS FOR A PARTICULAR PURPOSE, OR WARRANTIES RELATED TO ITS CONDITION, QUALITY, OR PERFORMANCE.

IN NO EVENT WILL MICROCHIP BE LIABLE FOR ANY INDIRECT, SPECIAL, PUNITIVE, INCIDENTAL, OR CONSEQUENTIAL LOSS, DAMAGE, COST, OR EXPENSE OF ANY KIND WHATSOEVER RELATED TO THE INFORMATION OR ITS USE, HOWEVER CAUSED, EVEN IF MICROCHIP HAS BEEN ADVISED OF THE POSSIBILITY OR THE DAMAGES ARE FORESEEABLE. TO THE FULLEST EXTENT ALLOWED BY LAW, MICROCHIP'S TOTAL LIABILITY ON ALL CLAIMS IN ANY WAY RELATED TO THE INFORMATION OR ITS USE WILL NOT EXCEED THE AMOUNT OF FEES, IF ANY, THAT YOU HAVE PAID DIRECTLY TO MICROCHIP FOR THE INFORMATION.

Use of Microchip devices in life support and/or safety applications is entirely at the buyer's risk, and the buyer agrees to defend, indemnify and hold harmless Microchip from any and all damages, claims, suits, or expenses resulting from such use. No licenses are conveyed, implicitly or otherwise, under any Microchip intellectual property rights unless otherwise stated.

For information regarding Microchip's Quality Management Systems, please visit www.microchip.com/quality.

Trademarks

The Microchip name and logo, the Microchip logo, Adaptec, AnyRate, AVR, AVR logo, AVR Freaks, BesTime, BitCloud, CryptoMemory, CryptoRF, dsPIC, flexPWR, HELDO, IGLOO, JukeBlox, KeeLoq, Kleer, LANCheck, LinkMD, maXStylus, maXTouch, MediaLB, megaAVR, Microsemi, Microsemi logo, MOST, MOST logo, MPLAB, OptoLyzer, PIC, picoPower, PICSTART, PIC32 logo, PolarFire, Prochip Designer, QTouch, SAM-BA, SenGenuity, SpyNIC, SST, SST Logo, SuperFlash, Symmetricom, SyncServer, Tachyon, TimeSource, tinyAVR, UNI/O, Vectron, and XMEGA are registered trademarks of Microchip Technology Incorporated in the U.S.A. and other countries.

AgileSwitch, APT, ClockWorks, The Embedded Control Solutions Company, EtherSynch, Flashtec, Hyper Speed Control, HyperLight Load, IntelliMOS, Libero, motorBench, mTouch, Powermite 3, Precision Edge, ProASIC, ProASIC Plus, ProASIC Plus logo, QuietWire, SmartFusion, SyncWorld, Temux, TimeCesium, TimeHub, TimePictra, TimeProvider, TrueTime, WinPath, and ZL are registered trademarks of Microchip Technology Incorporated in the U.S.A.

Adjacent Key Suppression, AKS, Analog-for-the-Digital Age, Any Capacitor, AnyIn, AnyOut, Augmented Switching, BlueSky, BodyCom, CodeGuard, CryptoAuthentication, CryptoAutomotive, CryptoCompanion, CryptoController, dsPICDEM, dsPICDEM.net, Dynamic Average Matching, DAM, ECAN, Espresso T1S, EtherGREEN, GridTime, IdealBridge, In-Circuit Serial Programming, ICSP, INICnet, Intelligent Paralleling, Inter-Chip Connectivity, JitterBlocker, Knob-on-Display, maxCrypto, maxView, memBrain, Mindi, MiWi, MPASM, MPF, MPLAB Certified logo, MPLIB, MPLINK, MultiTRAK, NetDetach, NVM Express, NVMe, Omniscient Code Generation, PICDEM, PICDEM.net, PICKit, PICtail, PowerSmart, PureSilicon, QMatrix, REAL ICE, Ripple Blocker, RTAX, RTG4, SAM-ICE, Serial Quad I/O, simpleMAP, SimpliPHY, SmartBuffer, SmartHLS, SMART-I.S., storClad, SQL, SuperSwitcher, SuperSwitcher II, Switchtec, SynchroPHY, Total Endurance, TSHARC, USBCheck, VariSense, VectorBlox, VeriPHY, ViewSpan, WiperLock, XpressConnect, and ZENA are trademarks of Microchip Technology Incorporated in the U.S.A. and other countries.

SQTP is a service mark of Microchip Technology Incorporated in the U.S.A.

The Adaptec logo, Frequency on Demand, Silicon Storage Technology, Symmcom, and Trusted Time are registered trademarks of Microchip Technology Inc. in other countries.

GestIC is a registered trademark of Microchip Technology Germany II GmbH & Co. KG, a subsidiary of Microchip Technology Inc., in other countries.

All other trademarks mentioned herein are property of their respective companies.

© 2017-2021, Microchip Technology Incorporated and its subsidiaries.

All Rights Reserved.

ISBN: 978-1-5224-9270-2



MICROCHIP

Worldwide Sales and Service

AMERICAS

Corporate Office
2355 West Chandler Blvd.
Chandler, AZ 85224-6199
Tel: 480-792-7200
Fax: 480-792-7277
Technical Support:
<http://www.microchip.com/support>
Web Address:
www.microchip.com

Atlanta

Duluth, GA
Tel: 678-957-9614
Fax: 678-957-1455

Austin, TX

Tel: 512-257-3370

Boston

Westborough, MA
Tel: 774-760-0087
Fax: 774-760-0088

Chicago

Itasca, IL
Tel: 630-285-0071
Fax: 630-285-0075

Dallas

Addison, TX
Tel: 972-818-7423
Fax: 972-818-2924

Detroit

Novi, MI
Tel: 248-848-4000

Houston, TX

Tel: 281-894-5983

Indianapolis

Noblesville, IN
Tel: 317-773-8323
Fax: 317-773-5453
Tel: 317-536-2380

Los Angeles

Mission Viejo, CA
Tel: 949-462-9523
Fax: 949-462-9608
Tel: 951-273-7800

Raleigh, NC

Tel: 919-844-7510

New York, NY

Tel: 631-435-6000

San Jose, CA

Tel: 408-735-9110
Tel: 408-436-4270

Canada - Toronto

Tel: 905-695-1980
Fax: 905-695-2078

ASIA/PACIFIC

Australia - Sydney
Tel: 61-2-9868-6733

China - Beijing
Tel: 86-10-8569-7000

China - Chengdu
Tel: 86-28-8665-5511

China - Chongqing
Tel: 86-23-8980-9588

China - Dongguan
Tel: 86-769-8702-9880

China - Guangzhou
Tel: 86-20-8755-8029

China - Hangzhou
Tel: 86-571-8792-8115

China - Hong Kong SAR
Tel: 852-2943-5100

China - Nanjing
Tel: 86-25-8473-2460

China - Qingdao
Tel: 86-532-8502-7355

China - Shanghai
Tel: 86-21-3326-8000

China - Shenyang
Tel: 86-24-2334-2829

China - Shenzhen
Tel: 86-755-8864-2200

China - Suzhou
Tel: 86-186-6233-1526

China - Wuhan
Tel: 86-27-5980-5300

China - Xian
Tel: 86-29-8833-7252

China - Xiamen
Tel: 86-592-2388138

China - Zhuhai
Tel: 86-756-3210040

ASIA/PACIFIC

India - Bangalore
Tel: 91-80-3090-4444

India - New Delhi
Tel: 91-11-4160-8631

India - Pune
Tel: 91-20-4121-0141

Japan - Osaka
Tel: 81-6-6152-7160

Japan - Tokyo
Tel: 81-3-6880-3770

Korea - Daegu
Tel: 82-53-744-4301

Korea - Seoul
Tel: 82-2-554-7200

Malaysia - Kuala Lumpur
Tel: 60-3-7651-7906

Malaysia - Penang
Tel: 60-4-227-8870

Philippines - Manila
Tel: 63-2-634-9065

Singapore
Tel: 65-6334-8870

Taiwan - Hsin Chu
Tel: 886-3-577-8366

Taiwan - Kaohsiung
Tel: 886-7-213-7830

Taiwan - Taipei
Tel: 886-2-2508-8600

Thailand - Bangkok
Tel: 66-2-694-1351

Vietnam - Ho Chi Minh
Tel: 84-28-5448-2100

EUROPE

Austria - Wels
Tel: 43-7242-2244-39
Fax: 43-7242-2244-393

Denmark - Copenhagen
Tel: 45-4485-5910
Fax: 45-4485-2829

Finland - Espoo
Tel: 358-9-4520-820

France - Paris
Tel: 33-1-69-53-63-20
Fax: 33-1-69-30-90-79

Germany - Garching
Tel: 49-8931-9700

Germany - Haan
Tel: 49-2129-3766400

Germany - Heilbronn
Tel: 49-7131-72400

Germany - Karlsruhe
Tel: 49-721-625370

Germany - Munich
Tel: 49-89-627-144-0
Fax: 49-89-627-144-44

Germany - Rosenheim
Tel: 49-8031-354-560

Israel - Ra'anana
Tel: 972-9-744-7705

Italy - Milan
Tel: 39-0331-742611
Fax: 39-0331-466781

Italy - Padova
Tel: 39-049-7625286

Netherlands - Drunen
Tel: 31-416-690399
Fax: 31-416-690340

Norway - Trondheim
Tel: 47-7288-4388

Poland - Warsaw
Tel: 48-22-3325737

Romania - Bucharest
Tel: 40-21-407-87-50

Spain - Madrid
Tel: 34-91-708-08-90
Fax: 34-91-708-08-91

Sweden - Gothenberg
Tel: 46-31-704-60-40

Sweden - Stockholm
Tel: 46-8-5090-4654

UK - Wokingham
Tel: 44-118-921-5800
Fax: 44-118-921-5820