

# Rocker Switch

## 22mm x 30mm

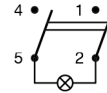
**multicomp** PRO



MP008555



MP008556



Wiring diagram

**RoHS  
Compliant**

### Description

22mm x 30mm Rocker Switches – panel mount switches suitable for a variety of applications. Typical applications include coffee machines, refrigerators, vacuum cleaners, HVAC equipment and medical appliances. Can be fitted with MP004426 splash proof cap to provide IP65 protection.

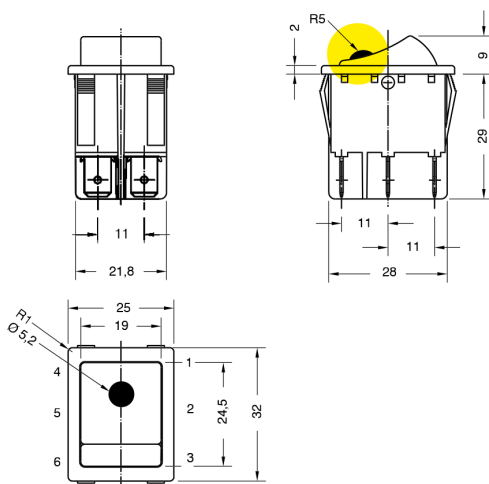
### Features

- 22mm x 30mm cut-out
- DPST on-off latching
- 20A 250V
- 6.3mm x 0.8mm fast-on tabs
- All black with Blue or Red neon dot illumination
- UL, ENEC, CE approvals

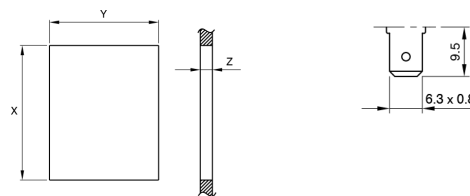
### Rating

- 20 (2) A / 250V AC\*
- 16 (8) A / 250V AC
- 10 (6) A / 250V AC - 5E4
- T125/55°C
- EN 61058

### Dimensions



### Terminal



		Z	Y	X
Standard	Plastic	0.7 - 3.5	22 ±0.1	30 - +0.2 0
Waterproof Cap Version	Metal	0.7 - 2.5		30.2 - +0.2 0

Dimensions : Millimetres

### Part Number Table

Description	Part Number
Rocker Switch, DPST, Blue Dot Illum, 22mm x 30mm	MP008555
Rocker Switch, DPST, Red Dot Illum, 22mm x 30mm	MP008556

**Important Notice :** This data sheet and its contents (the "Information") belong to the members of the AVNET group of companies (the "Group") or are licensed to it. No licence is granted for the use of it other than for information purposes in connection with the products to which it relates. No licence of any intellectual property rights is granted. The Information is subject to change without notice and replaces all data sheets previously supplied. The Information supplied is believed to be accurate but the Group assumes no responsibility for its accuracy or completeness, any error in or omission from it or for any use made of it. Users of this data sheet should check for themselves the Information and the suitability of the products for their purpose and not make any assumptions based on information included or omitted. Liability for loss or damage resulting from any reliance on the Information or use of it (including liability resulting from negligence or where the Group was aware of the possibility of such loss or damage arising) is excluded. This will not operate to limit or restrict the Group's liability for death or personal injury resulting from its negligence. Multicomp Pro is the registered trademark of Premier Farnell Limited 2019.

Newark.com/multicomp-pro  
Farnell.com/multicomp-pro  
Element14.com/multicomp-pro

**multicomp** PRO