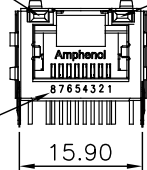
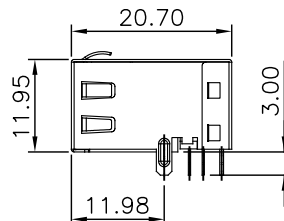


REVISIONS			
REV	ECN, ERN NO.	DATE	APPRD.
A	PROPOSAL DRAWING	FEB28/15	A.G
B	UPDATE HOUSING COLOR&DW INFORMATION ADD SHEET 2 FOR LED OPTIONS	MAY11/20	A.G

LED 2 (LEFT) LED 1 (RIGHT)



PIN NUMBERS
SHOW FOR REFERENCE
ONLY, IT DOES NOT
SHOW ON ACTUAL PART



NOTES:

ELECTRICAL:

- VOLTAGE RATING: 125 VAC.
- CURRENT RATING: 1.25 AMPS PER CONTACT.
- INSULATING RESISTANCE: 500 MEGOHMS MINIMUM.
- DIELECTRIC STRENGTH: CONTACT TO CONTACT: 1000 VAC 60Hz, 1MIN.
CONTACT TO LED: 1500 VAC 60Hz, 1MIN.
CONTACT TO SHIELD: 1500 VAC 60Hz, 1MIN.
LED TO SHIELD: 1000 VAC 60Hz, 1MIN.

5. CATEGORY 6 CHARACTERISTIC:

FREQUENCY MHz	NEAR-END CROSS TALK dB, MIN.	RETURN LOSS dB, MIN.	INSERTION LOSS dB, MAX.
1.0	75.0	30.0	0.10
4.0	75.0	30.0	0.10
8.0	75.0	30.0	0.10
10.0	74.0	30.0	0.10
16.0	69.9	30.0	0.10
20.0	68.0	30.0	0.10
25.0	66.0	30.0	0.10
31.25	64.1	30.0	0.11
62.5	58.1	28.1	0.16
100.0	54.0	24.0	0.20
200.0	48.0	18.0	0.28
250.0	46.0	16.0	0.32

MECHANICAL:

- SHIELD: STAINLESS STEEL, WITH TIN-DIP ON SOLDER TABS.
- HOUSING: HIGH TEMP THERMOPLASTIC. UL 94V-0, COLOR: BLACK
- INSERT: HIGH TEMP THERMOPLASTIC UL 94V-0.
- PCB: FR-4.
- CONTACT: PHOSPHOR BRONZE.
30u" SELECTIVE GOLD PLATING FOR MATING SURFACE,
50u" NICKEL UNDERPLATE
100u" MATTE TIN PLATING ON CONTACT SOLDER TAIL.

ENVIRONMENTAL:

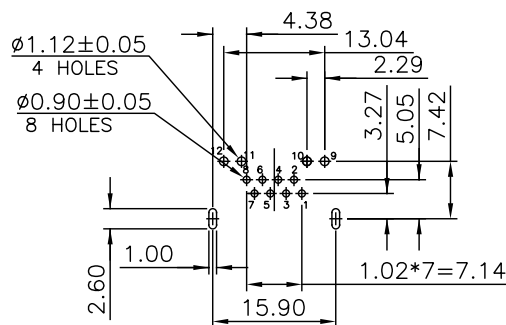
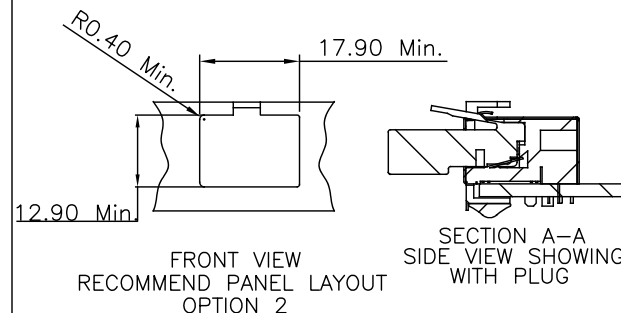
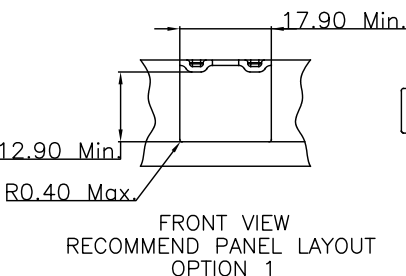
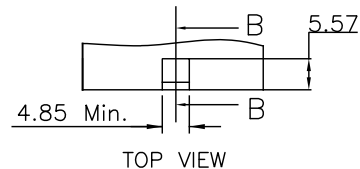
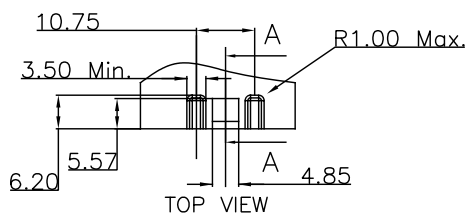
- STORAGE: -40° TO +85°.
 - OPERATION: -40° TO +85°.
- MATES WITH MODULAR PLUG CONFORMING TO FCC PART 68, SUBPART F.
RECOMMENDED SOLDER PROCESS: WAVE SOLDER, PEAK TEMPERATURE 260° FOR 10 SECOND.

AMPHENOL PART NUMBER: RJE49-188-1XX1

GOLD PLATING OPTION

SEE SHEET 2 FOR LED OPTIONS

- 1=6u" [0.15 MICRONS] GOLD PLATING
- 2=15u" [0.38 MICRONS] GOLD PLATING
- 3=30u" [0.76 MICRONS] GOLD PLATING
- 4=50u" [1.27 MICRONS] GOLD PLATING

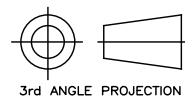


RECOMMENDED PCB LAYOUT
TOLERANCE: ±0.05mm.

THIS DOCUMENT CONTAINS PROPRIETARY INFORMATION AND SUCH INFORMATION
MAY NOT BE DISCLOSED TO OTHERS FOR ANY PURPOSE OR USED FOR MANUFACTURING
PURPOSES WITHOUT WRITTEN PERMISSION FROM AMPHENOL CANADA CORP.

UNLESS OTHERWISE SOECIFIED
DIMENSION ARE IN mm
FRACTION DECIMALS ANGLES

.X ±0.50	X° ±3.0°
.XX ±0.30	.X° ±2.0°
.XXX ±0.10	.XX° ±1.0°

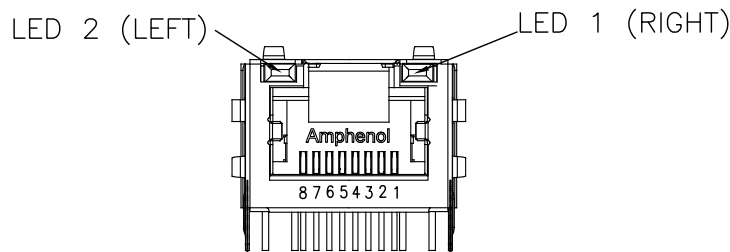


DRAWN	JUSTIN.FENG	DATE	FEB28/2015
DESIGNED	JUSTIN.FENG		FEB28/2015
CHECKED	L.CHAN		FEB28/2015
I. E. APPRD.			
Q. A. APPRD.			
DWG. APPRD.			
ENG. REL. NO.			
REF.			
DIMENSIONS ARE IN	CODE ID. NO.		
mm	03554		

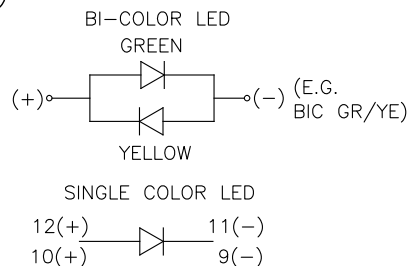
Amphenol Canada Corp.
Commercial Products

TITLE
MODULAR JACK, SINGLE PORTS, 8 POSITIONS, 8 CONTACTS,
SHIELDED WITH TOP & SIDE TABS, WITH LED,
TAB UP, CAT6-RoHS COMPLIANT

DWG	DRAWING NO.	REV.
C	P-RJE49-188-1XX1	B
SCALE	4/1	WT. -----
SURF.	-----	SHEET 1 OF 2



LED SCHEMATIC



REVISIONS			
REV	ECN, ERN NO.	DATE	APPRD.
A	PROPOSAL DRAWING	FEB28/15	A.G
B	UPDATE HOUSING COLOR&DWV INFORMATION ADD SHEET 2 FOR LED OPTIONS	MAY11/20	A.G

LED SPECIFICATIONS:

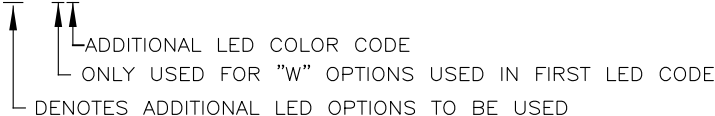
FORWARD VOLTAGE: 2.1 VOLTS TYP.
REVERSE VOLTAGE: 5.0 VOLTS MAX.
LUMINOUS INTENSITY: 0.5 mCd MIN.
(AT If=2mA)

STORAGE TEMPERATURE: -40° TO 85° C
LEAD SOLDERING TEMPERATURE: 260° C
(5 SEC, 1/16" FROM CASE)
PLATING ON TAILS: TIN OR TIN/COPPER
ALLOY OVER SILVER

CODE	LED 2(LEFT)	LED 1(RIGHT)	CODE	LED 2(LEFT)	LED 1(RIGHT)	CODE	LED 2(LEFT)	LED 1(RIGHT)
0	BLOCKED	BLOCKED	9	GREEN	BLOCKED	J	BiC RD/GR	YELLOW
1	YELLOW	GREEN	A	BiC GR/YE	BiC GR/YE	K	YELLOW	BiC GR/OR
2	BLOCKED	GREEN	B	BiC RD/GR	BiC RD/GR	L	BiC GR/YE	RED
3	YELLOW	BLOCKED	C	BiC RD/GR	BiC GR/YE	M	RED	YELLOW
4	GREEN	YELLOW	D	GREEN	BiC GR/YE	N	BiC GR/RD	BiC GR/YE
5	GREEN	GREEN	E	YELLOW	BiC GR/YE	P	GREEN	BiC RD/GR
6	YELLOW	YELLOW	F	BiC GR/YE	YELLOW	R	BiC GR/OR	GREEN
7	RED	GREEN	G	BiC GR/OR	BiC GR/OR	T	RED	RED
8	GREEN	RED	H	BiC GR/YE	GREEN	V	BiC RD/GR	GREEN
			W	ADDITIONAL OPTIONS				

EXAMPLE OF ADDITIONAL LED OPTIONS:

PART NUMBER RJE49-188-14W1-OX



CODE	LED 2(LEFT)	LED 1(RIGHT)	CODE	LED 2(LEFT)	LED 1(RIGHT)	CODE	LED 2(LEFT)	LED 1(RIGHT)
0	DO NOT USE		5	BLOCKED	YELLOW	A	LOWC YE	LOWC YE
1	RED	BLOCKED	6	RED	BiC RD/GR	B	LOWC YE	LOWC GR
2	BiC GR/OR	YELLOW	7	BLOCKED	BiC RD/GR	C	LOWC GR	LOWC YE
3	YELLOW	RED	8	BiC RD/GR	BLOCKED	D	LOWC GR	LOWC GR
4	BLOCKED	RED	9	BiC GR/YE	BLOCKED	M	LOWC RD	LOWC YE
						E	GREEN	ORANGE
						F	ORANGE	GREEN
						G	BiC OR/GR	BiC OR/GR
						H	GREEN	BiC GR/OR

PRIMARY COLOR FOR BI-COLOR
LEDS IN STANDARD ANODE/
CATHODE CONFIGURATION IS:
RED-GREEN= RED
RED-YELLOW= RED
GREEN-YELLOW= GREEN
GREEN-ORANGE= GREEN

LEGEND

BiC=BI-COLOR LED
LOWC=LOW CURRENT LED
YE=YELLOW
GR=GREEN
RD=RED
OR=ORANGE

NOTE:

THE TWO DIGITS PRECEDING THE
ADDITIONAL LED CODE MUST BE
USED IN THE PART NUMBER, WHEN
ORDERING ANY OF THE ADDITIONAL
LED OPTIONS.

THIS DOCUMENT CONTAINS PROPRIETARY INFORMATION AND SUCH INFORMATION
MAY NOT BE DISCLOSED TO OTHERS FOR ANY PURPOSE OR USED FOR MANUFACTURING
PURPOSES WITHOUT WRITTEN PERMISSION FROM AMPHENOL CANADA CORP.

UNLESS OTHERWISE SOECIFIED DIMENSION ARE IN mm FRACTION DECIMALs ANGLEs		DRAWN JUSTIN.FENG DATE FEB28/2015
.X ±0.50 X° ±3.0°		DESIGNED JUSTIN.FENG DATE FEB28/2015
.XX ±0.30 .X° ±2.0°		CHECKED L.CHAN DATE FEB28/2015
.XXX ±0.10 .XX° ±1.0°		I. E. APPRD.
3rd ANGLE PROJECTION		Q. A. APPRD.
		DWG. APPRD.
		ENG. REL. NO.
		REF.
DIMENSIONS ARE IN mm		DIMENSIONS ARE IN CODE ID. NO. 03554

Amphenol Canada Corp. Commercial Products		
TITLE MODULAR JACK, SINGLE PORTS, 8 POSITIONS, 8 CONTACTS, SHIELDED WITH TOP & SIDE TABS, WITH LED, TAB UP, CAT6-RoHS COMPLIANT		
DWG C	DRAWING NO. P-RJE49-188-1XX1	REV. B
SCALE 4/1	WT. -----	SURF. -----
SHEET 2 OF 2		