

CREALITY



## CR Touch Auto Leveling Kit

MFR: 4001010026

### Product Information

Multi-point Detection Smart Compensation

High Precision, Low Power Consumption

Easy to Install Strong Compatibility

Independent Research and Development Stable Function

3D PRINTER CREALITY

# CR Touch

CR-Touch Auto Leveling Kit

Multi-point detection  
Smart compensation

High precision  
Low power consumption

Easy to install  
Strong compatibility

Independent research  
and development  
Stable function

CREALITY

CR Touch Auto Leveling Kit

## Multi-point detection Smart compensation

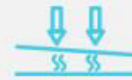
CR Touch performs multi-point detection on the printing platform and records the height of each detection point. The system builds a virtual plane based on the height of each point and calculates the tilt angle between the nozzle and the platform to automatically compensate for different points.

0–6<sub>mm</sub>

Extension length

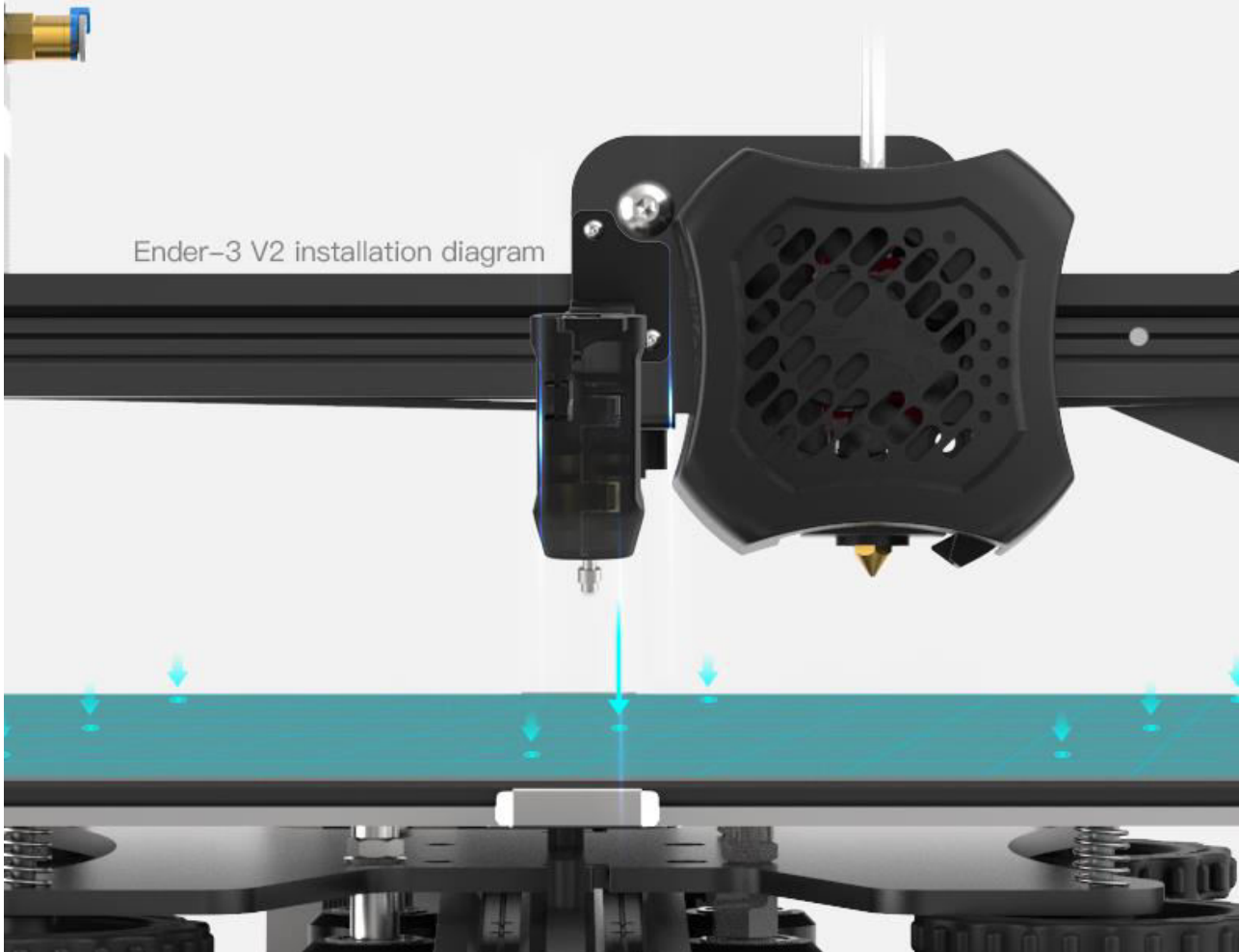
0.04<sub>mm</sub>

Positioning accuracy



Automatic detection  
and leveling

Ender-3 V2 installation diagram



CREALITY

100000 times

Stable quality and long service life.  
It can be reused for more than 100,000 times.



## Independent research and development Stable function

CR Touch is a Creality 3D Research Institute self-developed 3D printer platform leveling solution based on hundreds of millions of user data used by the creators. Compared with the traditional automatic leveling, it is compatible with more 3D printer platforms, more stable and cost-effective.



## More durable metal probes

CR Touch is upgraded to a metal probe, which reduce wear and tear and greatly prolong its service life.



## High-precision electromagnetic components



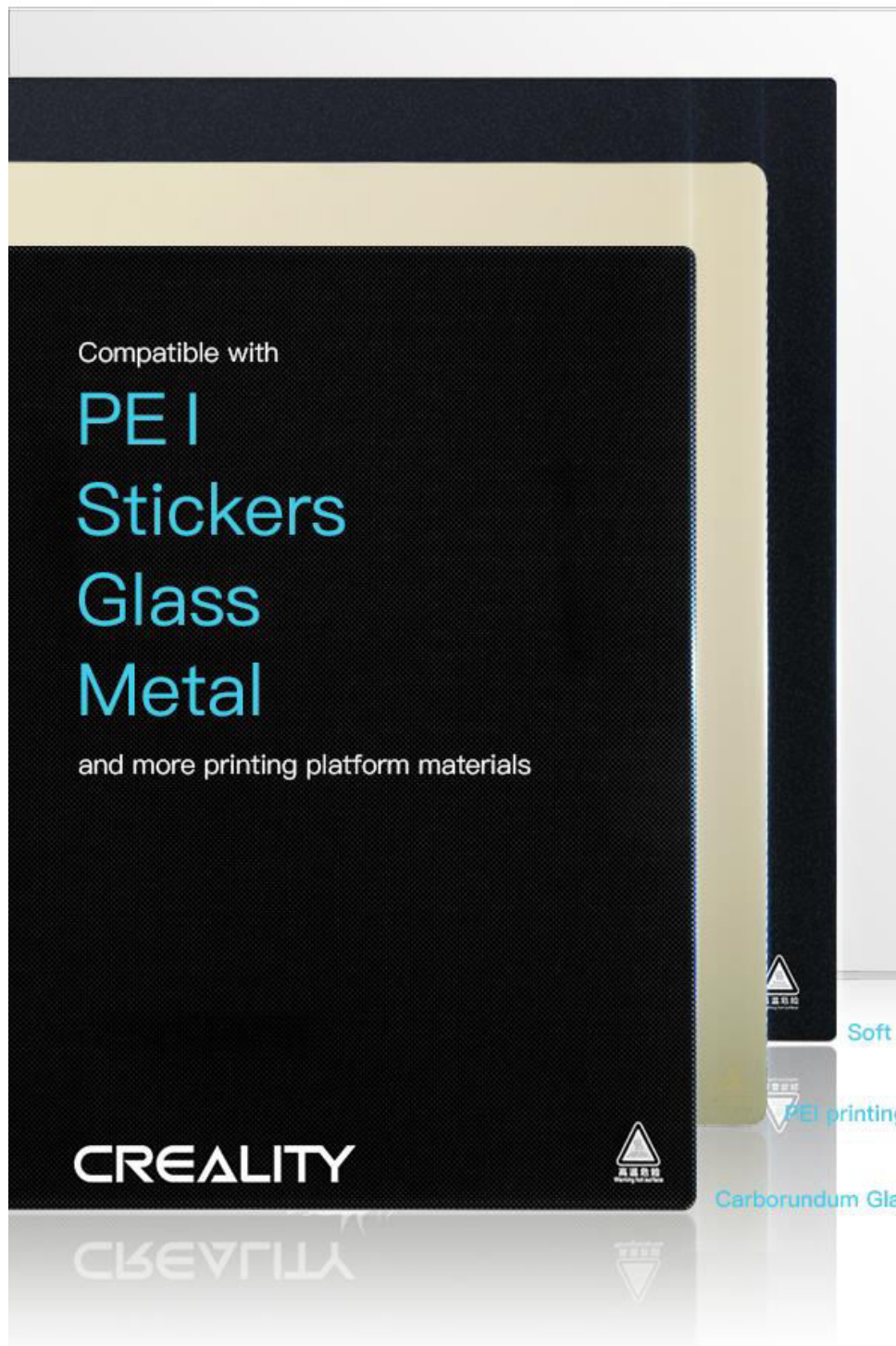
## Photoelectric sensor

After the electromagnetic component is powered on, the probe is extended under suction. When the probe touches the printing platform, the photoelectric sensor on the PCB board detects the contact signal, and the system records the current height of the platform.



CREALITY

Wide application  
strong compatibility



Other printing platforms

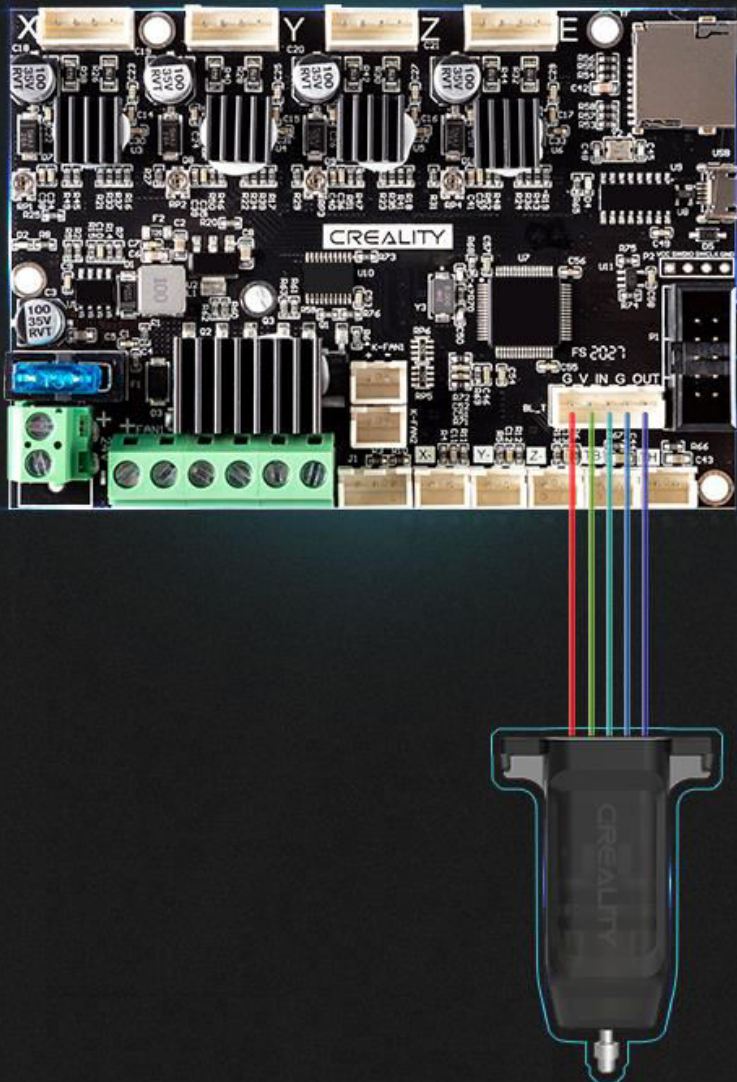
Soft Magnet Sticker

PEI printing plate

Carborundum Glass Platform Board

## Easy to install and easy to use

Download the CR Touch program from the Creative 3D official website and copy it to the TF/SD card. Insert it directly into the card slot of the 3D printer. The program can be updated after power on.





## Compatible with a variety of printers

Equipped with a variety of brackets, which can fit more creative 3D printers.

Ender-3 Max



Ender-3 V2



Ender-3 Ender-5  
Ender-3s Ender-5S  
CR-10 Ender-5Pro  
Ender-3Pro Ender-5Pro



Ender-3 V2 Installation diagram



# Product Parameter

## PRODUCT INFORMATION

Product Name: CR Touch

Work Rate: <1W

---

Size: 27\*17.5\*39.3mm

Rated Voltage: 5V

---

Accuracy: Positioning accuracy  $\leq 0.04$

Probe Route: 6mm

---

Product Weight: 11.5g+/-2g

---

Operating Temperature:  $\leq 65^{\circ}\text{C}$

---

Service Life: About 100,000 probe detection times

---