



MK Brass Nozzle 0.4mm

Compared to common nozzle, MK nozzle has smooth inner wall with less glitches, lower viscosity and smoother filament-pushing. 5 PCS

MFR: 4004020028

3D PRINTING

CREALITY

3D PRINTER MK Nozzle

New design | High quality | Even feed-out | Precise hole



International Brass
Good thermal conductivity
High strength



Round Aperture
Chamfer cutting process



Sleek Inner Wall
Better filament smoothness



Even Filament Feed-out
Always right feed-out amount



Finely Crafted Product
Trusted and reliable quality



0.4mm
Standard diameter size

Product Specifications and Anatomical Graphics

Product name: MK Nozzle

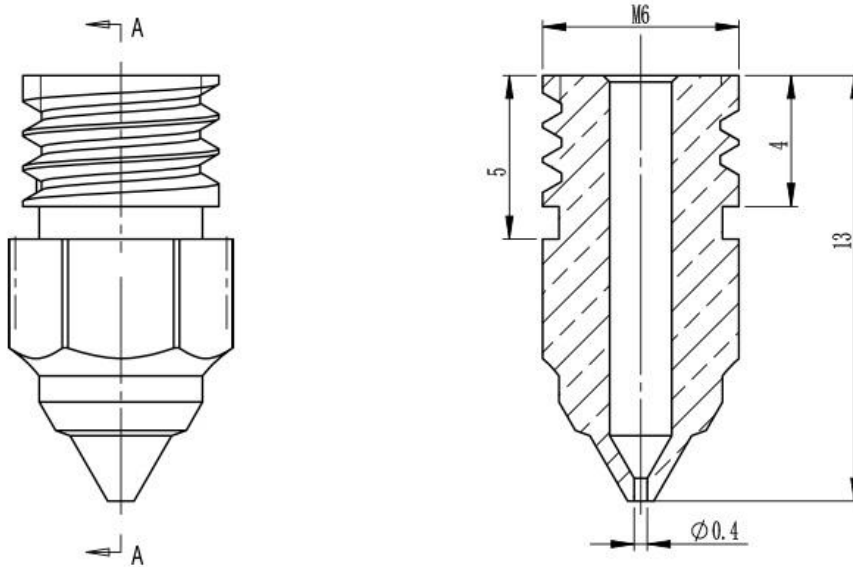
Product material: International brass

Product size: 6mmx13mm

Feed-in aperture: $\Phi 2\text{mm}$

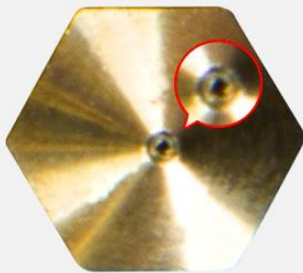
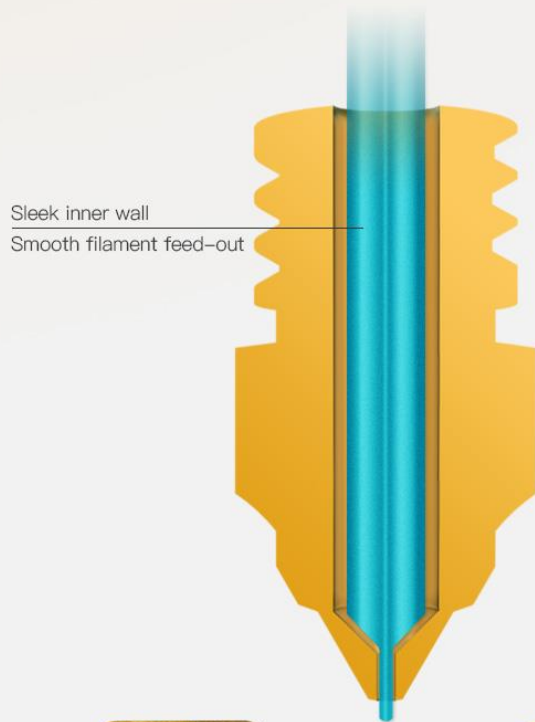
Feed-out aperture: $\Phi 0.3\text{mm}$ | $\Phi 0.4\text{mm}$ | $\Phi 0.5\text{mm}$
 $\Phi 0.6\text{mm}$ | $\Phi 0.8\text{mm}$ | $\Phi 1.0\text{mm}$

Filament diameter: $\Phi 1.75\text{mm}$



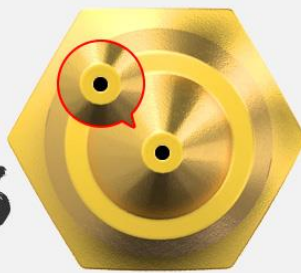
Sleek Inner Wall Smooth Filament Feed-out

Compared to common nozzle, MK nozzle has smooth inner wall with less glitches, lower viscosity and smoother filament-pushing.



Common nozzle ❌

VS



MK nozzle ✅

Even Filament Feed-out Exact Finish on Final Prints

Uniquely designed MK nozzle is crafted with advanced processing technique, helping to deliver much smoother final prints.

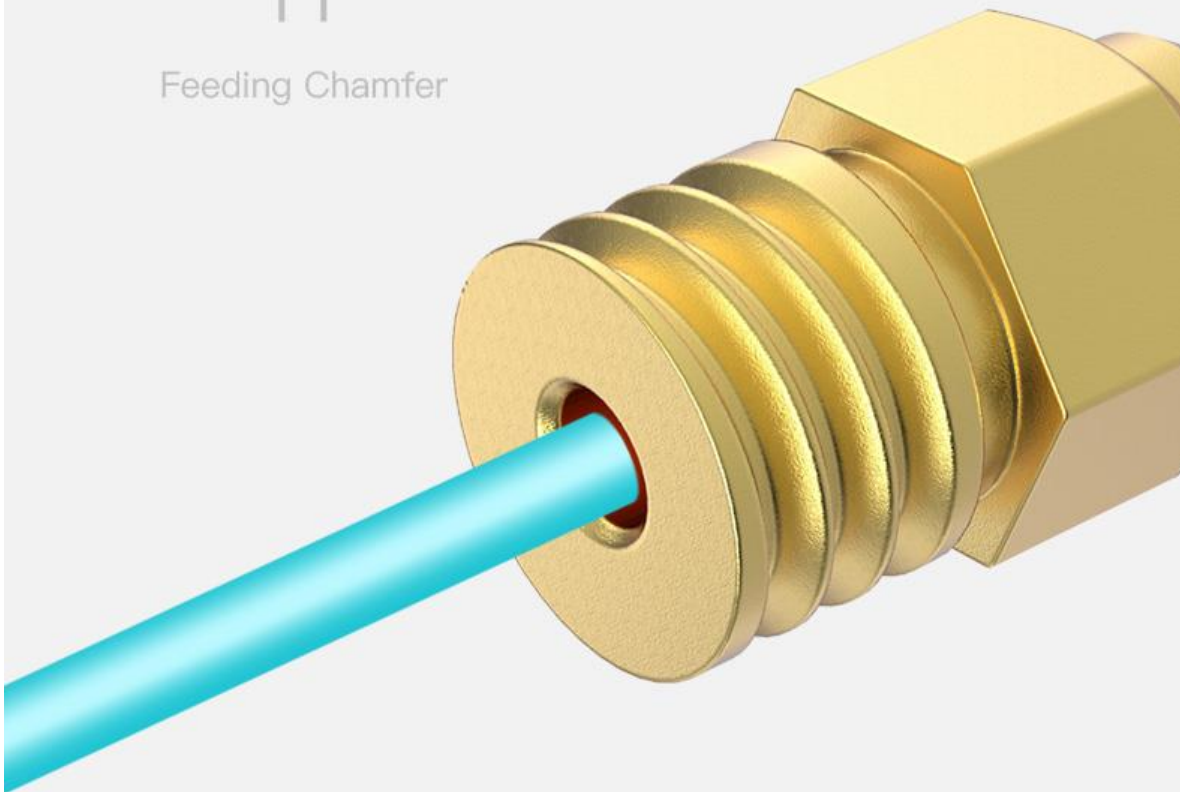


Feeding Chamfer with Round Aperture

The nozzle is designed in smooth feeding chamfer with round aperture, which greatly helps reduce friction resistance to the filament, promoting smoother filament feed-in.

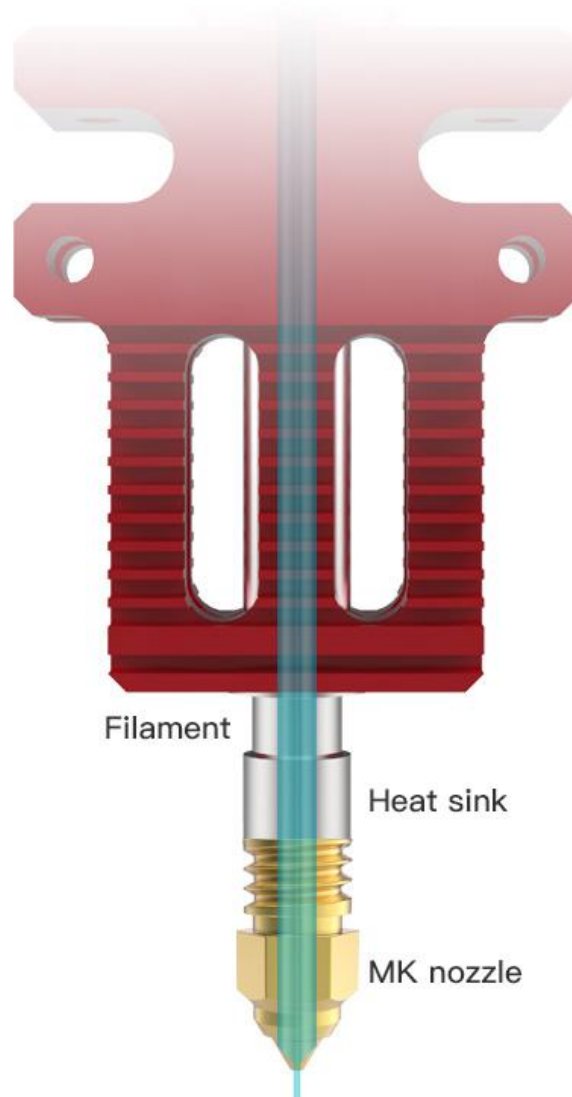


Feeding Chamfer



Seamless Junction No Filament Leakage and Breakage

Seamless junction between nozzle and heat sink effectively prevents filament leakage and breakage, avoiding unnecessary printing issues.



Heat-resistant Excellent Thermal Conductivity

It is made of international brass, which is of good thermal conductivity and high wear resistance, reducing oxidation reaction under high temperature and achieving good printing results.



High hardness steel



Excellent thermal conductivity



Antioxidant



Heat resistance

