

DC Brushless Fan

92mm × 92mm × 25mm



Mechanical Characteristics

Motor Design	: Single phase, 4-poles Brushless DC motor
Bearing System	: Precision ball bearing system
Materials of Frame	: Thermoplastic PBT of UL 94V-0
Materials of Fan Blade	: Thermoplastic PBT of UL 94V-0
Direction Of Rotation	: Counter-clockwise viewed from front of fan blade
Mounting Holes	: Diameter 4.3mm in 8 holes
Weight	: 99g

Electric Characteristics

Rated Voltage	: 24V DC
Rated Current	: 87mA / Max. 101mA
Rated Power Consumption	: 2.09 Watts / Max. 2.43 Watts
Operating Voltage Range	: 8V DC to 27.6V DC
Starting Voltage	: 8V DC (25°C Power ON/OFF)
Operating Temperature Range	: -10°C to +70°C
Storage Temperature Range	: -40°C to +70°C

Performance Characteristics

Rated Speed	: 3000 RPM ±10% at rated voltage
Air Flow	: 51.5 CFM
Static Pressure	: 0.15 Inch-H ₂ O
Acoustic Noise	: 34 dB(A)
Insulation Class	: UL Class A
Insulation Resistance Plastic Housing	: 10MΩ at 500 VDC between internal stator and (2) lead wire (+)
Dielectric Strength	: Applied AC 500 V for one minute or AC 600 V for 2 Seconds between housing and lead wire (+)
Life Expectancy	: 70,000 hours at 40°C, 65% humidity, 90%CL

Protection

: **Automatic Restart**

Note: The motor will shut down when rotor was locked, then auto restart within 10 Seconds

Polarity Protection

According to IEC 529 (or IEC 34-5) IP standard, the average temperature is 23~24°C and humidity is 67% RH for Dust Water Test. The fan needs to be test and Spray Put in dust box for 8 hours for Dust Test and be sprayed strong jets of water for Spray Water Test. After these 2 tests, which executing by regular standard, the fan will be measured the performance is normal or not.

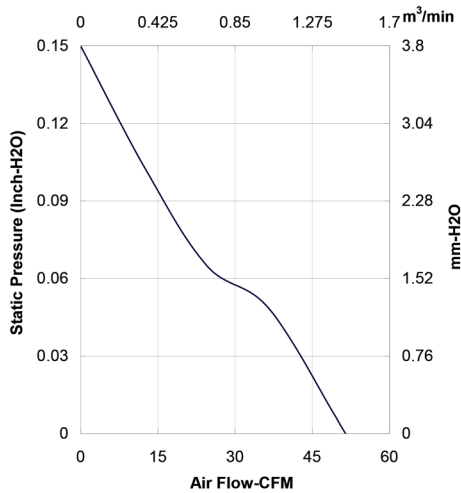


DC Brushless Fan

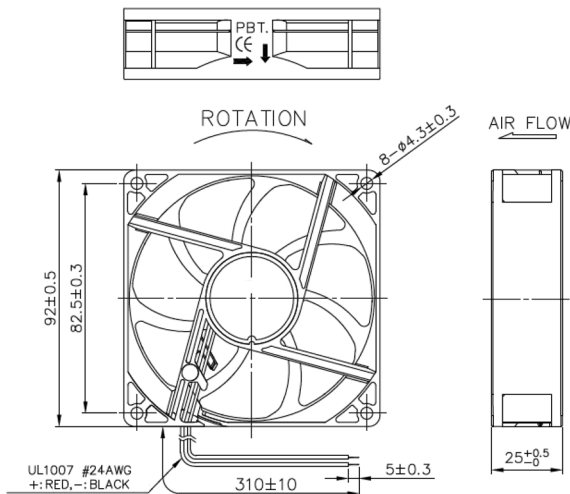
92mm × 92mm × 25mm



Performance Curves



Dimensions



Screw Type (Pan head)	Torque	Screw Spec. Size
Machine screw	3 to 4 Kgf-cm	M4.0
Self-tapping screw	5 to 6 Kgf-cm	Ø5.0

Part Number Table

Description	Part Number
DC Brushless Fan, 92mm × 92mm × 25mm	MC001602

Dimensions : Millimetres

Important Notice : This data sheet and its contents (the "Information") belong to the members of the AVNET group of companies (the "Group") or are licensed to it. No licence is granted for the use of it other than for information purposes in connection with the products to which it relates. No licence of any intellectual property rights is granted. The Information is subject to change without notice and replaces all data sheets previously supplied. The Information supplied is believed to be accurate but the Group assumes no responsibility for its accuracy or completeness, any error in or omission from it or for any use made of it. Users of this data sheet should check for themselves the Information and the suitability of the products for their purpose and not make any assumptions based on information included or omitted. Liability for loss or damage resulting from any reliance on the Information or use of it (including liability resulting from negligence or where the Group was aware of the possibility of such loss or damage arising) is excluded. This will not operate to limit or restrict the Group's liability for death or personal injury resulting from its negligence. Multicomp is the registered trademark of Premier Farnell Limited 2019.

Newark.com/exclusive-brands
 Farnell.com/exclusive-brands
 Element14.com/exclusive-brands

