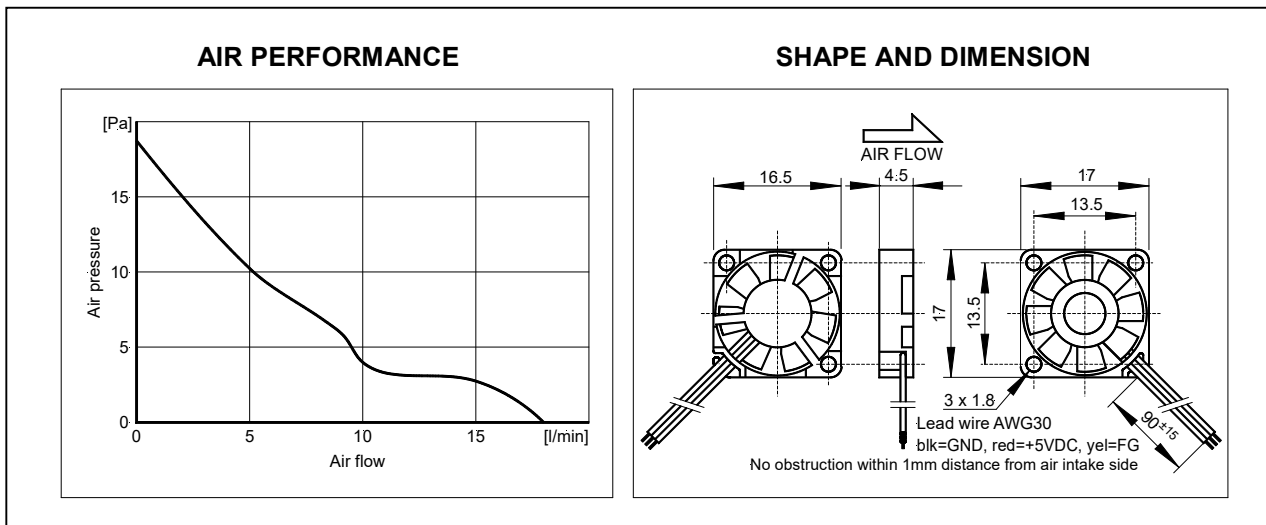


MF17B05 Series (preliminary)

HIGH PERFORMANCE FAN



PERFORMANCE

CE		MF17B05SE	MF17B05FSE	
	Operating voltage	[VDC]	4.5 ... 5 ... 5.5	
	Typ. operating current	[mA]	60	
	Max. start current	[mA]	120	
	Max. air flow (axial direction)	[l/min-m ³ /h]	18 – 1.1	
	Max. air pressure	[Pa-mmH ² O]	18 – 1.8	
	Typ. Noise (1m dist. From air intake side)	[dB(A)]	15	
	Typ. Rotor speed	[RPM]	11200	
	FG output	[PPR]	-	3
	Operating temperature	[°C]	-10 ... +80	
	Lock protection		IC	
	Life expectancy L10/MTBF@ 40°C	[h]	40000/210000	
	Bearing system		Magfix sleeve bearing	
	Weight	[g]	1	
	Standard packing quantity	[Pc.]	50-100-500-1000	

This **SEPA**[®] high-tech miniature fan is suitable for industrial or automotive use and has a remarkable air flow performance despite its small dimensions. Thanks to the extremely low power input of a mere 0.3 W, this fan is highly suitable for battery-operated devices. It is permanently electrically protected against reverse polarity, blocking and thermal overloading. It is also insensitive to shock.

Further features of this fan are its extremely robust and torsionally stiff plastic housing of PBT, with side slots, to be used as axial or radial fan, polyester-based PCB and the absolute reliability.

Technical changes without notice • 02/19

MF17B05 Series (preliminary)

HIGH PERFORMANCE FAN



• ALARM SIGNAL (Optional)

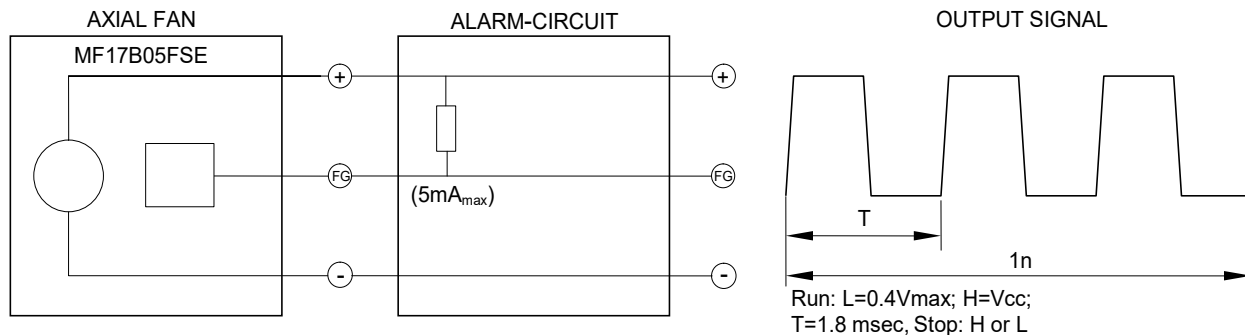
The **SEPA**® fan MF17B05FSE includes a pulse output, which allows monitoring the correct function of the fan.

The pulse is like a rectangular wave, the frequency correlates to 3x rotor speed. The amplitude is about 5Vss and appears periodically. At blocked rotor the output signal could be L ($\leq 0,4V$) or H (5 VDC).

IMPORTANT: The pulse output is not protected against short circuit and must not connect to GND or Vcc without pre-resistor. A pull-up-resistor is needed. Do not connect not used pulse output (insolate).

The fans MF17B05... have tinned lead wire ends (without connector).

Do not touch the rotor! Please note the handling specification!



• ACCESSORIES:

Connector: on request

• ORDER INFORMATION (Delivery time on request)

MF17B05SE	SEPA ® RAXial fan, 17x17x4.5mm, 5VDC, magfix-bearing, CE	101721000
MF17B05FSE	SEPA ® RAXial fan, 17x17x4.5mm, 5VDC, magfix-bearing, FG, CE	101721010

SEPA® is the brand name for fans and CPU-cooler, made by Nippon Keiki Works LTD., Tokyo

Technical changes without notice • 02/19