

Specifications and dimensions

Rectangular multi-coil charger.

Mechanical characteristics

- Soft-touch multi-coil charger
- Micro USB-B power input and output socket
- Three overlapping inductive charging coils

Electrical characteristics

- Power consumption 5W–10W, input voltage 5V +/- 0.25V
- Maximum output current (via USB-B) 1.0A
- Maximum Inductive charging current 1.0A

Standards and certifications

- Qi Certified, CE Marked
- EN 50121-3-2 Railway Apparatus and EN 62311 Human exposure EMC compliant,
- EN 61373 Rail vehicle vibration tested
- EN 45545-2 Fire protection of railway vehicle - Part 2

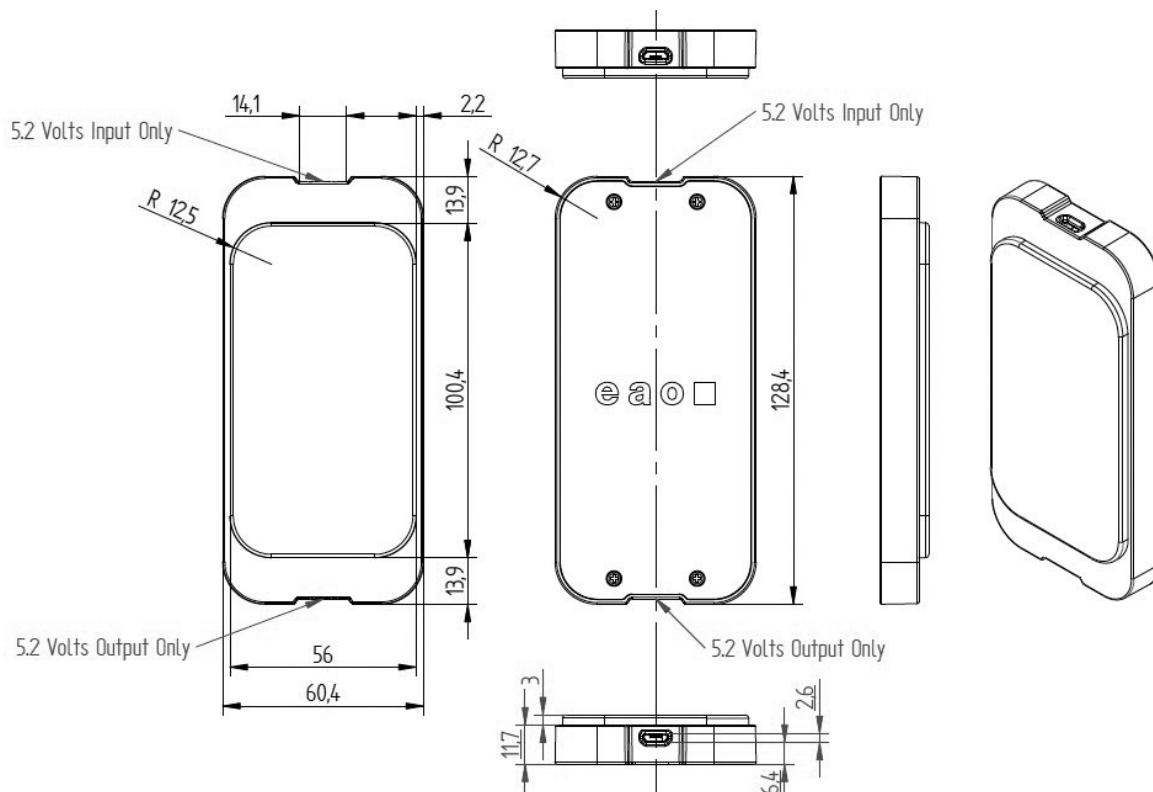
Name

Part No.

- Rectangular multi-coil charger PIF-03S-005



Dimensions (mm)



Mechanical characteristics

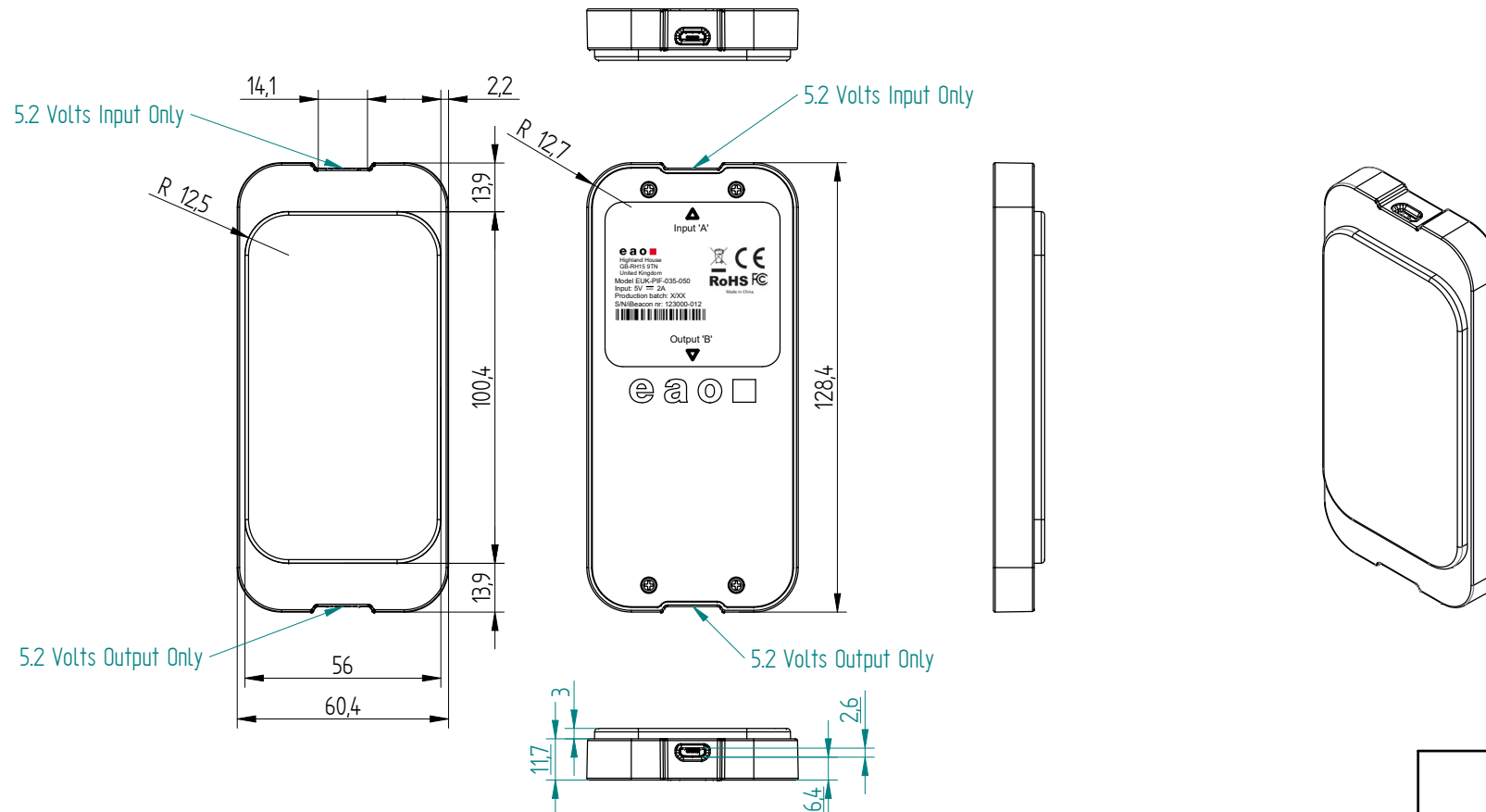
- Makrolon 6485/6555 Polycarbonate.
- Soft-touch rubber 35 µm coating 3g.
- 2 Micro USB-B input and output sockets input output fixed.

Electrical characteristics

- Input voltage 5.25Volts Max +0/- 0.5 V
- Power consumption 5 W–10 W.
- Maximum output current (via USB-A adapter) 1.0 A
- Maximum Inductive charging current 1.0 A
- Transference: 3mm non-conductive material.
(Testing advised on materials between 3 and 4mm)

Standards and certifications

- Qi Certified: QI-ID 5998 , CE Marked.
- <https://www.wirelesspowerconsortium.com/products/5998>
- EN50155 (2017), EN 50121-3-2 (2016) Railway Apparatus and EN 45545-2: Fire protection of railway vehicles – Part 2 (See reference EN45545-2 data sheet 2)
- EN62479: (2010) EN62311: (2008) EMF Human exposure compliant.
- EN 61373 Rail vehicle vibration tested.



		eao	
		TITLE Rectangular Multi-Coil Charger	
UNLESS OTHERWISE SPECIFIED DIMENSIONS ARE IN MILLIMETERS ANGLES ±XX° 2 PL ±XXX 3 PL ±XXXX	SIZE	DWG NO	REV
	A2	EUK-PIF-03S-005	H
SCALE: 1:1	WEIGHT: 114g	SHEET 1 OF 1	