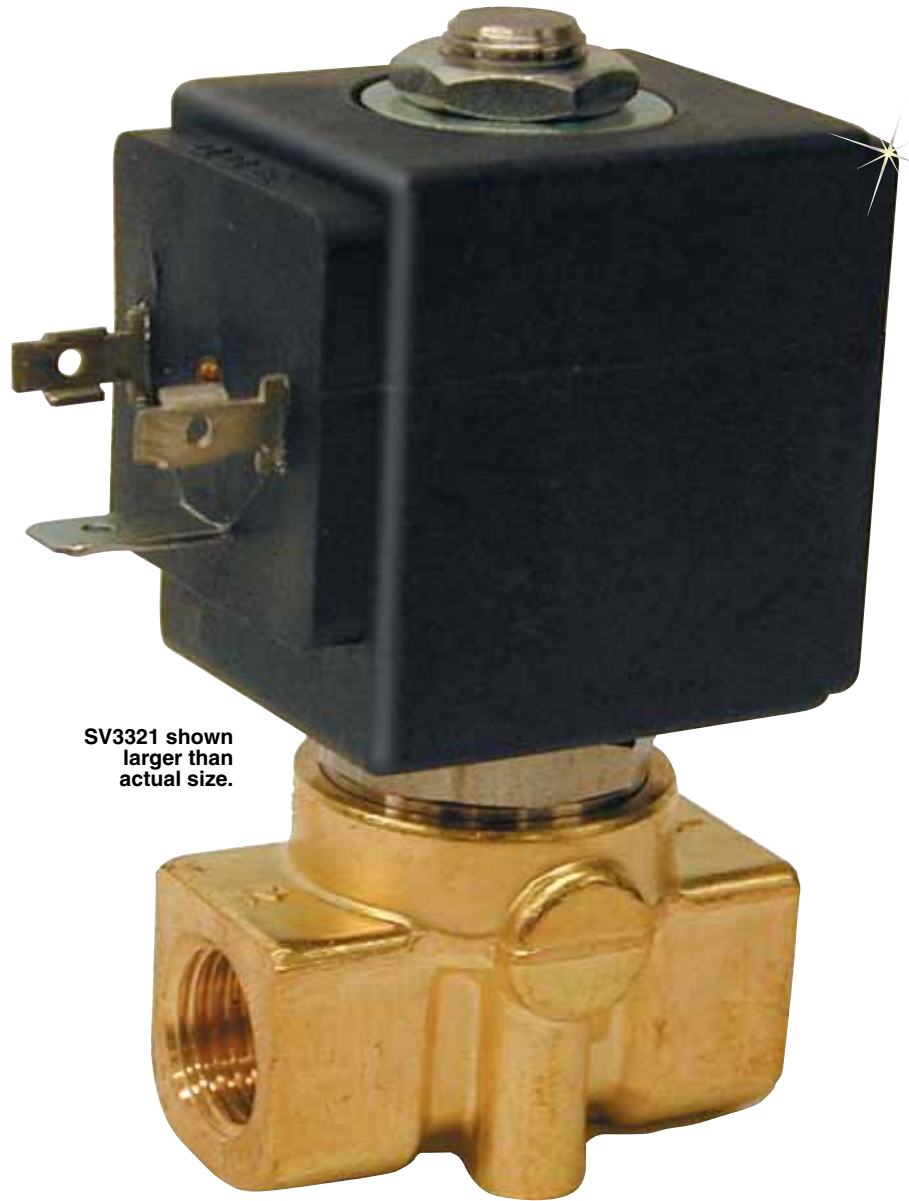


OMEGA-FLO® 2-WAY HIGH PRESSURE SOLENOID VALVE

SV3321



- ✓ Ideal for Compressed Air, Inert Gas, Water and Synthetic Oils
- ✓ Maximum Pressure 1450 psi (100 bar)
- ✓ Process Temperature to 182°C (360°F)
- ✓ 8 W, AC Coils Standard, 12 Coil Available



SV3321 shown larger than actual size.

The SV-3321 2-way solenoid valve is a high pressure direct-acting valve featuring brass, stainless steel construction and PTFE seal material. The temperature range from -23 to 182°C (-10 to 360°F) is ideal for neutral media such as compressed air, inert gases, water, and synthetic oils. A strain-relief connector is supplied with this unit. A ½" conduit plug is also available.

SPECIFICATIONS

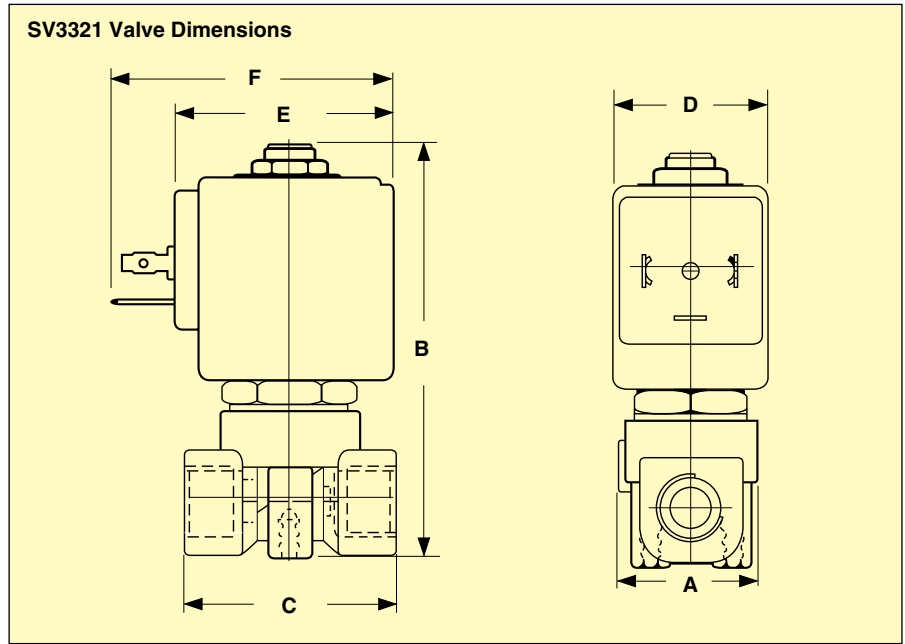
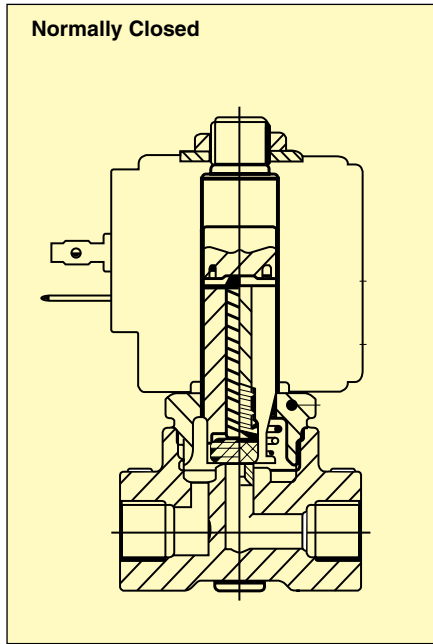
Mounting Position: Any (preferably with solenoid system upright)
Maximum Process Temperature: 182°C (360°F)
Maximum Ambient Temperature: Coil dependent (See ratings on coils)
Voltage Tolerance: ±10%
Opening Time (msec): @ 10 to 20
Closing Time (msec): @ 20 to 30
Cycling Rate: Approximately 1000 cpm
Duty Cycle: Continuous (100%)
Coil Molding Material:
Black Polyester (Class F): SV8COIL-115AC
Black Polyamide (Class F): SV12COIL-120/60Hz

Materials of Construction

Materials of Construction	
Body	Brass
Armature Tube	Stainless Steel 300
Fixed Core	Stainless Steel 400
Plunger	Stainless Steel 400
Spring	Stainless Steel 300
Shading Ring	Copper
Orifice	Stainless Steel 300
Sealing Material	PTFE

Coil Specifications

Coil	Inrush VA	Holding VA
8 W	25	14
12 W	36	23



Connection	Watt	Valve Dimensions (inches)			Coil Dimensions (inches)		
		A	B	C	D	E	F
¼ NPT	8	1 ³ / ₃₂	3 ¹ / ₁₆	1 ⁵ / ₈	1 ³ / ₁₆	1 ²¹ / ₃₂	2 ¹ / ₈
	12				1 ⁷ / ₁₆	1 ²⁹ / ₃₂	2 ³ / ₈

To Order							
Model No.	Pipe Size	Orifice Size	Cv flow factor	Coil Watts	Minimum psi	Maximum Operating psi Differential	
						AC	DC
SV3321	¼"	¾"	0.07	8W	0	0	1300
SV3321*				12W	0	1450	1450

* With optional "SV12 coil".

Accessories

Model No.	Description
Connectors	
SV-CGC	Replacement cable grip connector
SV-CC	½" conduit connector
Coils	
SV8COIL-115AC	Replacement 8 W coil for 110 to 120 Vac/50 to 60 Hz 154°C (310°F) (Class F)
SV8COIL-12DC	8 W coil for 12 Vdc 154°C (310°F) (Class F)
SV8COIL-24DC	8 W coil for 24 Vdc 154°C (310°F) (Class F)
SV8COIL-24AC/60HZ	8 W coil for 24 Vac/50 to 60 Hz 182°C (360°F) (Class F)
SV8COIL-220AC	8 W coil for 220 to 240 Vac/50 to 60 Hz 154°C (310°F) (Class F)
SV8COIL-115/60HZ	8 W coil for 115 Vac/60 Hz 182°C (360°F) (Class H)
SV12COIL-120/60HZ	12 W coil for 120 Vac/60 Hz 154°C (310°F) (Class F)
SV12COIL-12DC	12 W coil for 12 Vdc 154°C (310°F) (Class F)
SV12COIL-24DC	12 W coil for 24 Vdc 154°C (310°F) (Class F)

Comes complete with operator's manual, 8 W coil and cable grip connector.

Ordering Examples: SV3321, high pressure solenoid valve ¼ NPT with SV12COIL-120/60HZ, 120V, 12 watt coil.