

IWTTU SERIES

INDUSTRIAL WIRELESS TEMPERATURE TRANSDUCER - 1/4" NPT



The IWTTU Wireless Temperature Transducer is a cost effective replacement to a traditionally wired temperature transducer that offers the advantages of a low-cost installation in inaccessible and expensive installation environments.

It is easily paired to Sensata Gateways or Receivers - thus offering a "plug and play" solution to your pressure measurement applications.

The instrument uses either J or K type thermocouples or 3-wire RTD sensors fitted to an acetal housing giving excellent media compatibility for the harshest of applications. Compression fittings are available which allow the head to be orientated in the required direction.

Each device is temperature compensated, calibrated and supplied with a traceable serial number.

Typical Applications Include

- Simple cable replacement installation
 - dispense with expensive cable runs
- Environmental monitoring
 - pumping stations, sewage plants, water treatment
- Facilities management
 - boiler rooms, plant hydraulics, plant pneumatics
- Asset monitoring
 - tanks farms, process plants, HVAC and building management
- Service Contract
 - temporary installation for servicing and field trials

Features

- K or J Type Thermocouples
- PT100 RTD Sensors
- 6mm stainless steel sheath
- Up to 500 m line-of-site range (depending on receiver)
- Five year battery life at 10 second transmission update rate
- Simple DIL switch pairing with the single or five channel receiver
- Single, five and multi-channel channel receivers available (up to 128)
- User-selectable transmission update rates
- Analog, digital, RS-232/485, Ethernet & USB receiver outputs
- Receiver clean contacts provide process alarm functions

SPECIFICATIONS

Transmitter Temperature Ranges

Standard products are factory configured as below:

J-Type	0 to 1200°C
K-Type	0 to 1200°C
RTD Type	-200 to +800°C

System Performance

Accuracy (Non-Linearity & Hysteresis)	<±0.1% / FS
Temperature Coefficient	±500ppm/°C

Transmitter Output

*Transmission Frequency	2.4 GHz IEEE 802.15.4
Transmit Power	18 dBm
System Channel	User selectable via DIL switch
Antenna	Integral OdBi

Instrument Power Source

Battery Type	User replaceable Lithium C cell
Battery Life	Five years at 10 second update rate
Battery Shelf Life	10 years

*Compliant with EN 300 328, V1.8.1

Material Specifications

Probe Sheath	316 Stainless Steel
"O" Ring Seals	Viton
Wireless Enclosure Material	Acetal
Weight	300g typical including battery
**Installation Position	Any
** Consult installation manual to ensure adequate signal path between transmitter and receiver	

Receiver Output Signals

Receiver Part Number	Receiver Outputs
IoT Gateway	Built-in cellular modem allows all data to be sent to remote servers
IWR-PORT	RS-232 or RS-485 or Ethernet MODBUS Communications. Up to 128 off analog 4-20 mA or Relay outputs can be obtained by fitting extra ISOSLICE I/O modules
IWR-USB	Displays & Logs data on any PC running IWR-USB software
IWR-5	5 off 4-20 mA or 1-5 V dc and 1 Relay output
IWR-1	1 off 4-20 mA and 1-5 V dc and 1 Relay output
***Transmission Update Rate 1, 5, 10, 20, 30, 60, 120 and 600 seconds	
*** Consult installation manual for set-up:	
- Single channel system is DIL switch configurable	
- Five channel system requires set-up using "IWR Set" user software	

Temperatures & Thermal Effects

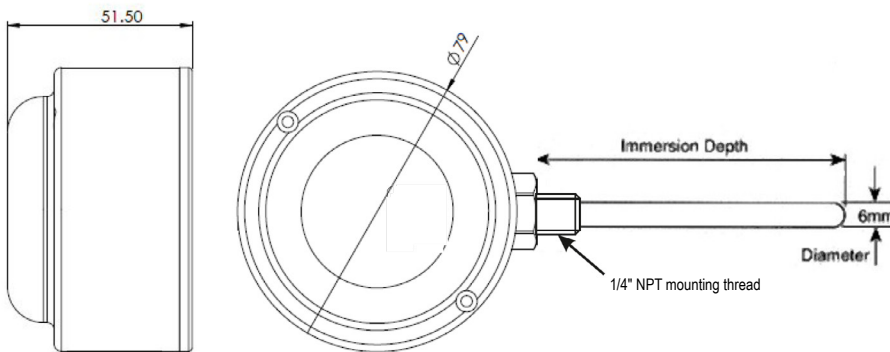
Media Temperature	-200°C to +1200°C
Op. /Ambient Temperature	-20 C to +80 C
Storage Temperature	-20°C to +80°C
Thermal Span Shift	<±0.05% /°C typical

Mechanical Stability

See user manual

DIMENSIONS

All dimensions are in millimeters.





Temperature Transducer	See table below
Spare battery	IBAT-1
Receivers	See IWR-1, IWR-5, IWR-PORT, IoT Gateway and IWR-USB data sheets
Five Channel Configuration Software*	IWR-Set

*Download free user configuration software here:
https://www.cynergy3.com/sites/default/files/IWR-Set_v2.4_installer.zip

Part No.	Description	Part No.	Description
IWTTUP100A	PT100 6x100mm	IWTTUJ200A	J type 6x200mm
IWTTUP150A	PT100 6x150mm	IWTTUJ300A	J type 6x300mm
IWTTUP200A	PT100 6x200mm	IWTTUJ400A	J type 6x400mm
IWTTUP250A	PT100 6x250mm	IWTTUK150A	K type 6x150mm
IWTTUP300A	PT100 6x300mm	IWTTUK200A	K type 6x200mm
IWTTUP400A	PT100 6x400mm	IWTTUK300A	K type 6x300mm
		IWTTUK400A	K type 6x400mm

Made in the UK

Sensata Technologies, Inc. ("Sensata") data sheets are solely intended to assist designers ("Buyers") who are developing systems that incorporate Sensata products (also referred to herein as "components"). Buyer understands and agrees that Buyer remains responsible for using its independent analysis, evaluation and judgment in designing Buyer's systems and products. Sensata data sheets have been created using standard laboratory conditions and engineering practices. Sensata has not conducted any testing other than that specifically described in the published documentation for a particular data sheet. Sensata may make corrections, enhancements, improvements and other changes to its data sheets or components without notice.

Buyers are authorized to use Sensata data sheets with the Sensata component(s) identified in each particular data sheet. HOWEVER, NO OTHER LICENSE, EXPRESS OR IMPLIED, BY ESTOPPEL OR OTHERWISE TO ANY OTHER SENSATA INTELLECTUAL PROPERTY RIGHT, AND NO LICENSE TO ANY THIRD PARTY TECHNOLOGY OR INTELLECTUAL PROPERTY RIGHT, IS GRANTED HEREIN. SENSATA DATA SHEETS ARE PROVIDED "AS IS". SENSATA MAKES NO WARRANTIES OR REPRESENTATIONS WITH REGARD TO THE DATA SHEETS OR USE OF THE DATA SHEETS, EXPRESS, IMPLIED OR STATUTORY, INCLUDING ACCURACY OR COMPLETENESS. SENSATA DISCLAIMS ANY WARRANTY OF TITLE AND ANY IMPLIED WARRANTIES OF MERCHANTABILITY, FITNESS FOR A PARTICULAR PURPOSE, QUIET ENJOYMENT, QUIET POSSESSION, AND NON-INFRINGEMENT OF ANY THIRD PARTY INTELLECTUAL PROPERTY RIGHTS WITH REGARD TO SENSATA DATA SHEETS OR USE THEREOF.

All products are sold subject to Sensata's terms and conditions of sale supplied at www.sensata.com SENSATA ASSUMES NO LIABILITY FOR APPLICATIONS ASSISTANCE OR THE DESIGN OF BUYERS' PRODUCTS. BUYER ACKNOWLEDGES AND AGREES THAT IT IS SOLELY RESPONSIBLE FOR COMPLIANCE WITH ALL LEGAL, REGULATORY AND SAFETY-RELATED REQUIREMENTS CONCERNING ITS PRODUCTS, AND ANY USE OF SENSATA COMPONENTS IN ITS APPLICATIONS, NOTWITHSTANDING ANY APPLICATIONS-RELATED INFORMATION OR SUPPORT THAT MAY BE PROVIDED BY SENSATA.

Mailing Address: Sensata Technologies, Inc., 529 Pleasant Street, Attleboro, MA 02703, USA.

CONTACT US

EUROPE
+44 (0)1202 897969
c3w_sales@sensata.com
Cynergy3 Components Ltd.
7 Cobham Road,
Ferndown Industrial Estate,
Wimborne, Dorset,
BH21 7PE, United Kingdom

USA
+1 310 561 8092 / +1 866 258 5057
c3w_sales@sensata.com