

## IWVT SERIES

### INDUSTRIAL WIRELESS 0-10 Vdc TRANSMITTER



#### Typical Applications Include

- Simple cable replacement installation
  - dispense with expensive and tortuous cable runs
- Analog Sensor Status
  - transmit 0-10Vdc sensor outputs to a remote receiver

## SPECIFICATIONS

#### Transmitter Output

<b>*Transmission Frequency</b>	2.4 Ghz using ISM bands
<b>Transmit Power</b>	18 dBm
<b>System Channel</b>	User selectable via DIL switch
<b>Antenna</b>	Integral OdBi

\*Compliant with EN 300 328, V1.8.1

#### Material Specifications

<b>Wireless Enclosure Material</b>	Plastic
<b>Weight</b>	150g including battery
<b>*Installation position</b>	Any
<b>Environmental protection</b>	Designed to IP68 (not recommended for submersion due to signal loss)

\*Consult installation manual to ensure adequate signal path between transmitter and receiver

The IWVT Wireless Transmitter is a cost effective alternative to traditional wiring that offers the advantages of a low-cost installation in inaccessible and expensive installation environments.

It is easily paired to any of the range of IWR receivers - thus offering a “plug and play” solution to your analog voltage application.

The IWVT sensor should be used with any of the IWR range of receivers. A line-of-sight range of up to 500 m is possible depending on the wireless receiver used (refer to specific receiver datasheets for further information).

#### Features

- 0-10Vdc wireless transmission
- Up to 500 m line-of-site range (depending on receiver)
- Five-year battery life at 10 second transmission update rate
- Simple DIL switch pairing with the single or five channel receiver
- User-selectable transmission update rates
- A range of receivers are available
- Receiver clean contacts provide process alarm functions

#### Instrument Power Source

<b>Battery Type</b>	User replaceable Lithium C cell
<b>Battery Life</b>	Five years at 10 second update rate
<b>Battery Shelf Life</b>	10 years

#### Temperatures

<b>Ambient Temperature range</b>	-20°C to +50°C
<b>Storage Temperature</b>	-20°C to +80°C

## Input/Output Signals

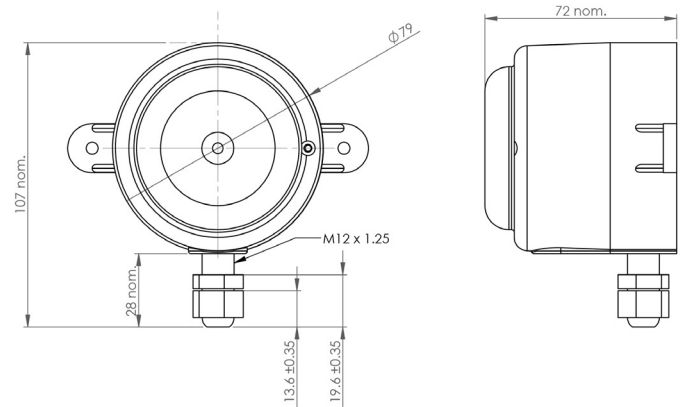
Receiver Part Number	Receiver Outputs
<b>IoT Gateway</b>	Built-in cellular modem allows all data to be sent to remote servers
<b>IWR-PORT</b>	RS-232 or RS-485 or Ethernet MODBUS Communications. Up to 128 off analog 4-20 mA or Relay outputs can be obtained by fitting extra ISOSLICE I/O modules
<b>IWR-USB</b>	Displays & Logs data on any PC running IWR-USB software
<b>IWR-5</b>	5 off 4-20 mA or 1-5 V dc and 1 Relay output
<b>IWR-1</b>	1 off 4-20 mA and 1-5 V dc and 1 Relay output
<p>***Transmission Update Rate 1, 5, 10 and 30 seconds                      *** Consult installation manual for set-up:                      - Single channel system is DIL switch configurable                      - Five channel system requires set-up using "IWR Set" user software</p>	

\*\*\*Transmission Update Rate 1, 5, 10 and 30 seconds  
 \*\*\* Consult installation manual for set-up:  
 - single channel system is DIL switch configurable  
 - five channel system requires set-up using "IWR Set" user software



## DIMENSIONS

All dimensions are in millimeters.



## ORDERING OPTIONS

<b>Wireless transmitter</b>	IWVT-00
<b>Spare battery</b>	IBAT-1
<b>Receivers</b>	See IoT Gateway, IWR-1, IWR-5, IWR-PORT and IWR-USB data sheets
<b>Five Channel Configuration Software</b>	IWR-Set (free download*)

\*Download user configuration software [here](#)

Made in the UK

Page 2

Sensata Technologies, Inc. ("Sensata") data sheets are solely intended to assist designers ("Buyers") who are developing systems that incorporate Sensata products (also referred to herein as "components"). Buyer understands and agrees that Buyer remains responsible for using its independent analysis, evaluation and judgment in designing Buyer's systems and products. Sensata data sheets have been created using standard laboratory conditions and engineering practices. Sensata has not conducted any testing other than that specifically described in the published documentation for a particular data sheet. Sensata may make corrections, enhancements, improvements and other changes to its data sheets or components without notice.

Buyers are authorized to use Sensata data sheets with the Sensata component(s) identified in each particular data sheet. HOWEVER, NO OTHER LICENSE, EXPRESS OR IMPLIED, BY ESTOPPEL OR OTHERWISE TO ANY OTHER SENSATA INTELLECTUAL PROPERTY RIGHT, AND NO LICENSE TO ANY THIRD PARTY TECHNOLOGY OR INTELLECTUAL PROPERTY RIGHT, IS GRANTED HEREIN. SENSATA DATA SHEETS ARE PROVIDED "AS IS". SENSATA MAKES NO WARRANTIES OR REPRESENTATIONS WITH REGARD TO THE DATA SHEETS OR USE OF THE DATA SHEETS, EXPRESS, IMPLIED OR STATUTORY, INCLUDING ACCURACY OR COMPLETENESS. SENSATA DISCLAIMS ANY WARRANTY OF TITLE AND ANY IMPLIED WARRANTIES OF MERCHANTABILITY, FITNESS FOR A PARTICULAR PURPOSE, QUIET ENJOYMENT, QUIET POSSESSION, AND NON-INFRINGEMENT OF ANY THIRD PARTY INTELLECTUAL PROPERTY RIGHTS WITH REGARD TO SENSATA DATA SHEETS OR USE THEREOF.

All products are sold subject to Sensata's terms and conditions of sale supplied at [www.sensata.com](http://www.sensata.com) SENSATA ASSUMES NO LIABILITY FOR APPLICATIONS ASSISTANCE OR THE DESIGN OF BUYERS' PRODUCTS. BUYER ACKNOWLEDGES AND AGREES THAT IT IS SOLELY RESPONSIBLE FOR COMPLIANCE WITH ALL LEGAL, REGULATORY AND SAFETY-RELATED REQUIREMENTS CONCERNING ITS PRODUCTS, AND ANY USE OF SENSATA COMPONENTS IN ITS APPLICATIONS, NOTWITHSTANDING ANY APPLICATIONS-RELATED INFORMATION OR SUPPORT THAT MAY BE PROVIDED BY SENSATA.

Mailing Address: Sensata Technologies, Inc., 529 Pleasant Street, Attleboro, MA 02703, USA.

## CONTACT US

EUROPE  
 +44 (0)1202 897969  
 c3w\_sales@sensata.com  
 Cynergy3 Components Ltd.  
 7 Cobham Road,  
 Ferndown Industrial Estate,  
 Wimborne, Dorset,  
 BH21 7PE, United Kingdom

USA  
 +1 310 561 8092 / +1 866 258 5057  
 c3w\_sales@sensata.com