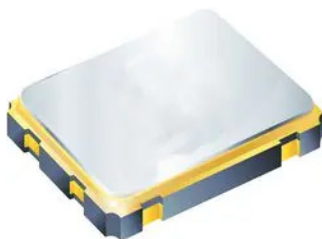


# Crystal oscillator

## SMD CMOS Output 3.2 × 2.5 × 1.0mm

**multicomp** PRO

**RoHS  
Compliant**



### Feature

- Ultra Small SMD seam sealed clock crystal oscillator units.
- For applications in WLAN, Bluetooth, DSC, DSL and other IT product.
- Tri-state function available.

### Electrical Specifications

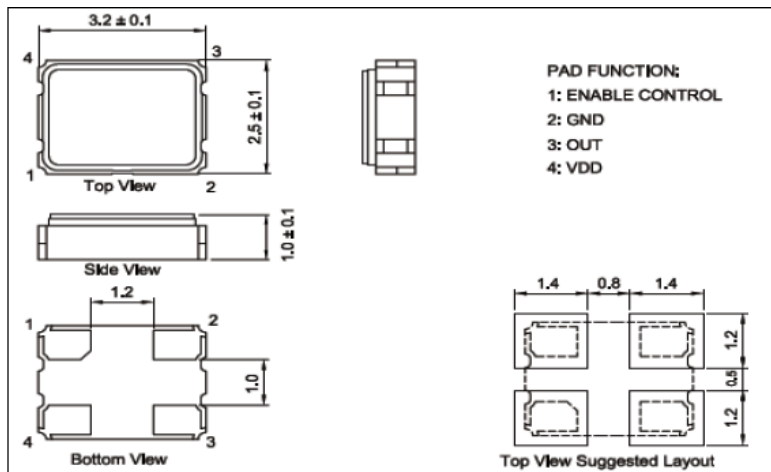
Parameters	Condition/Model	MCSJK-3N-25.00-3.3-25-C	
Fan Out Type		LVCMOS	
Supply Voltage		3.3V±10%	
Frequency		25.000MHz	
Operating Temperature		-40°C to +85°C	
Current		20mA max	
Frequency Stability	All Conditions	±25ppm	
Output Voltage	VoI(max)	10%VDD	
	VoH(min)	90%VDD	
Rise/Fall Time	AT 0.1Vdd to 0.9Vdd	5ns max	
Load Capacitance		15pF	
Duty Cycle		50±10%	
Storage Temperature		-55°C to +125°C	
Start-upTime	Load RANGE	5mSec max	
Aging		±3ppm(1st, year at 25°C)	
Tri-State	Output Active	2.31V Min Pin 1 Tri-state	
	Output inHigh-Impedance	0.99V Max	
PAD Connection		PIN#1 Tri-State/NC	PIN#3 OUT
		PIN#2 GND	PIN#4 Vdd

# Crystal oscillator

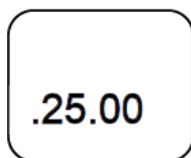
## SMD CMOS Output 3.2 × 2.5 × 1.0mm

**multicomp** PRO

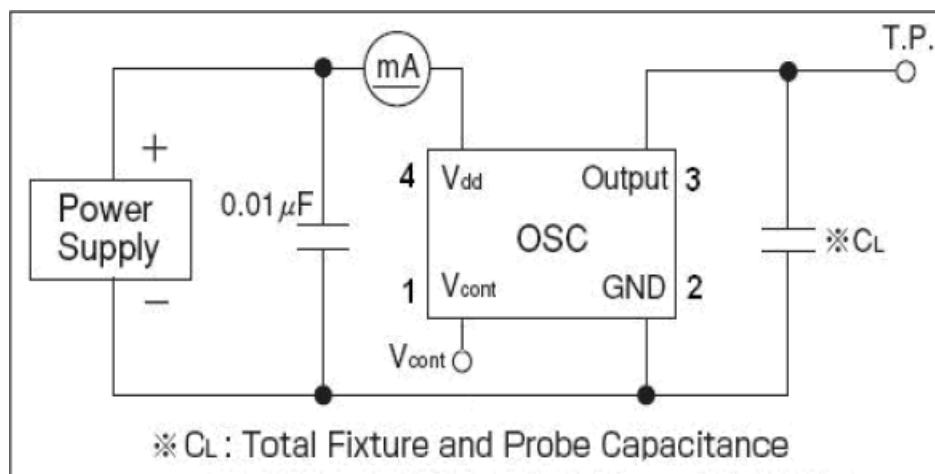
### Dimension



### MARK



### Measurement Circuit

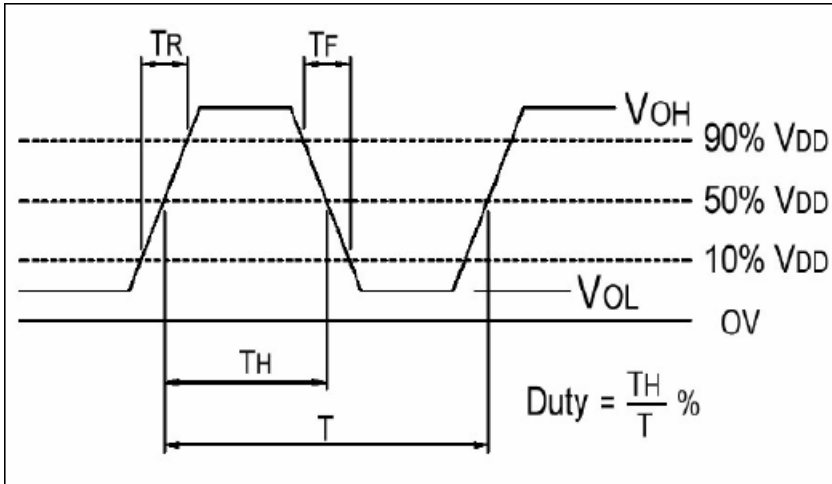


# Crystal oscillator

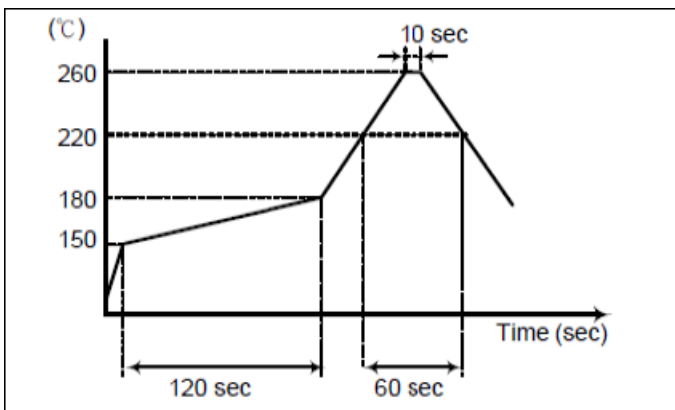
## SMD CMOS Output 3.2 × 2.5 × 1.0mm

**multicomp** PRO

### Waveform Conditions



### Reflow Condition



The reflow temperature profile may vary depending on the product model, specifications and frequency range. Refer to the individual product specifications for details

### Part Number Table

Description	Part Number
Crystal oscillator SMD CMOS Output 3.2×2.5×1.0mm	MCSJK-3N-25.00-3.3-25-C

**Important Notice :** This data sheet and its contents (the "Information") belong to the members of the AVNET group of companies (the "Group") or are licensed to it. No licence is granted for the use of it other than for information purposes in connection with the products to which it relates. No licence of any intellectual property rights is granted. The Information is subject to change without notice and replaces all data sheets previously supplied. The Information supplied is believed to be accurate but the Group assumes no responsibility for its accuracy or completeness, any error in or omission from it or for any use made of it. Users of this data sheet should check for themselves the Information and the suitability of the products for their purpose and not make any assumptions based on information included or omitted. Liability for loss or damage resulting from any reliance on the Information or use of it (including liability resulting from negligence or where the Group was aware of the possibility of such loss or damage arising) is excluded. This will not operate to limit or restrict the Group's liability for death or personal injury resulting from its negligence. Multicomp Pro is the registered trademark of Premier Farnell Limited 2019.

Newark.com/multicomp-pro  
 Farnell.com/multicomp-pro  
 sg.element14.com/b/multicomp-pro

**multicomp** PRO