

PRODUCTS

APPLICATIONS

SIGN IN



LANGUAGE



ORDERS

(//STORE.NXP.COM/WEBAPP/ECOMMERCE.SHOW_CART.FRAMEWORK)

DESIGN

SUPPORT

COMPANY

Home (/) / Development Boards (/design/development-boards:EVDEBRDSSYS)

/

Automotive Development Platforms (/design/development-boards/automotive-development-platforms:DEVKIT-AUTO-IND)

/

S32K MCU Platforms (/design/development-boards/automotive-development-platforms/s32k-mcu-platforms:MCUS-32-BITS-PLATFORMS)

/

S32K3X4EVB-Q172 Evaluation Board (/design/development-boards/automotive-development-platforms/s32k-mcu-platforms/evaluation-and-development-board-for-general-purpose:S32K3X4EVB-Q172)

/ Getting Started with the S32K3X4EVB-Q172 Evaluation Board

Getting Started with the S32K3X4EVB-Q172 Evaluation Board

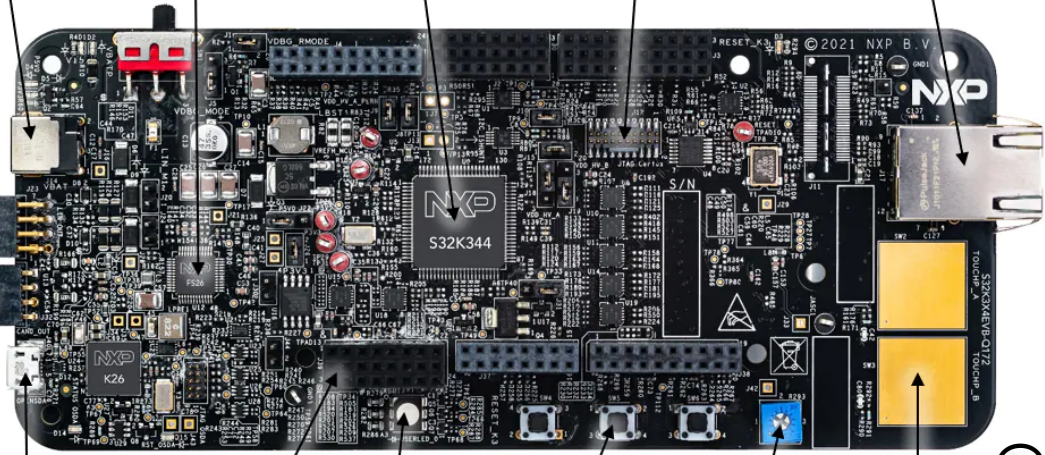


Out of the Box

1.1 Get to Know the S32K344EVB-Q172 Evaluation Board

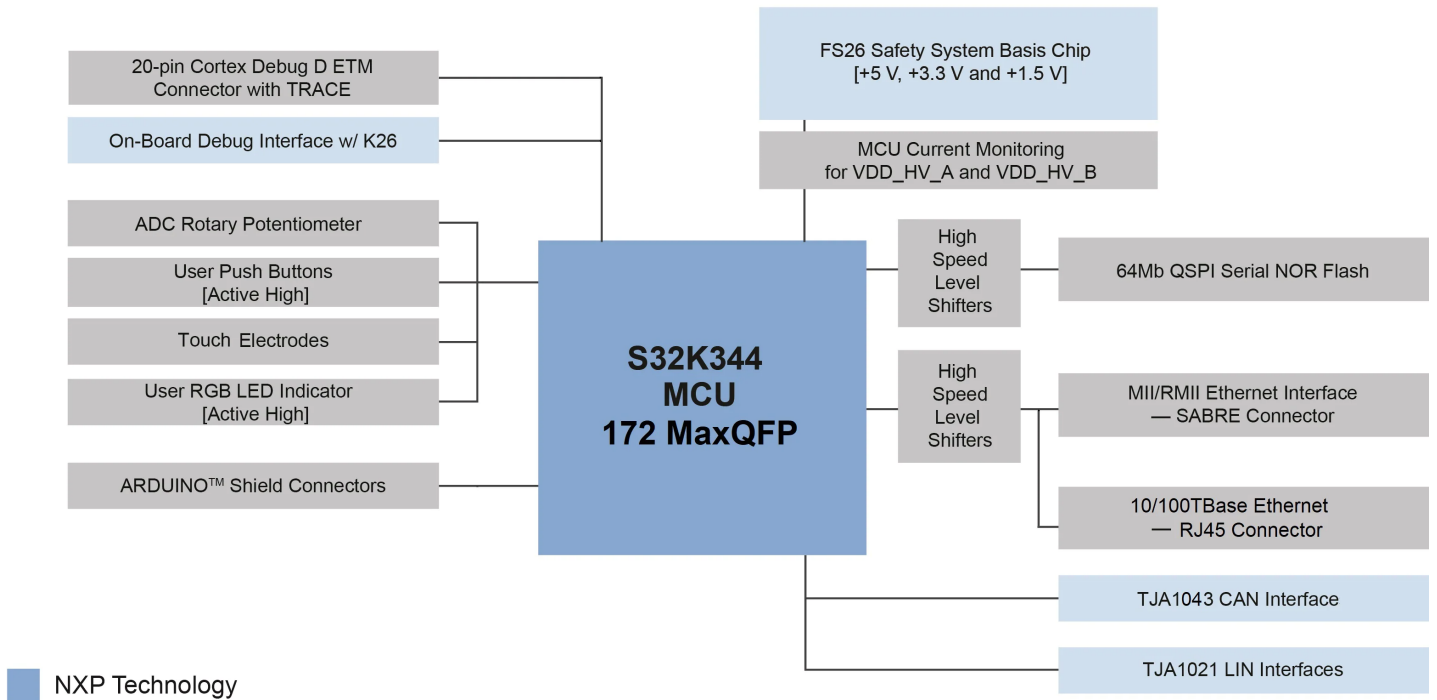


LIN interface [2] +12 V Power Connector FS26 Power SBC S32K244 MAXQFP 172 Microcontroller 20-pin JTAG Arm®/Cortex®/ETM w/TRACE RJ45 Ethernet Connector



CAN interface [2] On-board S32K3 debugger ARDUINO Shield Connectors User RGB LED User Push buttons [2] ADC Potentiometer Touch Pads

1.2 Block Diagram Features



Next >
Step #2 - Get software

"Leader/follower" is NXP's default replacement for discriminating terminology. We continue to strive for alignment with international standards organizations as their replacement terminology evolves.

News Jan 4, 2022 | [Read More \(https://media.nxp.com/news-releases/news-release-details/nxp-ramps-flagship-4d-ime\)](https://media.nxp.com/news-releases/news-release-details/nxp-ramps-flagship-4d-ime)



ABOUT NXP ([//WWW.NXP.COM/COMPANY/OUR-COMPANY/ABOUT-NXP:ABOUT-NXP](http://WWW.NXP.COM/COMPANY/OUR-COMPANY/ABOUT-NXP:ABOUT-NXP))

CAREERS ([//WWW.NXP.COM/ABOUT/CAREERS-AT-NXP:CAREERS](http://WWW.NXP.COM/ABOUT/CAREERS-AT-NXP:CAREERS))

INVESTORS ([//INVESTORS.NXP.COM/](http://INVESTORS.NXP.COM/)) **MEDIA** ([//MEDIA.NXP.COM](http://MEDIA.NXP.COM))

CONTACT ([//WWW.NXP.COM/COMPANY/ABOUT-NXP/CONTACT-US:CONTACTUS](http://WWW.NXP.COM/COMPANY/ABOUT-NXP/CONTACT-US:CONTACTUS))

SUBSCRIBE ([//CONTACT.NXP.COM/SUBSCRIPTION-CENTER](http://CONTACT.NXP.COM/SUBSCRIPTION-CENTER))





[\(/twitter.com/NXP\)](https://twitter.com/NXP) [\(/linkedin.com/company/nxp-semiconductors\)](https://linkedin.com/company/nxp-semiconductors) [\(/facebook.com/NXPsemi\)](https://facebook.com/NXPsemi)

[Privacy \(/www.nxp.com/about/privacy:PRIVACYPRACTICES\)](https://www.nxp.com/about/privacy:PRIVACYPRACTICES) | [Terms of Use \(/www.nxp.com/about/terms-of-use:TERMSOFUSE\)](https://www.nxp.com/about/terms-of-use:TERMSOFUSE) |

[Terms of Sale \(/www.nxp.com/about/our-standard-terms-and-conditions-of-sale-counter-offer:TERMSCONDITIONSSALE\)](https://www.nxp.com/about/our-standard-terms-and-conditions-of-sale-counter-offer:TERMSCONDITIONSSALE) |

[Slavery and Human Trafficking Statement \(/www.nxp.com/company/about-nxp/sustainability/social-responsibility/labor-and-human-rights:LABOR-AND-HUMAN-RIGHTS\)](https://www.nxp.com/company/about-nxp/sustainability/social-responsibility/labor-and-human-rights:LABOR-AND-HUMAN-RIGHTS)

[Accessibility \(/www.nxp.com/company/our-company/about-nxp/accessibility:ACCESSIBILITY\)](https://www.nxp.com/company/our-company/about-nxp/accessibility:ACCESSIBILITY)

©2006-2022 NXP Semiconductors. All rights reserved.

