



MASTER LEDspot ExpertColor LV



MASTER LED ExpertColor 7.5-43W MR16 940 24D

MASTER LEDspot LV ExpertColor creates a warm and comfortable ambience for hospitality venues, homes and restaurants. It creates such an ambience with superior lighting that has a customised spectrum, high CRI and deep dimming feature. The result? A beautiful lighting experience. What's more, the innovative, trimless lens design will suit almost any interior decor with its clean and neat look. In addition, you can take advantage of the full ExpertColor family, which also includes LEDspot MV lamps.

Product data

| General Information | | Luminous flux in 90° cone (rated) | |
|--|-----------------------|-----------------------------------|----------------------------|
| Cap base | GU5.3 [GU5.3] | | 520 lm |
| EU RoHS compliant | Yes | Operating and Electrical | |
| Nominal lifetime (nom.) | 40000 h | Input frequency | - Hz |
| Switching cycle | 50,000X | Power (Rated) (Nom) | 7.5 W |
| | Narrow Cone | Lamp current (nom.) | 720 mA |
| Light Technical | | Wattage equivalent | 43 W |
| Colour Code | 940 [CCT of 4,000 K] | Starting time (nom.) | 0.5 s |
| Beam Angle (Nom) | 24° | Warm-up time to 60% light (nom.) | 0.5 s |
| Luminous flux (nom.) | 520 lm | Power factor (nom.) | 0.7 |
| Luminous intensity (nom.) | 2800 cd | Voltage (Nom) | ac electronic 12 V |
| Colour designation | Cool White (CW) | Temperature | |
| Correlated Colour Temperature (Nom) | 4000 K | T-Case maximum (nom.) | 93 °C |
| Luminous efficacy (rated) (nom.) | 69.00 lm/W | Controls and Dimming | |
| Colour consistency | <3 | Dimmable | Only with specific dimmers |
| Colour rendering index (nom.) | 92 | | |
| LLMF at end of nominal lifetime (nom.) | 70 % | | |

MASTER LEDspot ExpertColor LV

Mechanical and Housing

Bulb shape MR16 [2inch/50mm]

Approval and Application

Energy Efficiency Class G

Suitable for accent lighting Yes

Energy consumption kWh/1,000 hours 8 kWh

624212

Product Data

Full product code 871951435869000

Order product name MASTER LED ExpertColor 7.5-43W MR16 940 24D

EAN/UPC – product 8719514358690

Order code 35869000

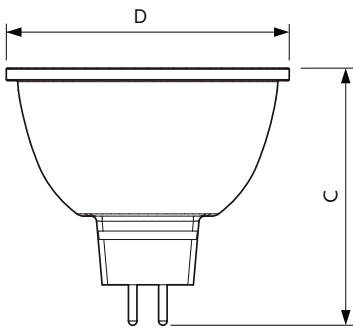
SAP numerator – quantity per pack 1

Numerator – packs per outer box 10

SAP material 929003079902

SAP net weight (piece) 0.052 kg

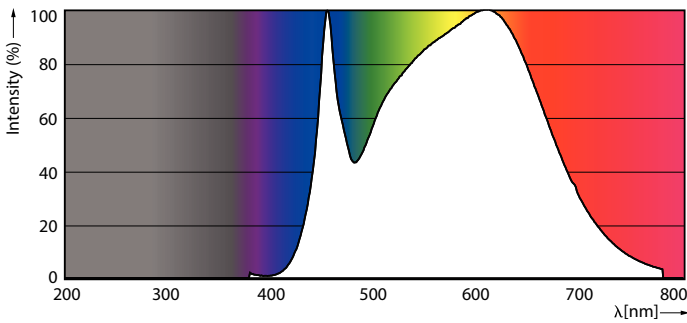
Dimensional drawing



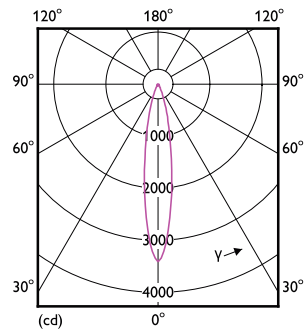
MR16 12V 7.5-43W 560lm 24D 4000K GU5.3 D

| Product | D | C |
|---|---------|-------|
| MASTER LED ExpertColor 7.5-43W MR16 940 24D | 50.5 mm | 46 mm |

Photometric data



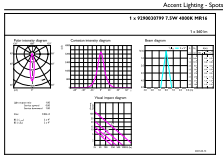
LED-spots MAS IC 7,5W MR16 GU5,3 940 24D-POC



LEDspots MAS IC 7,5W MR16 GU5,3 940 24D-LDD

MASTER LEDspot ExpertColor LV

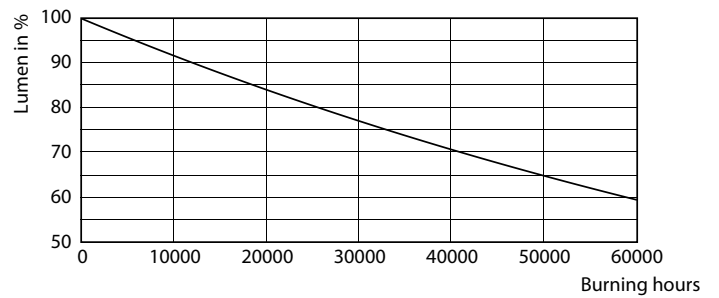
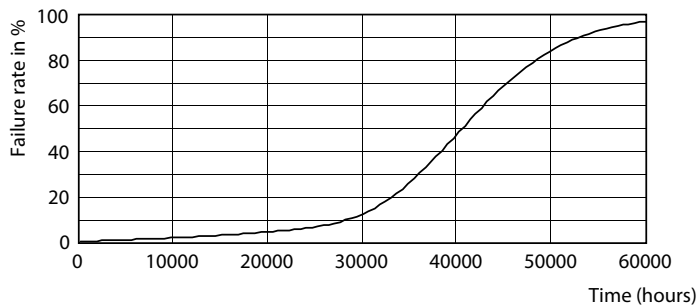
Photometric data



© 2021 Philips Lighting B.V. Page 11

LEDspots MAS IC 7,5W MR16 GU5,3 940 24D-ADL

Lifetime



LEDspots LED 40K

LEDspots LMP 40K

