



# MASTER LEDspot ExpertColor LV



## MASTER LED ExpertColor 6.7-35W MR16 940 36D

MASTER LEDspot LV ExpertColor creates a warm and comfortable ambience for hospitality venues, homes and restaurants. It creates such an ambience with superior lighting that has a customised spectrum, high CRI and deep dimming feature. The result? A beautiful lighting experience. What's more, the innovative, trimless lens design will suit almost any interior decor with its clean and neat look. In addition, you can take advantage of the full ExpertColor family, which also includes LEDspot MV lamps.

### Product data

General Information		Luminous flux in 90° cone (rated)	
Cap base	GU5.3 [ GU5.3]		460 lm
EU RoHS compliant	Yes	Operating and Electrical	
Nominal lifetime (nom.)	40000 h	Input frequency	- Hz
Switching cycle	50,000X	Power (Rated) (Nom)	6.7 W
	Narrow Cone	Lamp current (nom.)	650 mA
Light Technical		Wattage equivalent	35 W
Colour Code	940 [ CCT of 4,000 K]	Starting time (nom.)	0.5 s
Beam Angle (Nom)	36°	Warm-up time to 60% light (nom.)	0.5 s
Luminous flux (nom.)	460 lm	Power factor (nom.)	0.7
Luminous intensity (nom.)	1400 cd	Voltage (Nom)	ac electronic 12 V
Colour designation	Cool White (CW)	Temperature	
Correlated Colour Temperature (Nom)	4000 K	T-Case maximum (nom.)	92 °C
Luminous efficacy (rated) (nom.)	68.00 lm/W	Controls and Dimming	
Colour consistency	<3	Dimmable	Only with specific dimmers
Colour rendering index (nom.)	97		
LLMF at end of nominal lifetime (nom.)	70 %		

# MASTER LEDspot ExpertColor LV

## Mechanical and Housing

Bulb shape MR16 [ 2inch/50mm]

## Approval and Application

Energy Efficiency Class G

Suitable for accent lighting Yes

Energy consumption kWh/1,000 hours 7 kWh

624215

## Product Data

Full product code 871951435863800

Order product name MASTER LED ExpertColor 6.7-35W MR16 940 36D

EAN/UPC – product 8719514358638

Order code 35863800

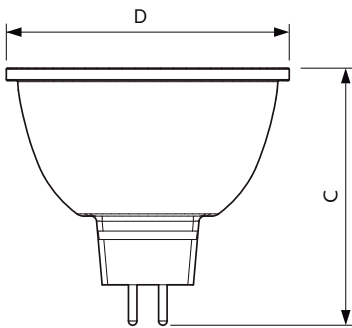
SAP numerator – quantity per pack 1

Numerator – packs per outer box 10

SAP material 929003079602

SAP net weight (piece) 0.052 kg

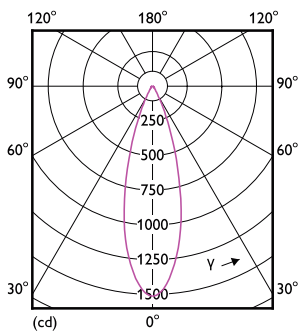
## Dimensional drawing



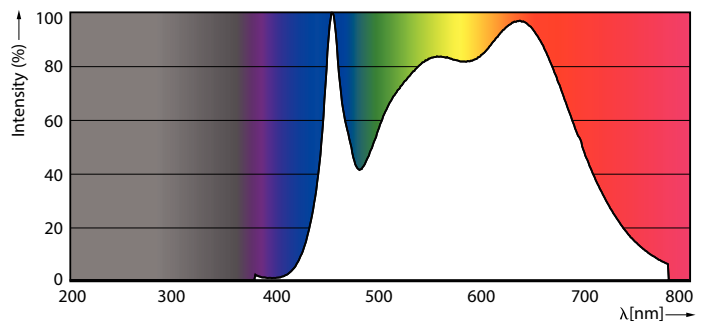
MR16 12V 6.5-35W 490lm 36D 4000K GU5.3 D

Product	D	C
MASTER LED ExpertColor 6.7-35W MR16 940 36D	50.5 mm	46 mm

## Photometric data



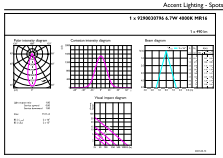
LEDspots MAS IC 6,7W MR16 GU5,3 940 36D-LDD



LEDspots MAS IC 6,7W MR16 GU5,3 940 60D-POC

# MASTER LEDspot ExpertColor LV

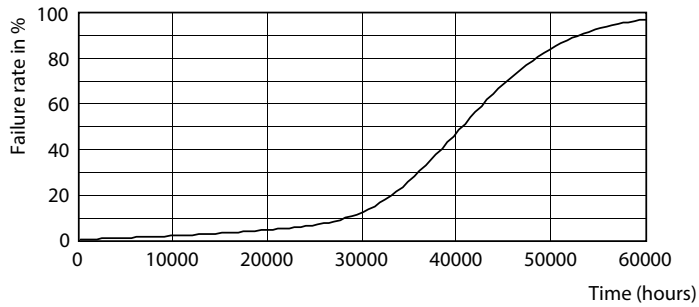
## Photometric data



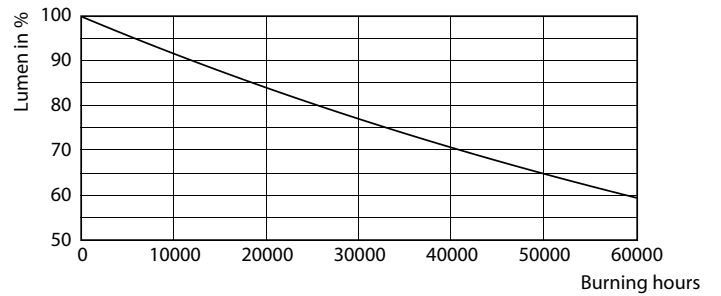
© 2021 Philips Lighting B.V. Page 11

LEDspots MAS IC 6,7W MR16 GU5,3 940 36D-ADL

## Lifetime



LEDspots LED 40K



LEDspots LMP 40K

