



MASTER LEDspot ExpertColor LV



MASTER LED ExpertColor 7.5-43W MR16 927 36D

MASTER LEDspot LV ExpertColor creates a warm and comfortable ambience for hospitality venues, homes and restaurants. It creates such an ambience with superior lighting that has a customised spectrum, high CRI and deep dimming feature. The result? A beautiful lighting experience. What's more, the innovative, trimless lens design will suit almost any interior decor with its clean and neat look. In addition, you can take advantage of the full ExpertColor family, which also includes LEDspot MV lamps.

Product data

General Information		Luminous flux in 90° cone (rated)	
Cap base	GU5.3 [GU5.3]		485 lm
EU RoHS compliant	Yes	Operating and Electrical	
Nominal lifetime (nom.)	40000 h	Input frequency	- Hz
Switching cycle	50,000X	Power (Rated) (Nom)	7.5 W
	Narrow Cone	Lamp current (nom.)	720 mA
Light Technical		Wattage equivalent	43 W
Colour Code	927 [CCT of 2,700 K]	Starting time (nom.)	0.5 s
Beam Angle (Nom)	36°	Warm-up time to 60% light (nom.)	0.5 s
Luminous flux (nom.)	485 lm	Power factor (nom.)	0.7
Luminous intensity (nom.)	1400 cd	Voltage (Nom)	ac electronic 12 V
Colour designation	Warm white (WW)	Temperature	
Correlated Colour Temperature (Nom)	2700 K	T-Case maximum (nom.)	93 °C
Luminous efficacy (rated) (nom.)	64.00 lm/W	Controls and Dimming	
Colour consistency	<3	Dimmable	Only with specific dimmers
Colour rendering index (nom.)	92		
LLMF at end of nominal lifetime (nom.)	70 %		

MASTER LEDspot ExpertColor LV

Mechanical and Housing

Bulb shape MR16 [2inch/50mm]

Approval and Application

Energy Efficiency Class G

Suitable for accent lighting Yes

Energy consumption kWh/1,000 hours 8 kWh

624206

Product Data

Full product code 871951435871300

Order product name MASTER LED ExpertColor 7.5-43W MR16 927 36D

EAN/UPC – product 8719514358713

Order code 35871300

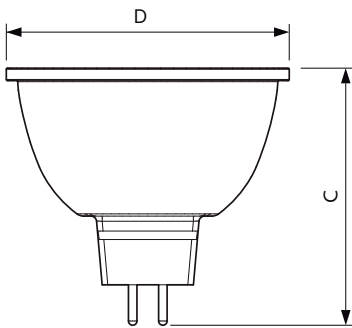
SAP numerator – quantity per pack 1

Numerator – packs per outer box 10

SAP material 929003080002

SAP net weight (piece) 0.052 kg

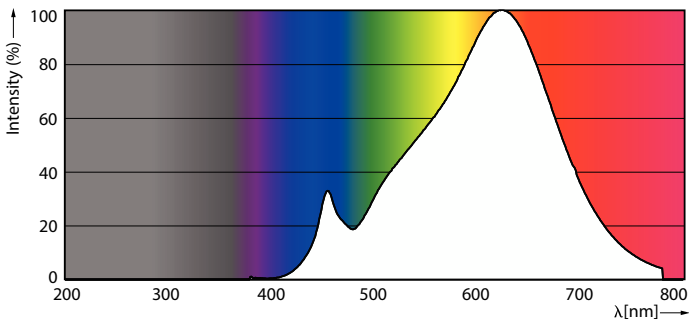
Dimensional drawing



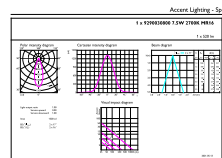
MR16 12V 7.5-43W 520lm 36D 2700K GU5.3 D

Product	D	C
MASTER LED ExpertColor 7.5-43W MR16 927 36D	50.5 mm	46 mm

Photometric data



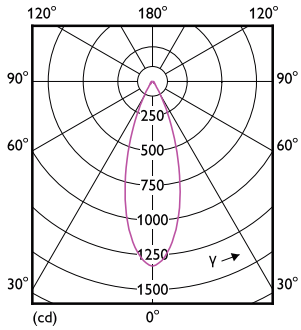
Spectral Power Distribution Colour



LEDspots MAS IC 7,5W MR16 GU5,3 927 36D-ADL

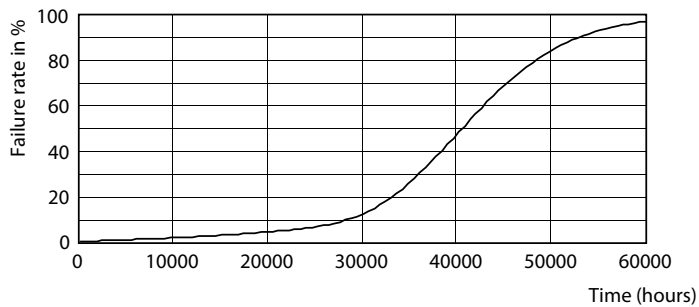
MASTER LEDspot ExpertColor LV

Photometric data



LEDspots MAS IC 7,5W MR16 GU5,3 927 36D-LDD

Lifetime



LEDspots LED 40K



LEDspots LMP 40K

