



MASTER LEDspot ExpertColor LV



MASTER LED ExpertColor 6.7-35W MR16 930 60D

MASTER LEDspot LV ExpertColor creates a warm and comfortable ambience for hospitality venues, homes and restaurants. It creates such an ambience with superior lighting that has a customised spectrum, high CRI and deep dimming feature. The result? A beautiful lighting experience. What's more, the innovative, trimless lens design will suit almost any interior decor with its clean and neat look. In addition, you can take advantage of the full ExpertColor family, which also includes LEDspot MV lamps.

Product data

General Information	
Cap base	GU5.3 [GU5.3]
EU RoHS compliant	Yes
Nominal lifetime (nom.)	40000 h
Switching cycle	50,000X
	Narrow Cone
Light Technical	
Colour Code	930 [CCT of 3,000 K]
Beam Angle (Nom)	60 °
Luminous flux (nom.)	440 lm
Luminous intensity (nom.)	440 cd
Colour designation	White (WH)
Correlated Colour Temperature (Nom)	3000 K
Luminous efficacy (rated) (nom.)	65.00 lm/W
Colour consistency	<3
Colour rendering index (nom.)	97
LLMF at end of nominal lifetime (nom.)	70 %

Luminous flux in 90° cone (rated)	440 lm
Operating and Electrical	
Input frequency	- Hz
Power (Rated) (Nom)	6.7 W
Lamp current (nom.)	650 mA
Wattage equivalent	35 W
Starting time (nom.)	0.5 s
Warm-up time to 60% light (nom.)	0.5 s
Power factor (nom.)	0.7
Voltage (Nom)	ac electronic 12 V
Temperature	
T-Case maximum (nom.)	92 °C
Controls and Dimming	
Dimmable	Only with specific dimmers

MASTER LEDspot ExpertColor LV

Mechanical and Housing

Bulb shape MR16 [2inch/50mm]

Approval and Application

Energy Efficiency Class G

Suitable for accent lighting Yes

Energy consumption kWh/1,000 hours 7 kWh

624216

Product Data

Full product code 871951435843000

Order product name MASTER LED ExpertColor 6.7-35W MR16 930 60D

EAN/UPC – product 8719514358430

Order code 35843000

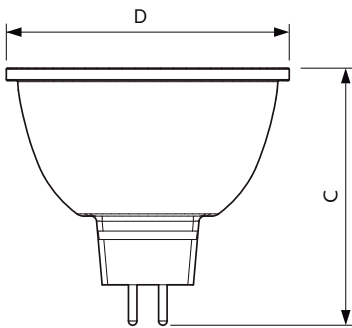
SAP numerator – quantity per pack 1

Numerator – packs per outer box 10

SAP material 929003078602

SAP net weight (piece) 0.052 kg

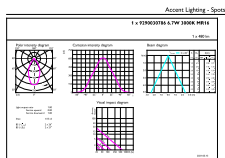
Dimensional drawing



MR16 12V 7.2-50W 480lm 60D 3000K GU5.3 D

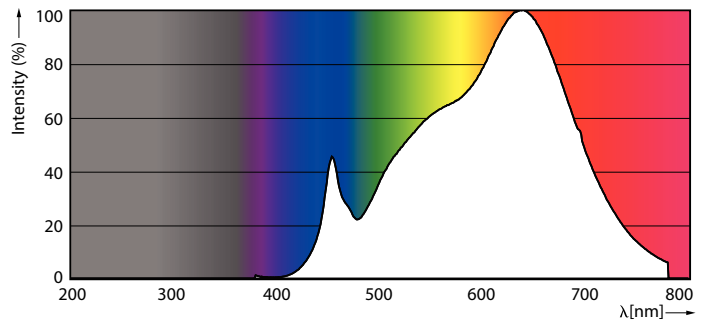
Product	D	C
MASTER LED ExpertColor 6.7-35W MR16 930 60D	50.5 mm	46 mm

Photometric data



LEDspot ExpertColor LV Page 1 of 10

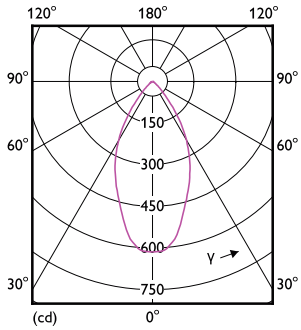
LEDspots MAS IC 6,7W MR16 GU5,3 930 60D-ADL



LEDspots MAS IC 6,7W MR16 GU5,3 930 60D-POC

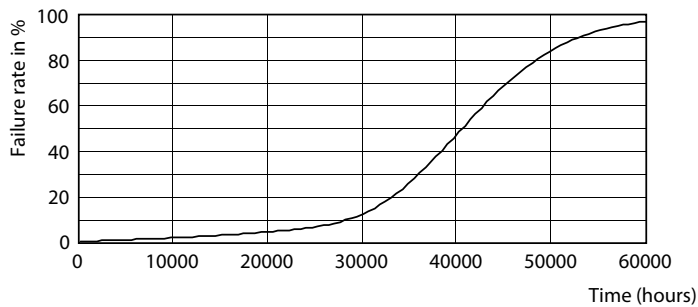
MASTER LEDspot ExpertColor LV

Photometric data



LEDspots MAS IC 6,7W MR16 GU5,3 930 60D-LDD

Lifetime



LEDspots LED 40K



LEDspots LMP 40K

