



MASTER LEDspot ExpertColor LV

MASTER LED ExpertColor 6.7-35W MR16 940 60D

MASTER LEDspot LV ExpertColor creates a warm and comfortable ambience for hospitality venues, homes and restaurants. It creates such an ambience with superior lighting that has a customised spectrum, high CRI and deep dimming feature. The result? A beautiful lighting experience. What's more, the innovative, trimless lens design will suit almost any interior decor with its clean and neat look. In addition, you can take advantage of the full ExpertColor family, which also includes LEDspot MV lamps.

Product data

General Information		Luminous flux in 90° cone (rated)	
Cap base	GU5.3 [GU5.3]		440 lm
EU RoHS compliant	Yes	Operating and Electrical	
Nominal lifetime (nom.)	40000 h	Input frequency	- Hz
Switching cycle	50,000X	Power (Rated) (Nom)	6.7 W
	Narrow Cone	Lamp current (nom.)	650 mA
Light Technical		Wattage equivalent	35 W
Colour Code	940 [CCT of 4,000 K]	Starting time (nom.)	0.5 s
Beam Angle (Nom)	60 °	Warm-up time to 60% light (nom.)	0.5 s
Luminous flux (nom.)	440 lm	Power factor (nom.)	0.7
Luminous intensity (nom.)	440 cd	Voltage (Nom)	ac electronic 12 V
Colour designation	Cool White (CW)	Temperature	
Correlated Colour Temperature (Nom)	4000 K	T-Case maximum (nom.)	92 °C
Luminous efficacy (rated) (nom.)	65.00 lm/W	Controls and Dimming	
Colour consistency	<3	Dimmable	Only with specific dimmers
Colour rendering index (nom.)	97		
LLMF at end of nominal lifetime (nom.)	70 %		

MASTER LEDspot ExpertColor LV

Mechanical and Housing

Bulb shape MR16 [2inch/50mm]

Approval and Application

Energy Efficiency Class G

Suitable for accent lighting Yes

Energy consumption kWh/1,000 hours 7 kWh

624221

Product Data

Full product code 871951435845400

Order product name MASTER LED ExpertColor 6.7-35W MR16 940 60D

EAN/UPC – product 8719514358454

Order code 35845400

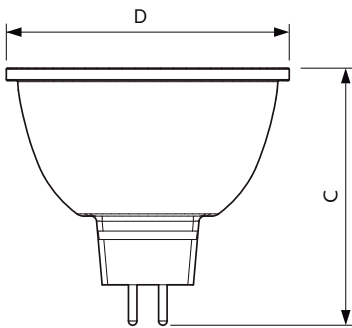
SAP numerator – quantity per pack 1

Numerator – packs per outer box 10

SAP material 929003078702

SAP net weight (piece) 0.052 kg

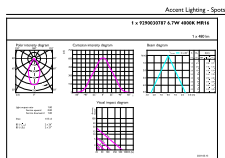
Dimensional drawing



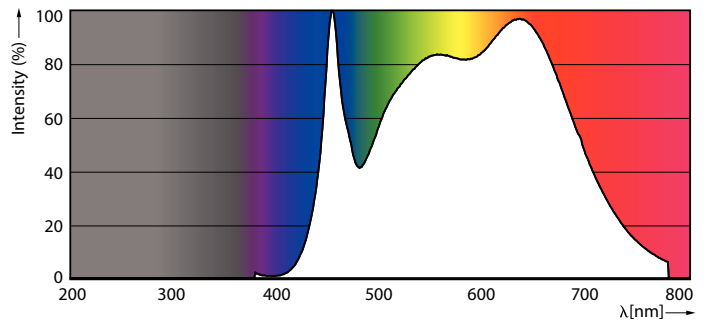
MR16 12V 7.2-50W 480lm 60D 4000K GU5.3 D

Product	D	C
MASTER LED ExpertColor 6.7-35W MR16 940 60D	50.5 mm	46 mm

Photometric data



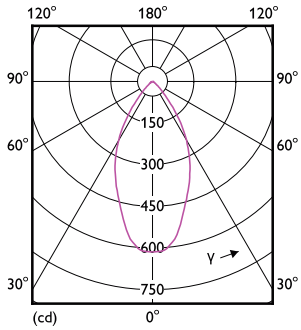
LEDspot MAS IC 6,7W MR16 GU5,3 940 60D-ADL



LEDspots MAS IC 6,7W MR16 GU5,3 940 60D-POC

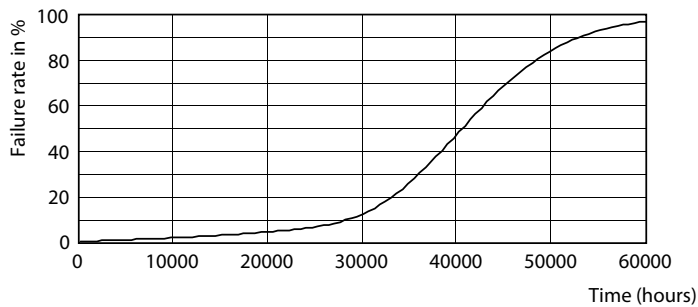
MASTER LEDspot ExpertColor LV

Photometric data



LEDspots MAS IC 6,7W MR16 GU5,3 930 60D-LDD

Lifetime



LEDspots LED 40K



LEDspots LMP 40K

