



# CorePro LEDspot LV

## CorePro LED spot ND4.4-35WMR16 827 36DUK

CorePro LEDspots are a perfect fit for spot lighting and deliver warm halogen-like light. They are compatible with most existing fixtures with MR16 GU5.3 holders and are designed as a retrofit replacement for halogen or incandescent spots. LEDlamps deliver huge energy savings and minimize maintenance cost.

### Product data

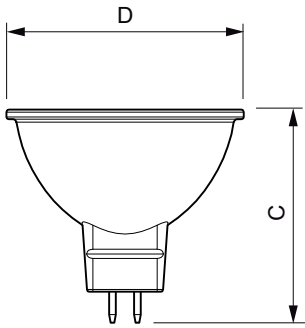
General Information		Wattage equivalent	
Cap base	GU5.3 [ GU5.3]		35 W
EU RoHS compliant	Yes	Starting time (nom.)	0.5 s
Nominal lifetime (nom.)	15000 h	Warm-up time to 60% light (nom.)	0.5 s
Switching cycle	50,000X	Power factor (nom.)	0.6
		Voltage (Nom)	ac electronic 12 V
Light Technical		Temperature	
Colour Code	827 [ CCT of 2,700 K]	T-Case maximum (nom.)	85 °C
Beam Angle (Nom)	36 °		
Luminous flux (nom.)	345 lm	Controls and Dimming	
Luminous intensity (nom.)	650 cd	Dimmable	No
Colour designation	Warm white (WW)		
Correlated Colour Temperature (Nom)	2700 K	Mechanical and Housing	
Luminous efficacy (rated) (nom.)	78.00 lm/W	Bulb shape	MR16 [ 2inch/50mm]
Colour consistency	<6		
Colour rendering index (nom.)	80	Approval and Application	
LLMF at end of nominal lifetime (nom.)	70 %	Energy Efficiency Class	F
Luminous flux in 90° cone (rated)	345 lm	Suitable for accent lighting	Yes
		Energy consumption kWh/1,000 hours	5 kWh
			421457
Operating and Electrical		Product Data	
Input frequency	- Hz	Full product code	871951430706301
Power (Rated) (Nom)	4.4 W		
Lamp current (nom.)	520 mA		

# CorePro LEDspot LV

Order product name	CorePro LED spot ND4.4-35W MR16 827 36DUK
EAN/UPC – product	8719514307063
Order code	30706301
SAP numerator – quantity per pack	1
Numerator – packs per outer box	10

SAP material	929002494699
SAP net weight (piece)	0.045 kg

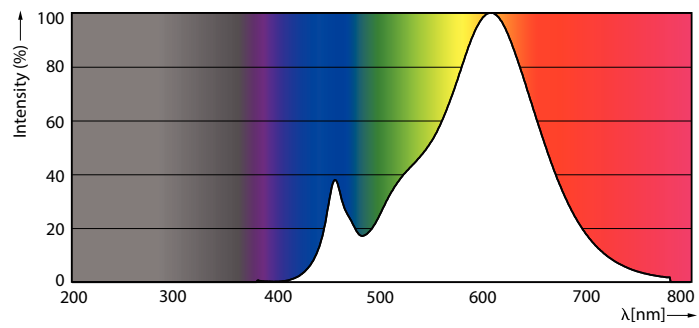
## Dimensional drawing



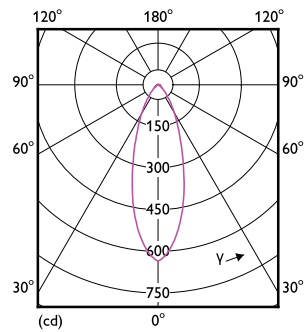
MR16 12V 4.4-35W 345lm 36D 2700K ND

Product	D	C
CorePro LED spot ND4.4-35W MR16 827 36DUK	50.5 mm	45.5 mm

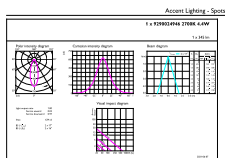
## Photometric data



LEDspots Corepro SLR 2 4,4W MR16 GU5,3 827 36D-POC



LEDspots Corepro SLR 2 4,4W MR16 GU5,3 827 36D-LDD

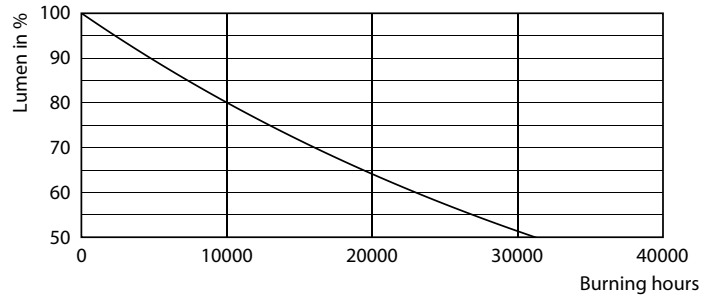


© 2021 Philips Lighting B.V. All rights reserved. Philips Lighting B.V.

LEDspots Corepro SLR 2 4,4W MR16 GU5,3 827 36D-ADL

# CorePro LEDspot LV

## Lifetime



15K LED

15K LMP

