



MASTER LEDspot ExpertColor AR111



MAS ExpertColor 14.8-75W 940 AR111 24D

The MASTER LEDspot LV ExpertColor creates a warm and comfortable ambience for hospitality venues, homes and restaurants. It creates ambience with superior lighting that has a customised spectrum, high CRI and deep dimming features. The result? A beautiful lighting experience. What's more, the innovative, trimless lens design will also suit almost any interior decor with its clean and neat look. In addition, you can take advantage of the full ExpertColor family, which also includes LEDspot LV and LEDspot Par lamps.

Product data

General Information		Luminous flux in 90° cone (rated)	
Cap base	G53 [G53]		950 lm
EU RoHS compliant	Yes	Operating and Electrical	
Nominal lifetime (nom.)	40000 h	Input frequency	50 to 60 Hz
Switching cycle	50,000X	Power (Rated) (Nom)	14.8 W
	Narrow Cone	Lamp current (nom.)	1500 mA
Light Technical		Wattage equivalent	75 W
Colour Code	940 [CCT of 4,000 K]	Starting time (nom.)	0.5 s
Beam Angle (Nom)	24 °	Warm-up time to 60% light (nom.)	0.5 s
Luminous flux (nom.)	950 lm	Power factor (nom.)	0.7
Luminous intensity (nom.)	3300 cd	Voltage (Nom)	ac electronic 12 V
Colour designation	Cool White (CW)	Temperature	
Correlated Colour Temperature (Nom)	4000 K	T-Case maximum (nom.)	85 °C
Luminous efficacy (rated) (nom.)	64.00 lm/W	Controls and Dimming	
Colour consistency	<4	Dimmable	Only with specific dimmers
Colour rendering index (nom.)	95		
LLMF at end of nominal lifetime (nom.)	70 %		

MASTER LEDspot ExpertColor AR111

Mechanical and Housing

Lamp Finish	Clear
Bulb shape	AR111

Approval and Application

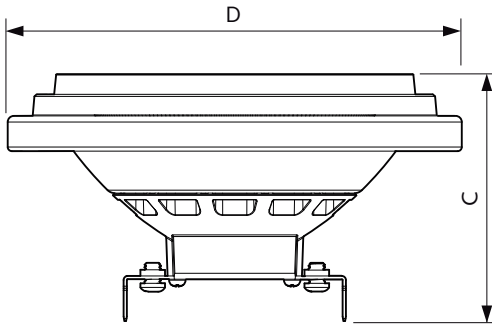
Energy Efficiency Class	G
Suitable for accent lighting	Yes
Energy consumption kWh/1,000 hours	15 kWh 648253

Product Data

Full product code	871951433387100
-------------------	-----------------

Order product name	MAS ExpertColor 14.8-75W 940 AR111 24D
EAN/UPC – product	8719514333871
Order code	33387100
SAP numerator – quantity per pack	1
Numerator – packs per outer box	6
SAP material	929003043002
SAP net weight (piece)	0.160 kg

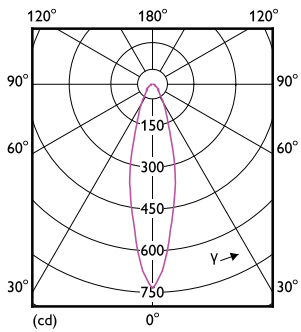
Dimensional drawing



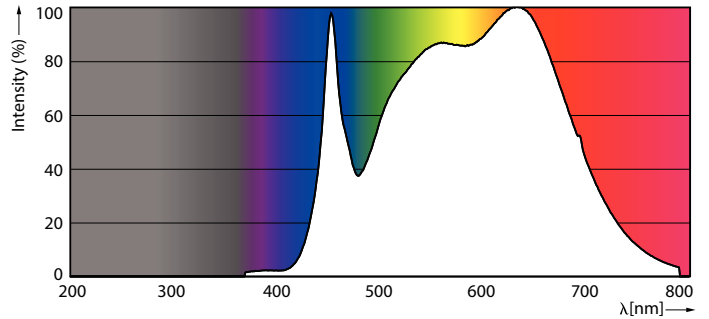
EC AR111 12V 15-75W 900lm 24D 4000K GU53

Product	D	C
MAS ExpertColor 14.8-75W 940 AR111 24D	111 mm	61 mm

Photometric data



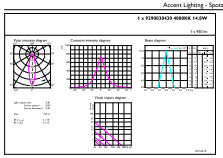
LEDspots MAS SLR 14,8W AR111 G53 940 24D-LDD LDD



LEDspots MAS SLR 14,8W AR111 G53 940 24D-POC POC

MASTER LEDspot ExpertColor AR111

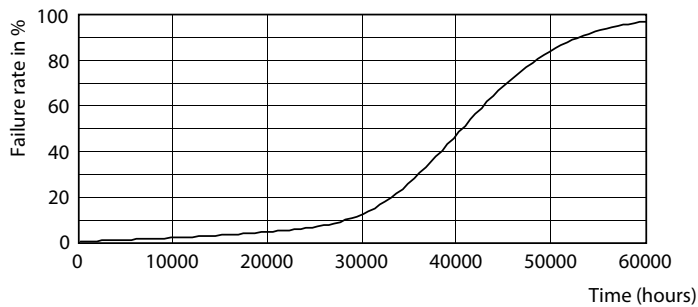
Photometric data



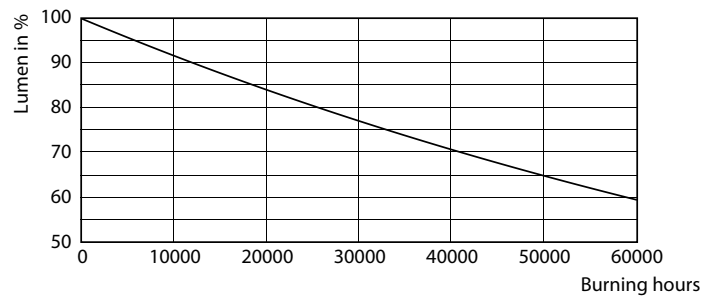
© 2021 Philips Lighting B.V. Page 11

LEDspots MAS SLR 14,8W AR111 G53 940 24D-ADL ADL

Lifetime



LEDspots LED 40K



LEDspots LMP 40K

