



MASTER LEDspot ExpertColor AR111



MAS ExpertColor 10.8-50W 927 AR111 40D

The MASTER LEDspot LV ExpertColor creates a warm and comfortable ambience for hospitality venues, homes and restaurants. It creates ambience with superior lighting that has a customised spectrum, high CRI and deep dimming features. The result? A beautiful lighting experience. What's more, the innovative, trimless lens design will also suit almost any interior decor with its clean and neat look. In addition, you can take advantage of the full ExpertColor family, which also includes LEDspot LV and LEDspot Par lamps.

Product data

General Information	
Cap base	G53 [G53]
EU RoHS compliant	Yes
Nominal lifetime (nom.)	40000 h
Switching cycle	50,000X
	Narrow Cone
Light Technical	
Colour Code	927 [CCT of 2,700 K]
Beam Angle (Nom)	40 °
Luminous flux (nom.)	600 lm
Luminous intensity (nom.)	1200 cd
Colour designation	Warm white (WW)
Correlated Colour Temperature (Nom)	2700 K
Luminous efficacy (rated) (nom.)	55,00 lm/W
Colour consistency	<4
Colour rendering index (nom.)	95
LLMF at end of nominal lifetime (nom.)	70 %

Luminous flux in 90° cone (rated)	600 lm
Operating and Electrical	
Input frequency	50 to 60 Hz
Power (Rated) (Nom)	10.8 W
Lamp current (nom.)	1000 mA
Wattage equivalent	50 W
Starting time (nom.)	0.5 s
Warm-up time to 60% light (nom.)	0.5 s
Power factor (nom.)	0.7
Voltage (Nom)	ac electronic 12 V
Temperature	
T-Case maximum (nom.)	70 °C
Controls and Dimming	
Dimmable	Only with specific dimmers

MASTER LEDspot ExpertColor AR111

Mechanical and Housing

Lamp Finish	Clear
Bulb shape	AR111

Approval and Application

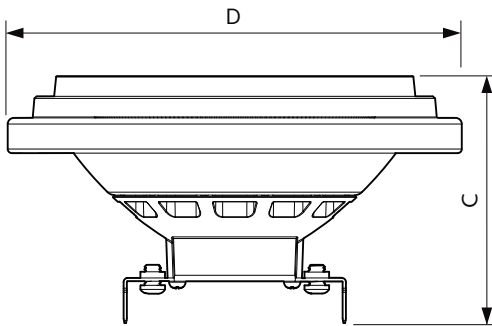
Energy Efficiency Class	G
Suitable for accent lighting	Yes
Energy consumption kWh/1,000 hours	11 kWh 648254

Product Data

Full product code	871951433395600
-------------------	-----------------

Order product name	MAS ExpertColor 10.8-50W 927 AR111 40D
EAN/UPC – product	8719514333956
Order code	33395600
SAP numerator – quantity per pack	1
Numerator – packs per outer box	6
SAP material	929003043402
SAP net weight (piece)	0.160 kg

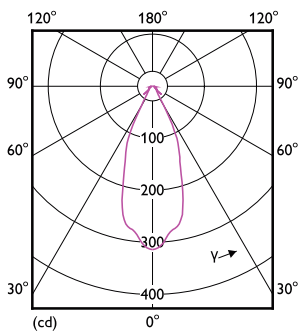
Dimensional drawing



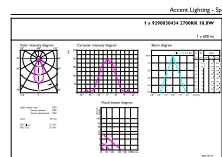
EC AR111 12V 11-50W 600lm 40D 2700K GU53

Product	D	C
MAS ExpertColor 10.8-50W 927 AR111 40D	111 mm	61 mm

Photometric data



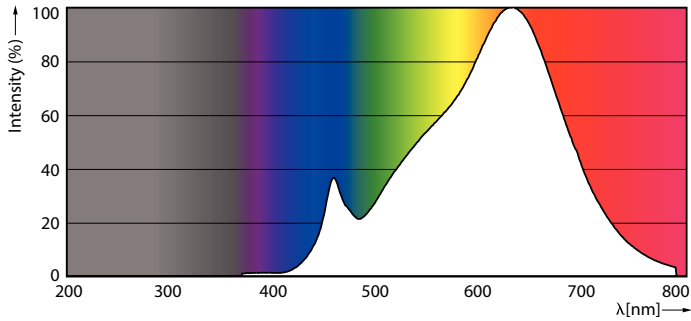
LEDspots MAS SLR 10,8W AR111 G53 927 40D-LDD LDD



LEDspots MAS SLR 10,8W AR111 G53 927 40D-ADL ADL

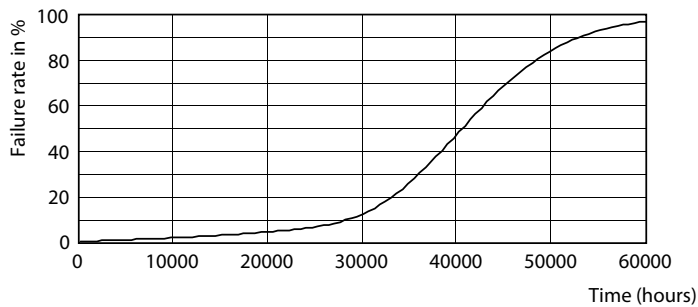
MASTER LEDspot ExpertColor AR111

Photometric data



LEDspots MAS SLR 10,8W AR111 G53 927 9D-POC POC

Lifetime



LEDspots LED 40K



LEDspots LMP 40K

