



CorePro LEDspot AR111



CorePro LEDspot 7-50W 830 AR111 40D

CorePro LEDspot AR111 are a perfect fit for spot lighting and deliver warm halogen-like light. They are compatible with most existing fixtures with a G53 base and are designed as a retrofit replacement for halogen spots. CorePro LEDspot AR111 deliver significant energy savings and minimise maintenance cost.

Product data

General Information		Operating and Electrical	
Cap base	G53 [G53]	Input frequency	- Hz
EU RoHS compliant	Yes	Power (Rated) (Nom)	7 W
Nominal lifetime (nom.)	15000 h	Lamp current (nom.)	670 mA
Switching cycle	50,000X	Wattage equivalent	50 W
	Narrow Cone	Starting time (nom.)	0.5 s
		Warm-up time to 60% light (nom.)	1 s
		Power factor (nom.)	0.7
		Voltage (Nom)	ac electronic 12 V
Light Technical		Temperature	
Colour Code	830 [CCT of 3,000 K]	T-Case maximum (nom.)	60 °C
Beam Angle (Nom)	40 °		
Luminous flux (nom.)	550 lm	Controls and Dimming	
Luminous intensity (nom.)	1100 cd	Dimmable	No
Colour designation	White (WH)	Mechanical and Housing	
Correlated Colour Temperature (Nom)	3000 K	Lamp Finish	Clear
Luminous efficacy (rated) (nom.)	78.00 lm/W	Bulb shape	AR111
Colour consistency	<6		
Colour rendering index (nom.)	>80		
LLMF at end of nominal lifetime (nom.)	70 %		
Luminous flux in 90° cone (rated)	550 lm		

CorePro LEDspot AR111

Approval and Application

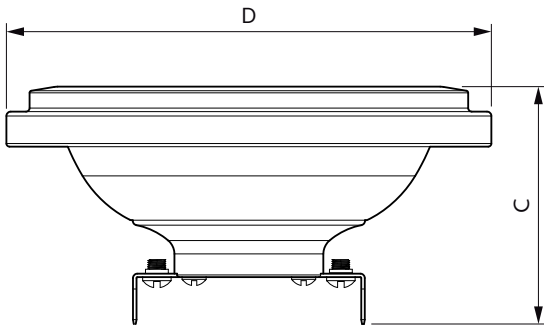
Energy Efficiency Class	F
Suitable for accent lighting	Yes
Energy consumption kWh/1,000 hours	7 kWh
	491865

Product Data

Full product code	871951430538000
Order product name	CorePro LEDspot 7-50W 830 AR111 40D

EAN/UPC – product	8719514305380
Order code	30538000
SAP numerator – quantity per pack	1
Numerator – packs per outer box	6
SAP material	929002965002
SAP net weight (piece)	0.160 kg

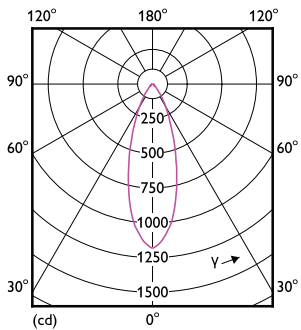
Dimensional drawing



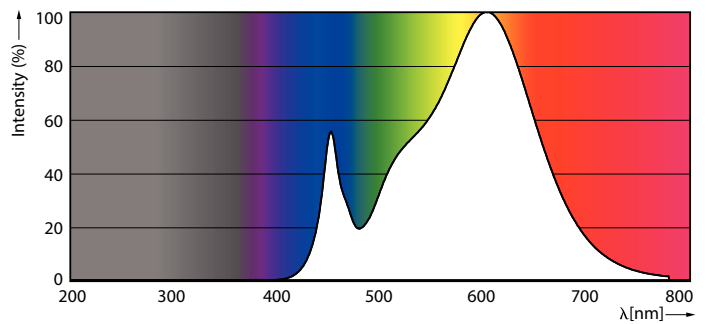
AR111 12V 10-50W 550lm 40D 3000K ND

Product	D	C
CorePro LEDspot 7-50W 830 AR111 40D	110.7 mm	55 mm

Photometric data



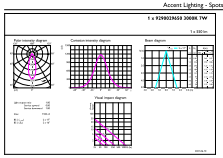
LEDspots_Corepro_7W_AR111_G53_830_40D LDD LDD



LEDspots_Corepro_7W_AR111_G53_830_40D POC POC

CorePro LEDspot AR111

Photometric data

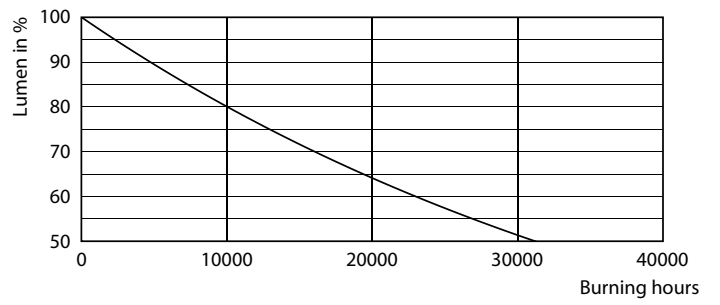


LEDspots_Corepro_7W_AR111_G53_830_40D ADL ADL

Lifetime



15K LED



15K LMP

