



# CorePro LEDspot AR111



## CorePro LEDspot 10-75W 830 AR111 40D

CorePro LEDspot AR111 are a perfect fit for spot lighting and deliver warm halogen-like light. They are compatible with most existing fixtures with a G53 base and are designed as a retrofit replacement for halogen spots. CorePro LEDspot AR111 deliver significant energy savings and minimise maintenance cost.

### Product data

General Information		Operating and Electrical	
Cap base	G53 [ G53]	Input frequency	- Hz
EU RoHS compliant	Yes	Power (Rated) (Nom)	10 W
Nominal lifetime (nom.)	15000 h	Lamp current (nom.)	920 mA
Switching cycle	50,000X	Wattage equivalent	75 W
	Narrow Cone	Starting time (nom.)	0.5 s
		Warm-up time to 60% light (nom.)	1 s
Light Technical		Power factor (nom.)	0.7
Colour Code	830 [ CCT of 3,000 K]	Voltage (Nom)	ac electronic 12 V
Beam Angle (Nom)	40 °		
Luminous flux (nom.)	800 lm	Temperature	
Luminous intensity (nom.)	1700 cd	T-Case maximum (nom.)	70 °C
Colour designation	White (WH)		
Correlated Colour Temperature (Nom)	3000 K	Controls and Dimming	
Luminous efficacy (rated) (nom.)	80.00 lm/W	Dimmable	No
Colour consistency	<6		
Colour rendering index (nom.)	>80	Mechanical and Housing	
LLMF at end of nominal lifetime (nom.)	70 %	Lamp Finish	Clear
Luminous flux in 90° cone (rated)	800 lm	Bulb shape	AR111

# CorePro LEDspot AR111

## Approval and Application

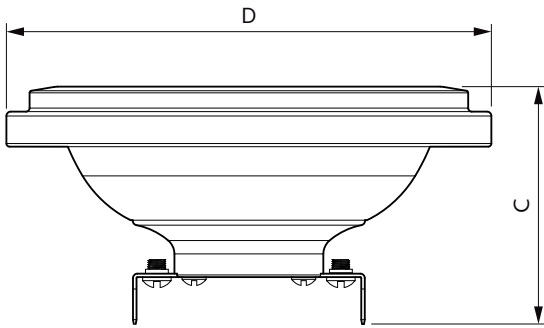
Energy Efficiency Class	F
Suitable for accent lighting	Yes
Energy consumption kWh/1,000 hours	10 kWh
	491862

## Product Data

Full product code	871951430534200
Order product name	CorePro LEDspot 10-75W 830 AR111 40D

EAN/UPC – product	8719514305342
Order code	30534200
SAP numerator – quantity per pack	1
Numerator – packs per outer box	6
SAP material	929002965102
SAP net weight (piece)	0.160 kg

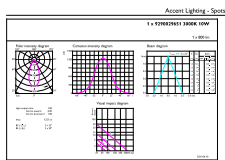
## Dimensional drawing



AR111 12V 14-75W 800lm 40D 3000K ND

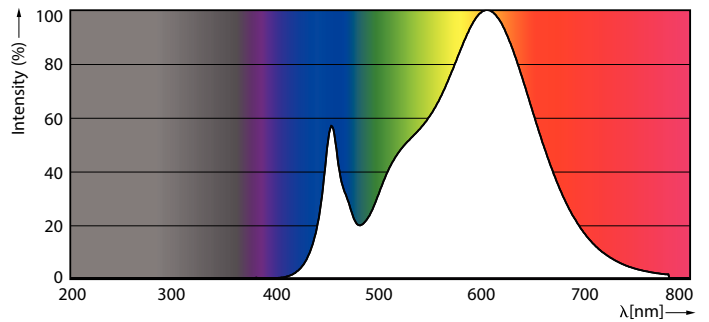
Product	D	C
CorePro LEDspot 10-75W 830 AR111 40D	110.7 mm	55 mm

## Photometric data



© 2021 Philips Lighting B.V. Page 11

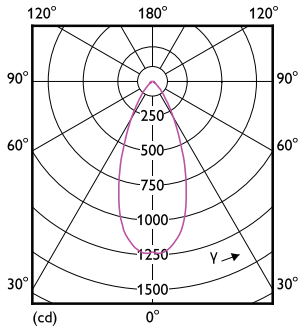
LEDspots\_Corepro\_10W\_AR111\_G53\_830\_40D ADL ADL



LEDspots\_Corepro\_10W\_AR111\_G53\_830\_40D POC POC

# CorePro LEDspot AR111

## Photometric data

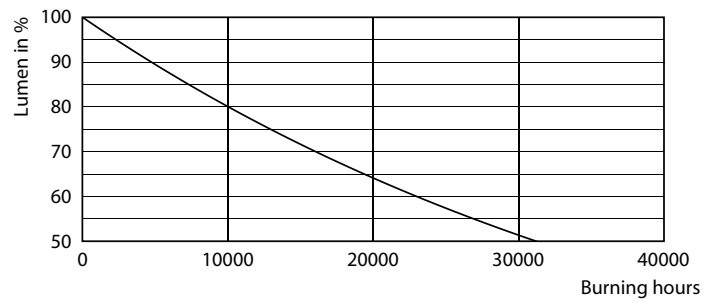


LEDspots\_Corepro\_10W\_AR111\_G53\_830\_40D LDD LDD

## Lifetime



15K LED



15K LMP

