



# CorePro LEDbulb

## CorePro LEDbulb ND 8-60W A60 E27 827 UK

LEDbulbs are compatible with existing fixtures with an E27 holder and are designed for retrofit replacement of incandescent bulbs.

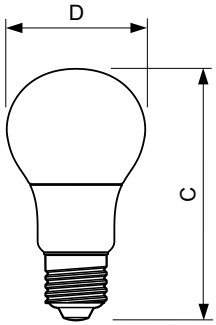
### Product data

General Information		Power factor (nom.)	
Cap base	E27 [ E27]		0.5
EU RoHS compliant	Yes	Voltage (Nom)	220-240 V
Nominal lifetime (nom.)	15000 h	<b>Temperature</b>	
Switching cycle	50,000X	T-Case maximum (nom.)	85 °C
Technical type	8-60W	<b>Controls and Dimming</b>	
<b>Light Technical</b>		Dimmable	No
Colour Code	827 [ CCT of 2,700 K]	<b>Mechanical and Housing</b>	
Beam Angle (Nom)	200 °	Lamp Finish	Frosted
Luminous flux (nom.)	806 lm	Bulb shape	A60 [ A 60mm]
Colour designation	Warm white (WW)	<b>Approval and Application</b>	
Correlated Colour Temperature (Nom)	2700 K	Energy Efficiency Class	F
Luminous efficacy (rated) (nom.)	100.00 lm/W	Energy consumption kWh/1,000 hours	8 kWh
Colour consistency	<6	<b>Product Data</b>	
Colour rendering index (nom.)	80	Full product code	871869657755401
LLMF at end of nominal lifetime (nom.)	70 %	Order product name	CorePro LEDbulb ND 8-60W A60 E27 827 UK
<b>Operating and Electrical</b>		EAN/UPC – product	8718696577554
Input frequency	50 to 60 Hz	Order code	57755401
Power (Rated) (Nom)	8 W	SAP numerator – quantity per pack	1
Lamp current (nom.)	75 mA	Numerator – packs per outer box	10
Wattage equivalent	60 W	SAP material	929001234385
Starting time (nom.)	0.5 s		
Warm-up time to 60% light (nom.)	0.5 s		

# CorePro LEDbulb

SAP net weight (piece) 0.076 kg

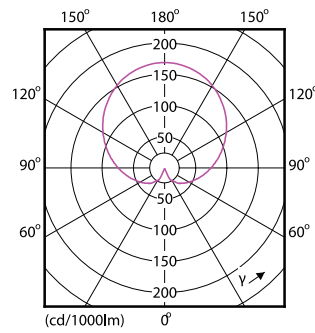
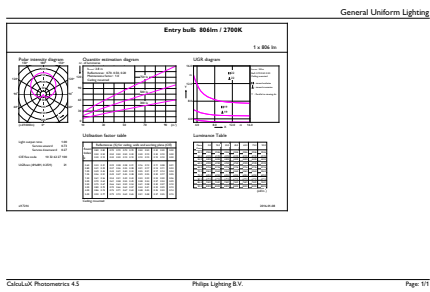
## Dimensional drawing



Entrybulb A60 230V 8W-60W 2700K E27 ND

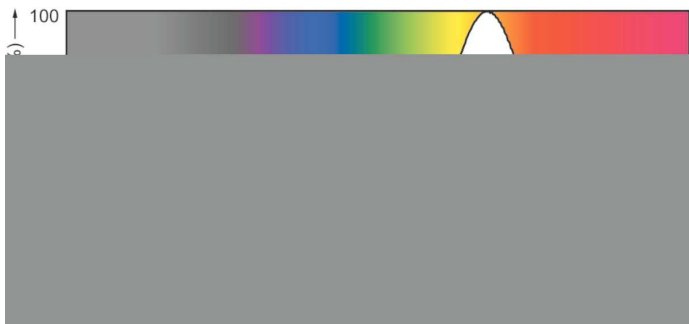
Product	D	C
CorePro LEDbulb ND 8-60W A60 E27 827 UK	60 mm	110 mm

## Photometric data



CorePro LEDbulb ND 8-60W A60

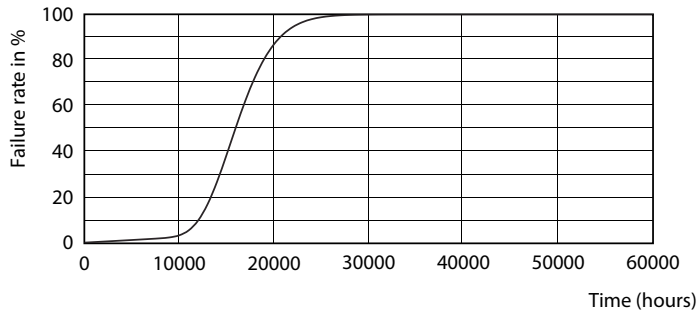
CorePro LEDbulb ND 8-60W A60



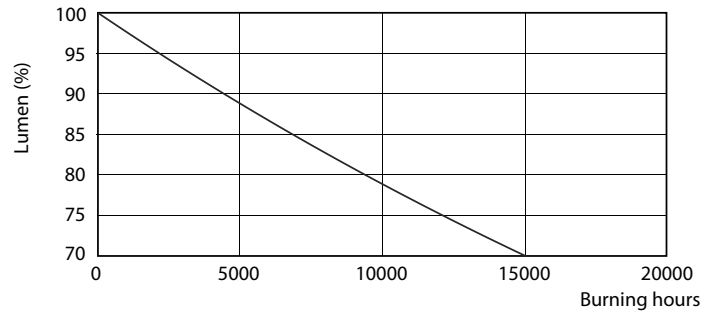
SDPO\_LED Bulb\_0021-Spectral Power distribution

# CorePro LEDbulb

## Lifetime



LEDbulb 40W E27 830 FR A60



LEDbulb 40W E27 830 FR A60

