

1-2350310-2 ✓ ACTIVE

TE Internal #: 1-2350310-2

Industrial Mini I/O Connectors, 1 x 1, Industrial Mini I/O, Plug,
Shielded, Cat 6A, Cable-to-Board / Cable-to-Cable, 8 Position, 8
Loaded Positions

[View on TE.com >](#)



Connectors > Modular Jacks & Plugs > Industrial Mini I/O Connectors



Port Matrix Configuration: **1 x 1**

Modular Jacks & Plugs Products: **Industrial Mini I/O**

Connector Contact Density: **High**

Modular Connector Style: **Plug**

Shielded: **Yes**

Features

Product Type Features

Modular Jacks & Plugs Products	Industrial Mini I/O
Modular Connector Style	Plug
Connector System	Cable-to-Board, Cable-to-Cable
Sealable	No
Connector & Contact Terminates To	Wire & Cable

Configuration Features

Port Matrix Configuration	1 x 1
Connector Contact Density	High
Number of Positions	8
Number of Loaded Positions	8
Status Indicator Type	None

Body Features

Shield Material	Stainless Steel
-----------------	-----------------

Contact Features

--	--



Contact Current Rating (Max)	.5 A
------------------------------	------

Mechanical Attachment

Mating Alignment Type	Keyed
-----------------------	-------

Mating Alignment	With
------------------	------

Connector Mounting Type	Cable Mount (Free-Hanging)
-------------------------	----------------------------

Housing Features

Housing Material	PA 4T GF30
------------------	------------

Centerline (Pitch)	1.27 mm[.05 in]
--------------------	-----------------

Usage Conditions

Operating Temperature Range	-40 – 105 °C[-40 – 221 °F]
-----------------------------	----------------------------

Operation/Application

Shielded	Yes
----------	-----

Circuit Application	Power & Signal
---------------------	----------------

Industry Standards

Performance Category	Cat 6A
----------------------	--------

Packaging Features

Packaging Quantity	60
--------------------	----

Packaging Method	Carton
------------------	--------

Other

Field Installable	yes
-------------------	-----

Product Compliance

[For compliance documentation, visit the product page on TE.com>](#)

EU RoHS Directive 2011/65/EU	Compliant
------------------------------	-----------

EU ELV Directive 2000/53/EC	Compliant
-----------------------------	-----------

China RoHS 2 Directive MIIT Order No 32, 2016	No Restricted Materials Above Threshold
---	---

EU REACH Regulation (EC) No. 1907/2006	Current ECHA Candidate List: JUL 2021 (219) Candidate List Declared Against: JUN 2020 (209) SVHC > Threshold: Not Yet Reviewed
--	---

Halogen Content	BFR/CFR/PVC Free, but Br/Cl >900 ppm in other sources.
-----------------	--

Solder Process Capability

Not reviewed for solder process capability

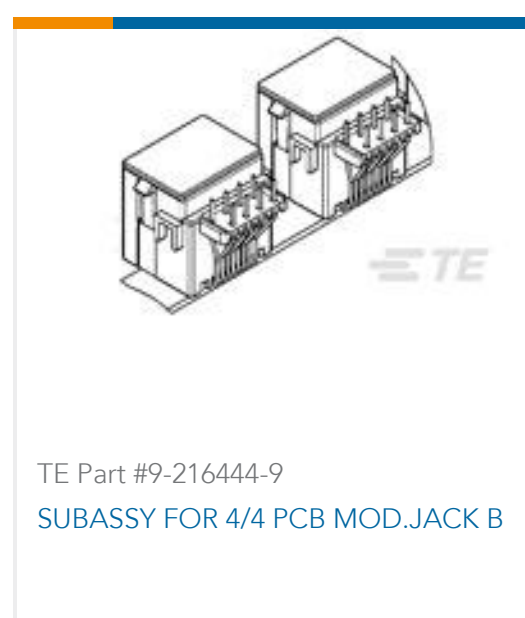
Product Compliance Disclaimer

This information is provided based on reasonable inquiry of our suppliers and represents our current actual knowledge based on the information they provided. This information is subject to change. The part numbers that TE has identified as EU RoHS compliant have a maximum concentration of 0.1% by weight in homogenous materials for lead, hexavalent chromium, mercury, PBB, PBDE, DBP, BBP, DEHP, DIBP, and 0.01% for cadmium, or qualify for an exemption to these limits as defined in the Annexes of Directive 2011/65/EU (RoHS2). Finished electrical and electronic equipment products will be CE marked as required by Directive 2011/65/EU. Components may not be CE marked. Additionally, the part numbers that TE has identified as EU ELV compliant have a maximum concentration of 0.1% by weight in homogenous materials for lead, hexavalent chromium, and mercury, and 0.01% for cadmium, or qualify for an exemption to these limits as defined in the Annexes of Directive 2000/53/EC (ELV). Regarding the REACH Regulation, the information TE provides on SVHC in articles for this part number is based on the latest European Chemicals Agency (ECHA) 'Guidance on requirements for substances in articles' posted at this URL: <https://echa.europa.eu/guidance-documents/guidance-on-reach>

Compatible Parts



Customers Also Bought



Documents

Product Drawings

MINI IO CONN Cat6A FI 4x2 AWG24/26 T II



English

CAD Files

3D PDF

3D

Customer View Model

[ENG_CVM_CVM_1-2350310-2_A.2d_dxf.zip](#)

English

Customer View Model

[ENG_CVM_CVM_1-2350310-2_A.3d_igs.zip](#)

English

Customer View Model

[ENG_CVM_CVM_1-2350310-2_A.3d_stp.zip](#)

English

By downloading the CAD file I accept and agree to the [Terms and Conditions](#) of use.

Product Specifications

Application Specification

English

Instruction Sheets

Instruction Sheet (non U.S.)

English