

2102060-1 ✓ ACTIVE

Mezalog | Mezalog HSLF

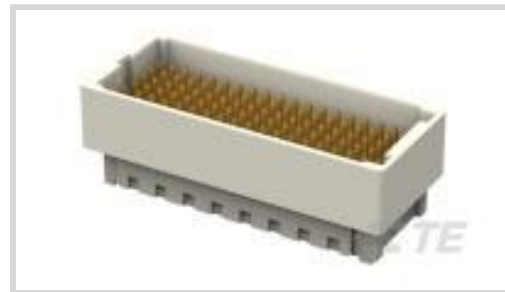
TE Internal #: 2102060-1

Mezalog HSLF, PCB Mount Header, Vertical, Board-to-Board, 114 Position, .05 in [1.27 mm] Centerline, Fully Shrouded, Gold, Surface Mount - Solder Ball

[View on TE.com >](#)



Connectors > PCB Connectors > PCB Connector Headers & Receptacles



PCB Connector Assembly Type: **PCB Mount Header**

PCB Mount Orientation: **Vertical**

Connector System: **Board-to-Board**

Number of Positions: **114**

Number of Rows: **6**

## Features

### Product Type Features

PCB Connector Assembly Type	PCB Mount Header
Connector System	Board-to-Board
Header Type	Fully Shrouded
Sealable	No
Connector & Contact Terminates To	Printed Circuit Board

### Configuration Features

Stackable	Yes
PCB Mount Orientation	Vertical
Number of Positions	114
Number of Rows	6
Board-to-Board Configuration	Parallel

### Electrical Characteristics

Dielectric Withstanding Voltage (Max)	750 VAC
Operating Voltage	250 VAC

### Body Features

Primary Product Color	Natural
-----------------------	---------

### Contact Features

Contact Layout	Matrix
----------------	--------



Mating Tab Width	.43 mm[.017 in]
Mating Tab Thickness	.46 mm[.017 in]
Contact Shape & Form	Square
Contact Mating Area Plating Material Finish	Bright
Contact Underplating Material	Nickel
PCB Contact Termination Area Plating Material	Tin-Lead
Contact Base Material	Phosphor Bronze
Contact Mating Area Plating Material	Gold
Contact Mating Area Plating Material Thickness	1.27 $\mu$ m[49.9999 $\mu$ in]
Contact Type	Pin
Contact Current Rating (Max)	1.5 A

#### Termination Features

Termination Method to Printed Circuit Board	Surface Mount - Solder Ball
---	-----------------------------

#### Mechanical Attachment

PCB Mount Alignment Type	None
PCB Mount Retention Type	Solder Ball
Mating Alignment	With
Mating Alignment Type	Polarizing Tab
PCB Mount Retention	Without
PCB Mount Alignment	Without
Connector Mounting Type	Board Mount

#### Housing Features

Mating Entry Location	Top
Centerline (Pitch)	1.27 mm[.05 in]
Housing Material	LCP (Liquid Crystal Polymer)

#### Dimensions

Connector Height	9.15 mm[.36 in]
Row-to-Row Spacing	1.27 mm[.05 in]
Stack Height	10 mm, 12 mm, 15 mm, 18 mm[.393 in]
PCB Thickness (Recommended)	2.36 mm[.093 in]

#### Usage Conditions

Operating Temperature Range	-55 – 125 °C[-67 – 257 °F]
-----------------------------	----------------------------



### Operation/Application

Assembly Process Feature	Pick and Place Cover
Circuit Application	Signal

### Industry Standards

Industry Standard	VITA 61
-------------------	---------

### Packaging Features

Packaging Quantity	230
Packaging Type	Tape & Reel

### Product Compliance

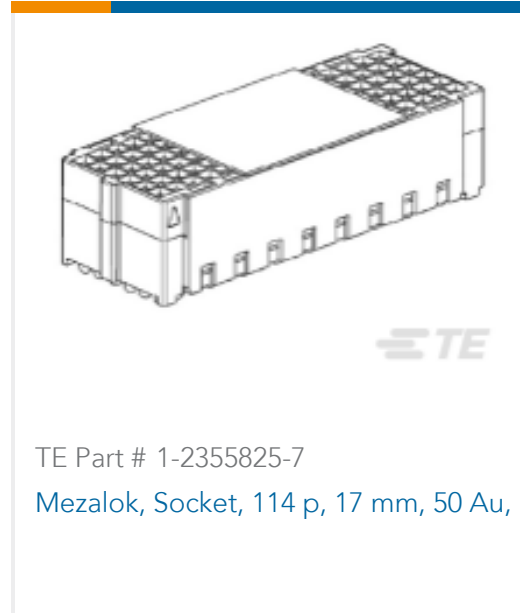
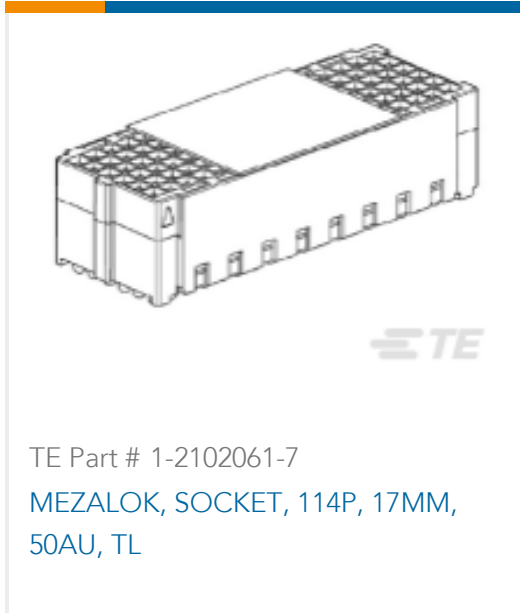
[For compliance documentation, visit the product page on TE.com>](#)

EU RoHS Directive 2011/65/EU	Not Compliant
EU ELV Directive 2000/53/EC	Not Compliant
China RoHS 2 Directive MIIT Order No 32, 2016	Restricted Materials Above Threshold
EU REACH Regulation (EC) No. 1907/2006	Current ECHA Candidate List: JUL 2021 (219) Candidate List Declared Against: JUL 2021 (219) SVHC > Threshold: Pb (4% in CONTACT PLATING) <b>Article Safe Usage Statements:</b> Do not eat, drink or smoke when using this product. Wash thoroughly after handling. Recycle if possible and dispose of the article by following all applicable governmental regulations relevant to your geographic location.
Halogen Content	Low Halogen - Br, Cl, F, I < 900 ppm per homogenous material. Also BFR/CFR/PVC Free
Solder Process Capability	Reflow solder capable to 260°C

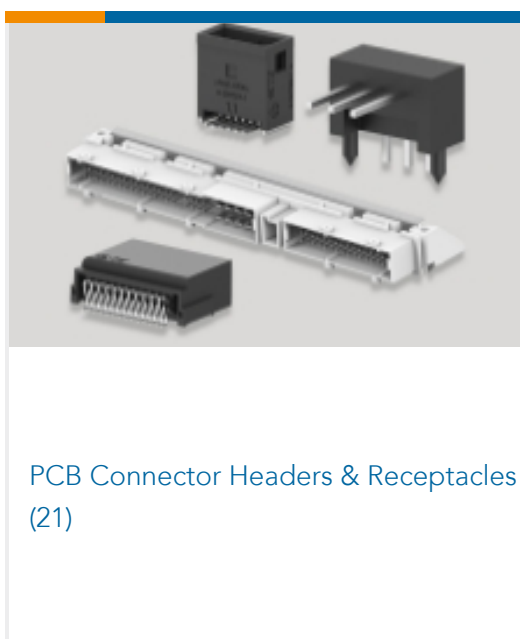
#### Product Compliance Disclaimer

This information is provided based on reasonable inquiry of our suppliers and represents our current actual knowledge based on the information they provided. This information is subject to change. The part numbers that TE has identified as EU RoHS compliant have a maximum concentration of 0.1% by weight in homogenous materials for lead, hexavalent chromium, mercury, PBB, PBDE, DBP, BBP, DEHP, DIBP, and 0.01% for cadmium, or qualify for an exemption to these limits as defined in the Annexes of Directive 2011/65/EU (RoHS2). Finished electrical and electronic equipment products will be CE marked as required by Directive 2011/65/EU. Components may not be CE marked. Additionally, the part numbers that TE has identified as EU ELV compliant have a maximum concentration of 0.1% by weight in homogenous materials for lead, hexavalent chromium, and mercury, and 0.01% for cadmium, or qualify for an exemption to these limits as defined in the Annexes of Directive 2000/53/EC (ELV). Regarding the REACH Regulation, the information TE provides on SVHC in articles for this part number is based on the latest European Chemicals Agency (ECHA) 'Guidance on requirements for substances in articles' posted at this URL: <https://echa.europa.eu/guidance-documents/guidance-on-reach>

### Compatible Parts



## Also in the Series | Mezalok HSLF



## Customers Also Bought





TE Part #2102737-1  
BP, Right End, MULTIGIG RT 2R



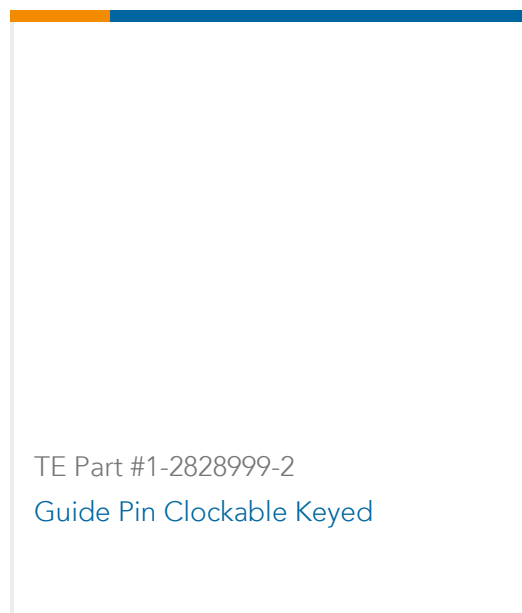
TE Part #2102771-1  
DC, 7Row, Center, MULTIGIG RT 2R



TE Part #2000974-1  
Connector Kit, Plug, Module Card, MT, V66.1



TE Part #2102061-3  
Mezalok, Socket, 114 p, 12 mm, 50 Au, TL



TE Part #1-2828999-2  
Guide Pin Clockable Keyed



TE Part #2828383-1  
CONN KIT, VITA66.4-DERIV, RCPT, DUAL-CAVITY

## Documents

### Product Drawings

[Mezalok, Pin, 114 p, 50 Au, TL](#)

English

### CAD Files

[3D PDF](#)

3D

**Customer View Model**

[ENG\\_CVM\\_CVM\\_2102060-1\\_E.2d\\_dxf.zip](#)

English

**Customer View Model**

[ENG\\_CVM\\_CVM\\_2102060-1\\_E.3d\\_igs.zip](#)

English

**Customer View Model**

[ENG\\_CVM\\_CVM\\_2102060-1\\_E.3d\\_stp.zip](#)

English

By downloading the CAD file I accept and agree to the [Terms and Conditions](#) of use.

### Datasheets & Catalog Pages

[SOSA Aligned Interconnect Solutions](#)

English

[Mezalok Connector Brochure](#)

English

### Product Specifications

[Product Specification](#)

English



[Product Environmental Compliance](#)

[TE Material Declaration](#)

English