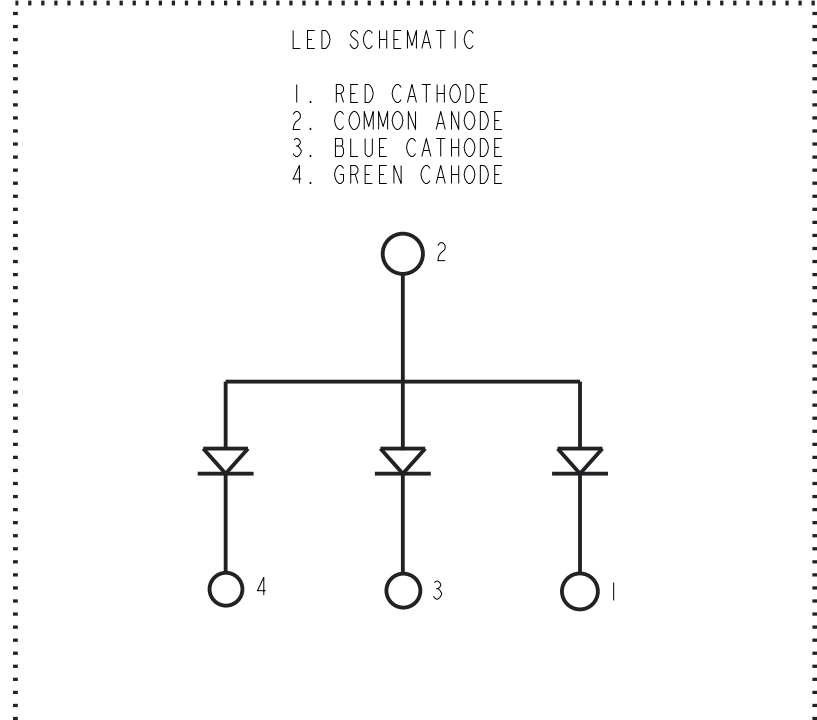
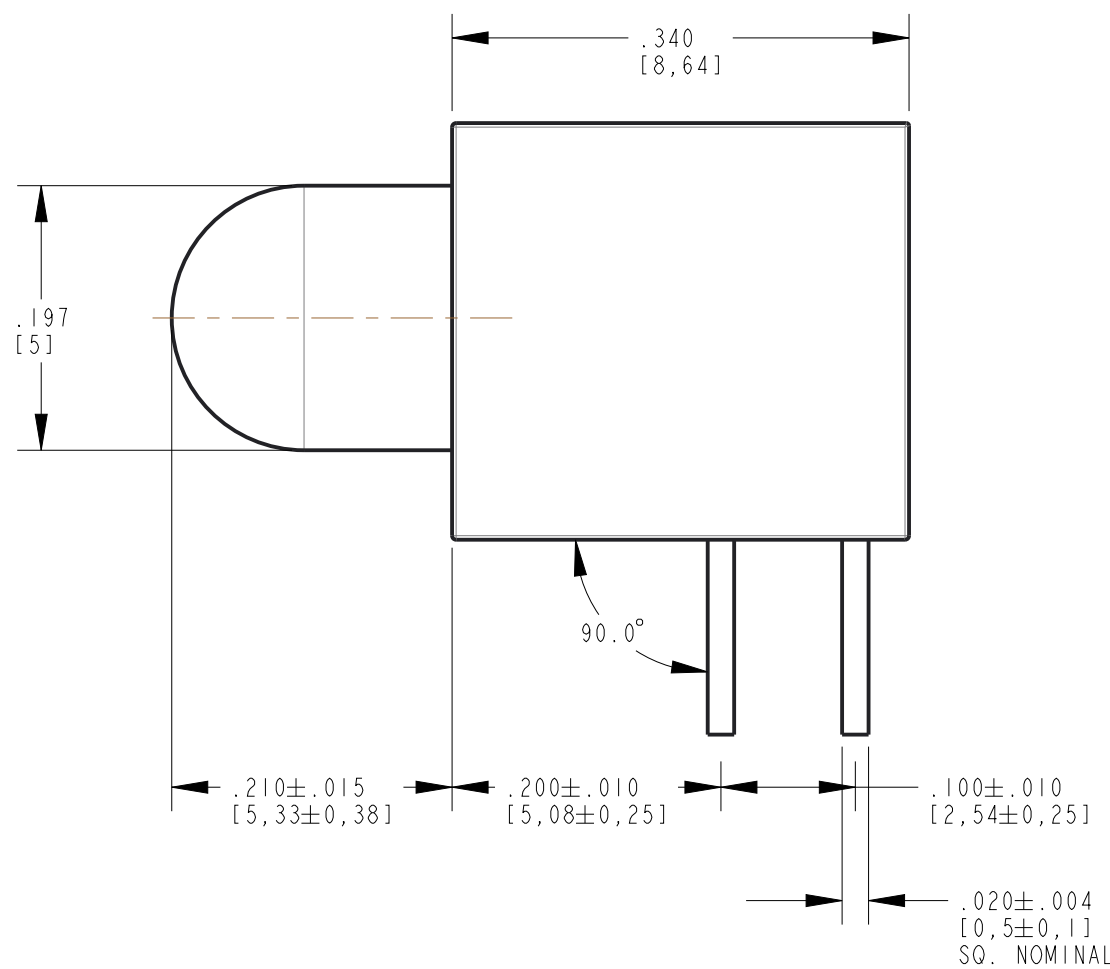
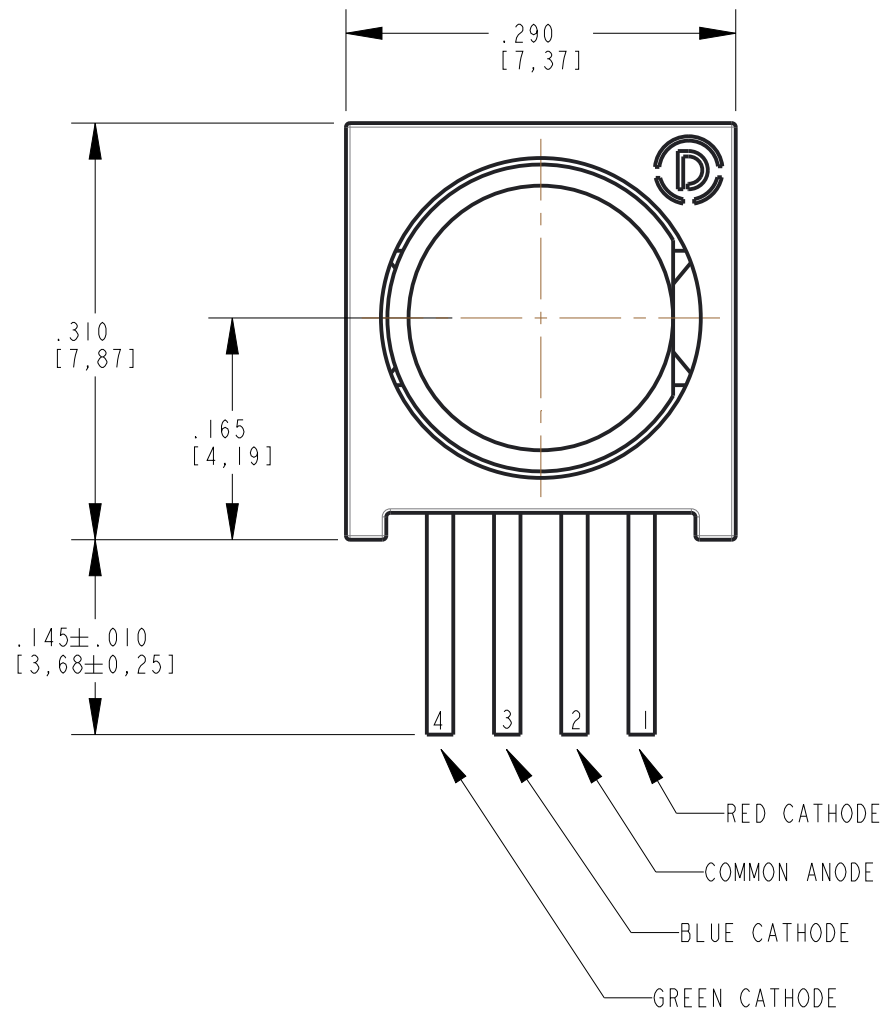


REV	REVISIONS	DRN	APP	DATE
A	NEW RELEASE	LD	NO	5-10-21
B	REVISED LED SPECS	LD	NO	12-1-21

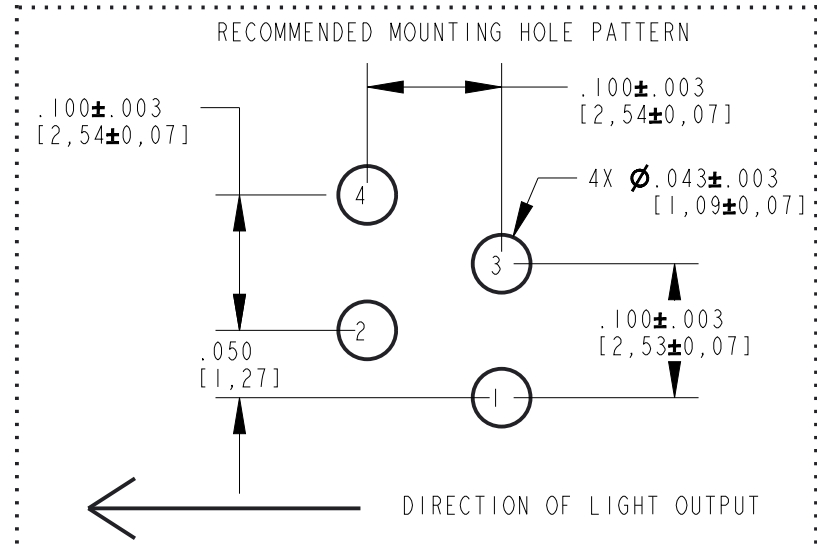
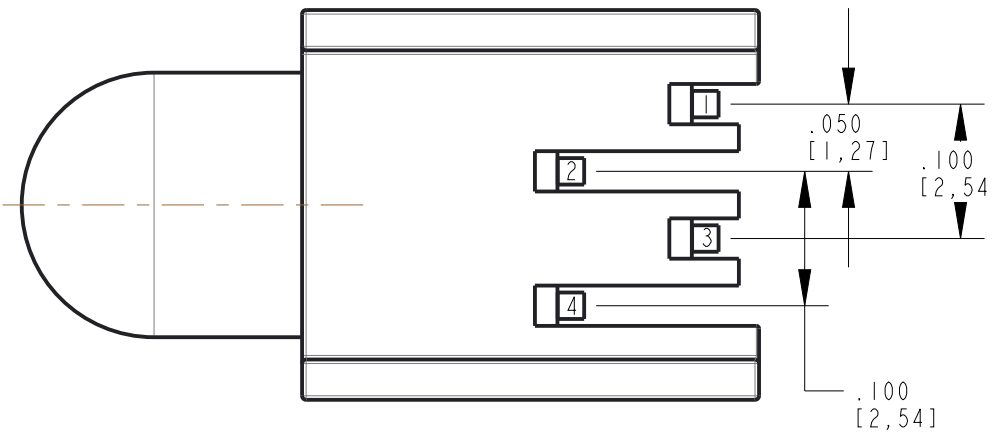


**LED OPERATING CHARACTERISTICS AT 25°C AMBIENT**

PARAMETER	SYMBOL	COLOR	MIN.	TYP.	MAX.	UNITS	TEST CONDITIONS
LUMINOUS INTENSITY	IV	RED	1900	2500	3200	mcd	I <sub>F</sub> = 20mA
		BLUE	1500	1900	2500		
		GREEN	3000	4250	6000		
PEAK EMISSION WAVELENGTH		RED		634		nm	V <sub>R</sub> = 5V
		BLUE		470			
		GREEN		525			
DOMINANT WAVELENGTH		RED	618	624	630	nm	
		BLUE	465	470	475		
		GREEN	515	525	525		
FORWARD VOLTAGE	V <sub>F</sub>	RED	1.7	2.2	2.7	V	I <sub>F</sub> = 20mA
		BLUE	2.5	3.2	3.7		
		GREEN	2.5	3.2	3.7		

**ABSOLUTE MAXIMUM RATINGS AT 25°C AMBIENT**

PARAMETERS	RED	BLUE	GREEN	UNITS
POWER DISSIPATION	80	108	108	mW
LINEAR DERATION FROM 50°C	0.57	0.57	0.57	mA/°C
FORWARD DC CURRENT	30	30	30	mA
PEAK FORWARD CURRENT (1/10 Duty Cycle, 0.1ms Pulse Width)	90	100	100	mA
OPERATING TEMPERATURE	-30 to +85			°C
STORAGE TEMPERATURE	-40 TO +100			°C
LEAD SOLDERING TEMPERATURE [2.0mm (.787") FROM BODY]	260 FOR 5 SECONDS MAX.			°C



**NOTES:**

1. DIALIGHT PART NO: 550-4013F
2. LAMP MUST BE SEATED ALL THE WAY DOWN INTO HOUSING. BENDS MUST BE TIGHT. NO LONGITUDINAL TRAVEL ALONG AXIS ALLOWED.
3. CENTER TO CENTER LEAD DIMENSIONS MEASURED AT THE HOUSING EXIT
4. THIS ASSEMBLY CONTAINS ELECTROSTATIC DISCHARGE SENSITIVE DEVICES (ESDS). MAINTAIN ALL PRECAUTIONARY MEASURES DURING ASSEMBLY, HANDLING, AND STORAGE IN ACCORDANCE WITH IPC-A-610.
5. THIS PRODUCT IS RoHS COMPLIANT, EACH BAG IS MARKED WITH RoHS COMPLIANT LABEL OR EQUIVALENT MARKINGS LED MUST BE PB FREE (RoHS COMPLIANT)
6. PIN NUMBERS ARE FOR REFERENCES ONLY AND ARE NOT INCLUDED IN THE PART

THIS DRAWING AND THE CONTENTS HEREIN ARE CONFIDENTIAL AND THE SOLE PROPERTY OF DIALIGHT CORP. REPRODUCTION OF THIS DRAWING OR CONSTRUCTION OF ANY PARTS WITHIN THIS DRAWING ARE FORBIDDEN WITHOUT THE WRITTEN CONSENT OF DIALIGHT CORP.

DIALIGHT CORP. INTERNAL REFERENCE ONLY = 3D MODEL : 5504013F-A.16

SCALE: 8.000	DRAWING NUMBER	REV
ALL DIM'S: INCH (mm)	<b>C-18516</b>	<b>B</b>
TOLERANCES: UNLESS OTHERWISE SPECIFIED	TITLE 5mm CBI BACK LIGHT RGB 4 LEADS	
FRACTIONS: ±1/64	MATERIAL SEE BOM	
DECIMALS (.XX): ±.01		
DECIMALS (.XXX): ±.005		
DECIMALS (.XXXX): ±.0005	1501 ROUTE 34 SOUTH FARMINGDALE, NJ 07727 (732) 919-3119 www.dialight.com	
ANGLES: ±1°	FSCM 83330	SHEET 1 OF 1 FAMILY TABLE: