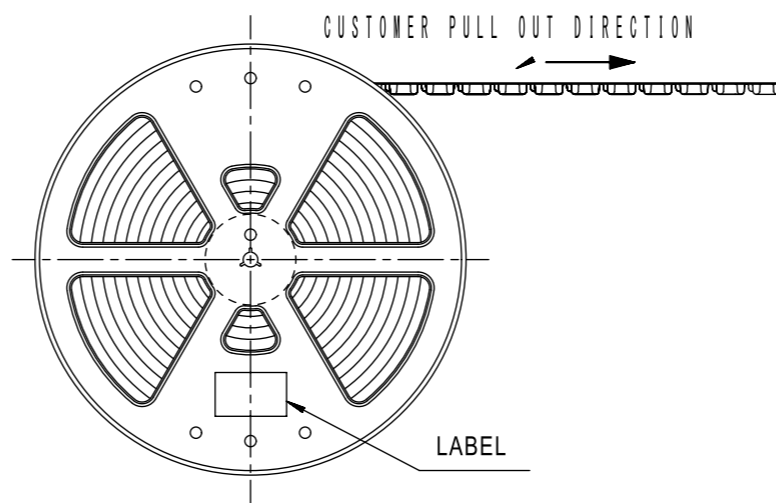
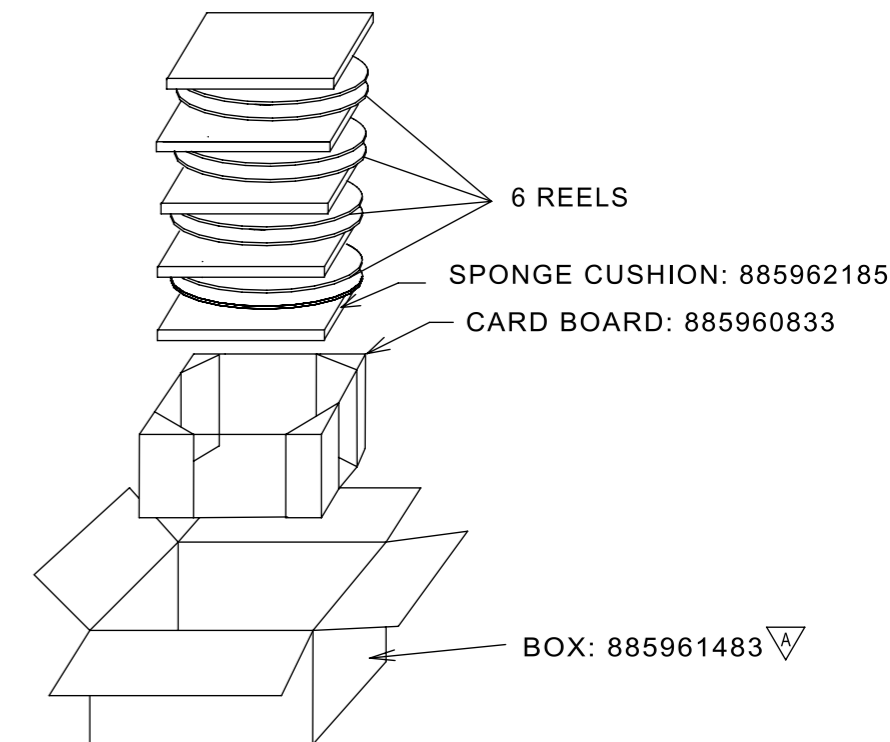
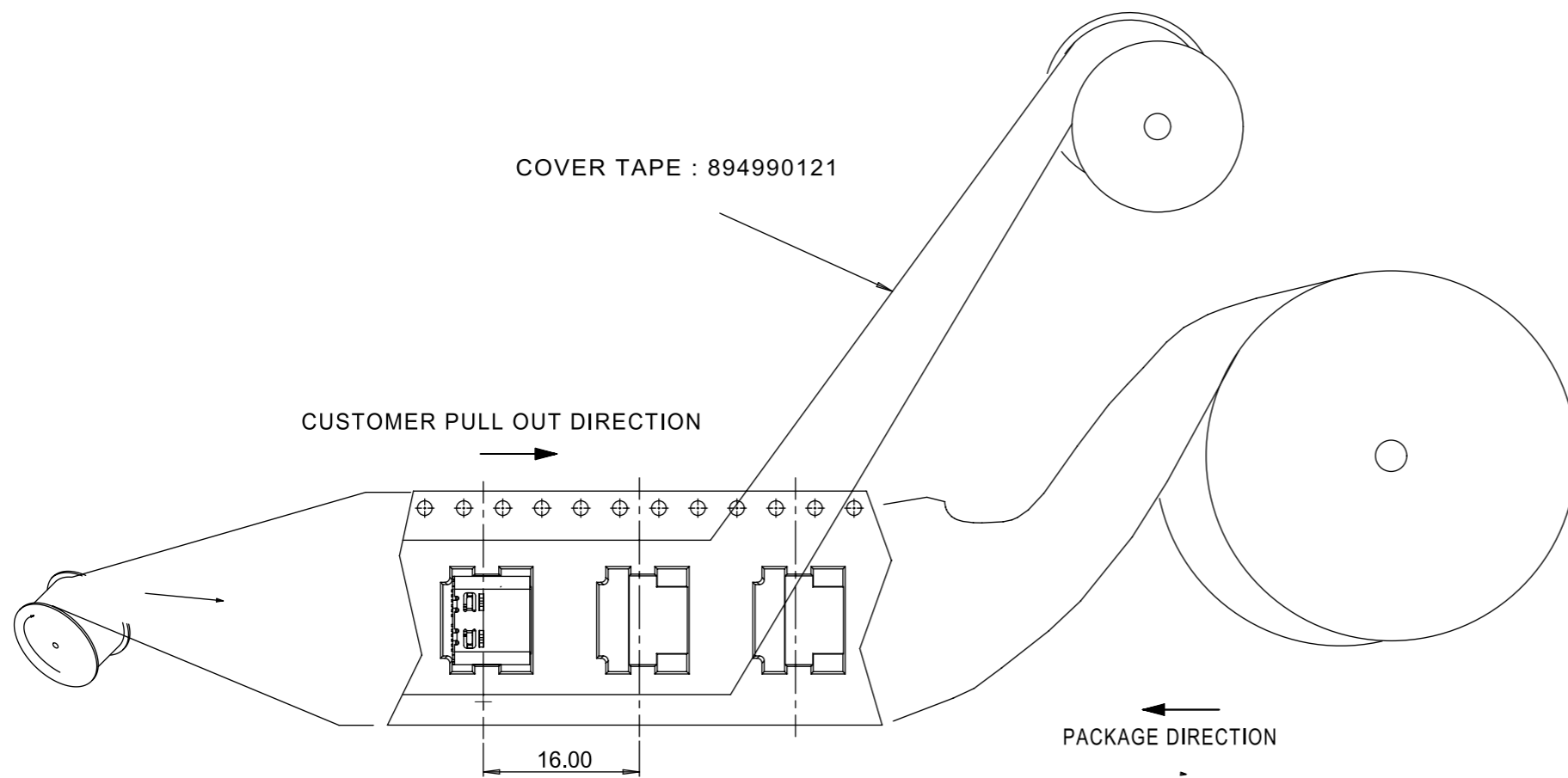


P/N	QTY/REEL	REEL/BOX	SPQ	MOQ
1054500001	1300 PCS	6	1300 PCS	7800 PCS
1054500101				
1054500201				
1054500301				
1054500111				
1054500121				

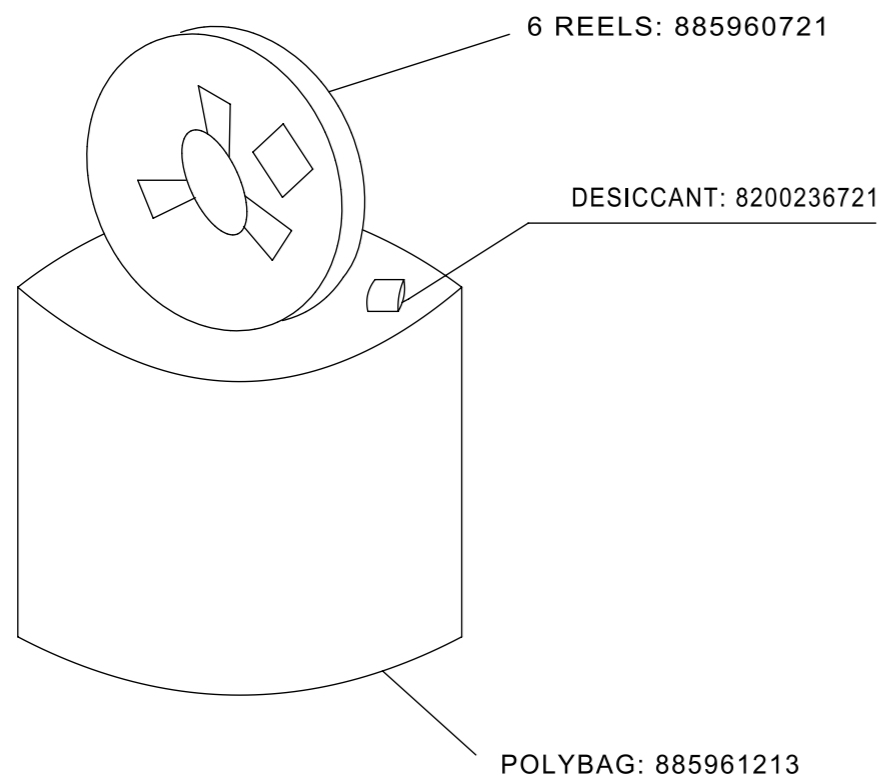
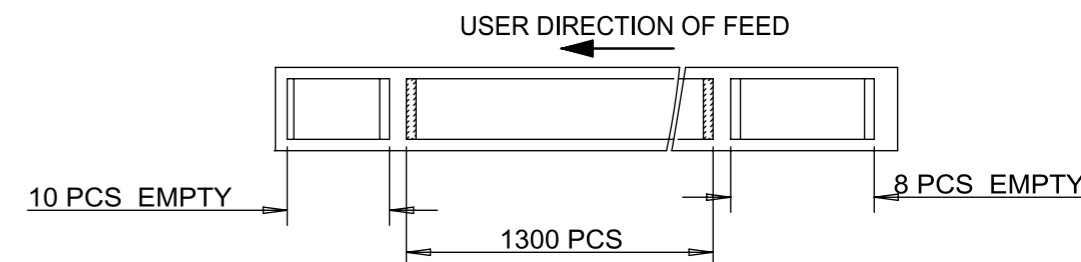


NOTES:

1. PACKING PER 15" REEL, 24mm CARRIER TAPE,
2. THE PEELING FORCE OF CARRIER TAPE :

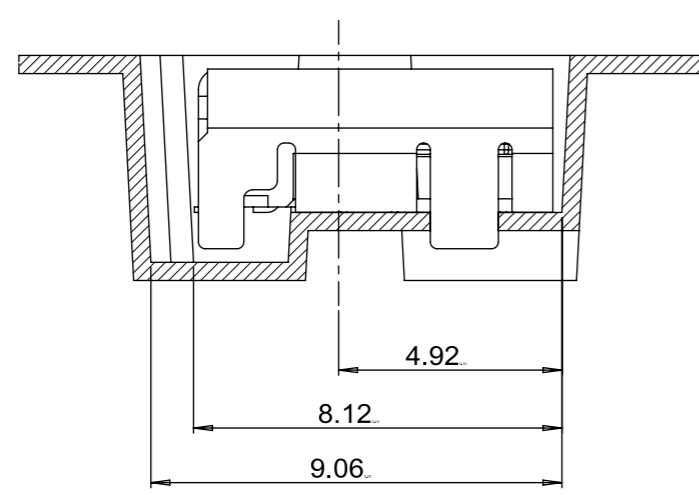
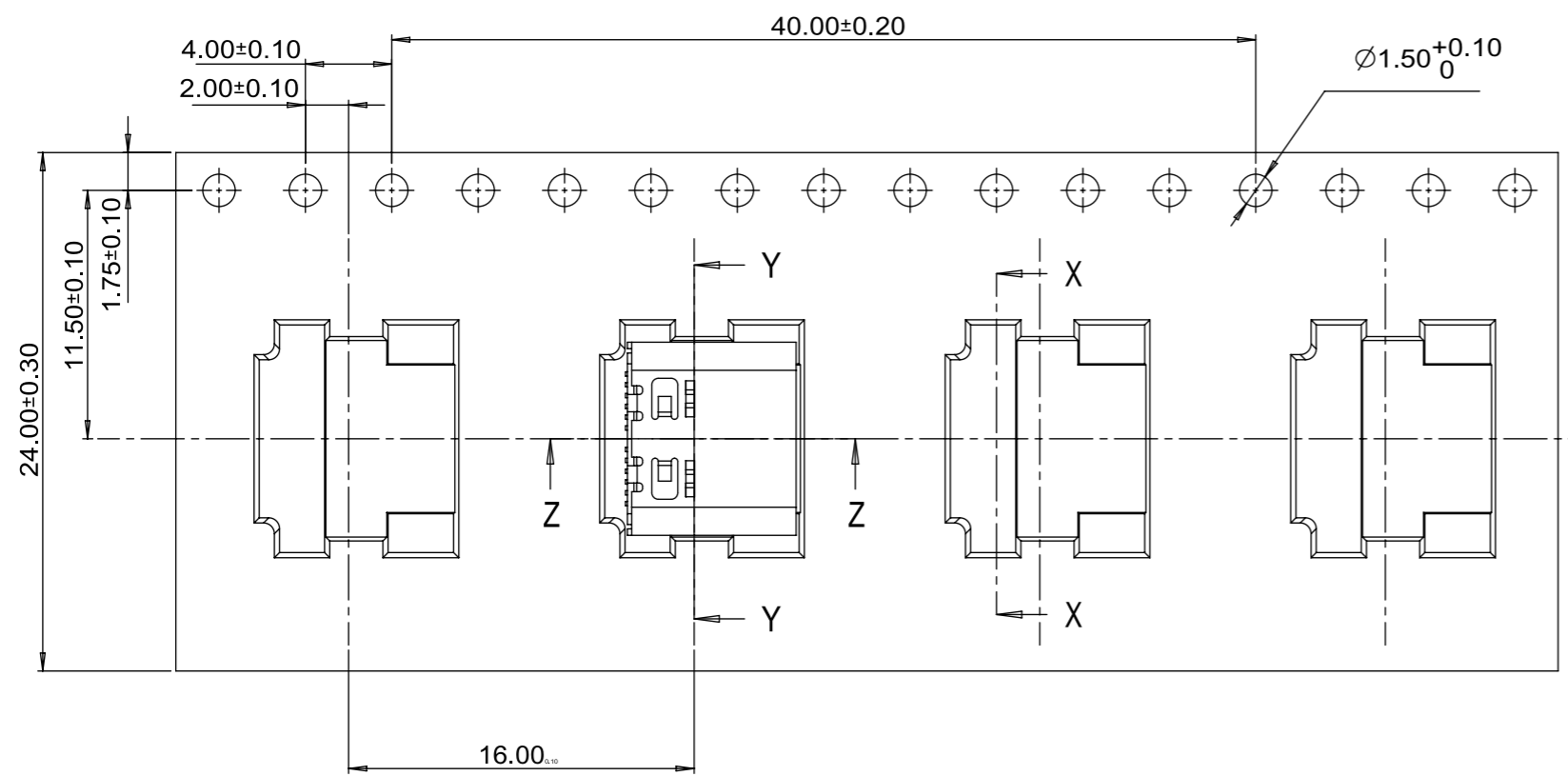


3. USER DIRECTION OF FEED:

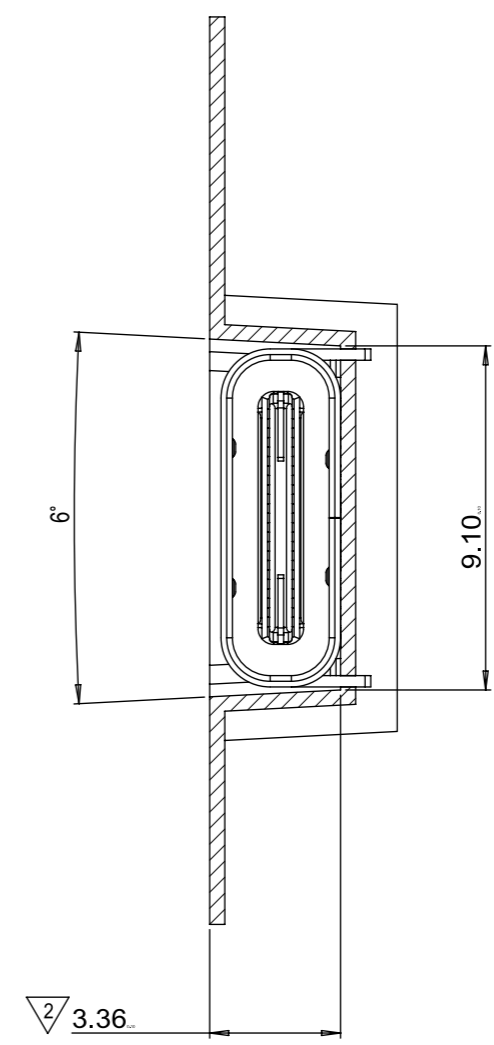


THIS DRAWING CONTAINS INFORMATION THAT IS PROPRIETARY TO MOLEX ELECTRONIC TECHNOLOGIES, LLC AND SHOULD NOT BE USED WITHOUT WRITTEN PERMISSION									
QUALITY SYMBOLS	EC NO: 115587 DRWN: RZHANG CHK'D: AYIN REV APPR: AYIN	GENERAL TOLERANCES (UNLESS SPECIFIED)		DIMENSION UNITS	SCALE				
		ANGULAR TOL ± °		mm	1:1				
▽A = 0	A REV	4 PLACES ±	DRAFT WHERE APPLICABLE MUST REMAIN WITHIN DIMENSIONS	DRWN BY	DATE	PACKAGE FOR USB C TYPE			
▽E = 0		3 PLACES ±		RZHANG	2016/05/13				
▽F = 0		2 PLACES ±		CHK'D BY	DATE	PACKAGING DESIGN DRAWING			
▽ = 0		1 PLACE ±		AYIN	2017/04/24				
▽C = 0		0 PLACES ±		APPR BY	DATE	SERIES	MATERIAL NUMBER	CUSTOMER	
▽ = 0				DRAWING SIZE	THIRD ANGLE PROJECTION	105450	SEE CHART	GENERAL MARKET	
▽ = 0		A3		DOCUMENT NUMBER	DOC TYPE	DOC PART	SHEET NUMBER		
				PK-105450-001	PDD	000	1 OF 2		

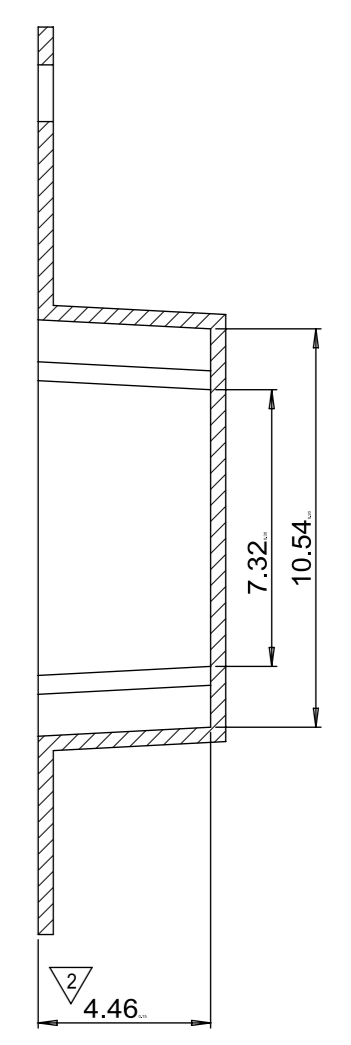
RELEASE STATUS	RELEASE DATE
----------------	--------------



SECTION Z-Z

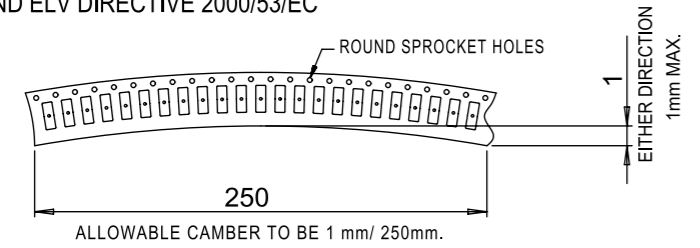


SECTION Y-Y



SECTION X-X

- NOTES:
1. MATERIAL: TRANSPARENT PS, THICKNESS IS 0.40.05
  2. 10 POKETS HOLE PITCH ACUMULATIVE TOLERANCE 0.20
  3. CAMBER IS 1MM/250MM MAX.
  4. UNSPECIFIED READIUS 0.30 MAX.
  5. UNSPECIFIED TOLERANCE FOLLOW EIA 481-D
  6. COMPLIANT TO ROHS DIRECTIVE 2011/65/EU AND ELV DIRECTIVE 2000/53/EC



THIS DRAWING CONTAINS INFORMATION THAT IS PROPRIETARY TO MOLEX ELECTRONIC TECHNOLOGIES, LLC AND SHOULD NOT BE USED WITHOUT WRITTEN PERMISSION																
QUALITY SYMBOLS	2016/05/13 2017/04/24 2017/04/24	GENERAL TOLERANCES (UNLESS SPECIFIED)		DIMENSION UNITS	SCALE											
		ANGULAR TOL ± °		mm												
FA = 0	EC NO: 115587 DRWN: RZHANG CHK'D: AYIN APPR: AYIN	4 PLACES ±	DRWN BY: RZHANG DATE: 2016/05/13 CHK'D BY: AYIN DATE: 2017/04/24 APPR BY: AYIN DATE: 2017/04/24	PACKAGE FOR USB C TYPE												
FE = 0		3 PLACES ±		PACKAGING DESIGN DRAWING												
FP = 0		2 PLACES ±		SERIES	MATERIAL NUMBER	CUSTOMER										
▼ = 0		1 PLACE ±		105450	885961357	GENERAL MARKET										
∇ = 0		0 PLACES ±		DOCUMENT NUMBER		DOC TYPE	DOC PART	SHEET NUMBER								
⊗ = 0		DRAFT WHERE APPLICABLE MUST REMAIN WITHIN DIMENSIONS		PK-105450-001		PDD	000	2 OF 2								
■ = 0	A	DRAWING SIZE: A3		THIRD ANGLE PROJECTION												
∇ = 0	REV															
<table border="1"> <tr> <td>RELEASE STATUS</td> <td>P1</td> <td>RELEASE DATE</td> <td>2017/04/24</td> <td>04:24:41</td> </tr> </table>												RELEASE STATUS	P1	RELEASE DATE	2017/04/24	04:24:41
RELEASE STATUS	P1	RELEASE DATE	2017/04/24	04:24:41												