

1. 製品名称 / PRODUCT NAME : 0.5 FFC CONN. ZIF E/OEMBOSSSED TAPE PACKAGING

製品番号 / PART NUMBER : 505110-**-92
505110-**-97

(**は極数を示す)
(** IS CIRCUITS SIZE)

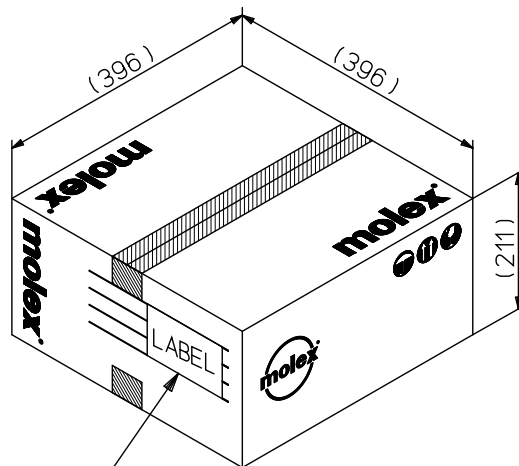
2. 標準梱包数 / STANDARD PACKAGING QUANTITY

極数 CKT. SIZE	キャリア テープ幅 (mm) CARRIER TAPE WIDTH (mm)	1 リール中の製品数 QTY. PER REEL	外装カートン SHIPPING CARTON	
			梱包リール数 NUMBER OF REELS	製品数 QUANTITY
4	16	3,000	8	24,000
5	24	3,000	6	18,000
6				
7				
8				
9				
10				
11				
12				
13				
14				
15				
16				
17				
18				
19				

REV.	B										
SHEET	1~2										
REVISE ON PC ONLY				TITLE:							
B	REVISED 106207 2016/06/29 Y.TOKUZONO			505110 梱包仕様書 SALES PACKAGING SPEC. FOR 505110							
	THIS DOCUMENT CONTAINS INFORMATION THAT IS PROPRIETARY TO MOLEX ELECTRONIC TECHNOLOGIES, LLC AND SHOULD NOT BE USED WITHOUT WRITTEN PERMISSION										
REV.	DESCRIPTION			WRITTEN BY: T.NAKAGAWA01		CHECKED BY: T.HARUYAMA		APPROVED BY: H.HIRATA		DATE: 2015/05/13	
DESIGN CONTROL J				STATUS		DOCUMENT NUMBER 5051109200		DOC. TYPE PS		DOC. PART 201	
						CUSTOMER GENERAL		SHEET 1 OF 2			

3. カートン外形参考寸法 / CARTON OUTER DIMENSIONS (REFERENCE PURPOSE ONLY)

単位 / UNIT: mm



カートンラベル
CARTON LABEL

(製品型番, 数量, ロットNO. 表示)
INDICATION OF PART No., QUANTITY, LOT No.

標準カートン
STANDARD CARTON

REVISE ON PC ONLY		TITLE:			
B	SEE SHEET 1 OF 2	505110 梱包仕様書 SALES PACKAGING SPEC. FOR 505110			
	REV.	DESCRIPTION	THIS DOCUMENT CONTAINS INFORMATION THAT IS PROPRIETARY TO MOLEX ELECTRONIC TECHNOLOGIES, LLC AND SHOULD NOT BE USED WITHOUT WRITTEN PERMISSION		
DOCUMENT NUMBER 5051109200		DOC. TYPE PS	DOC. PART 201	CUSTOMER GENERAL	SHEET 2 OF 2