

Würth Elektronik eiSos GmbH &amp; Co. KG

EMC &amp; Inductive Solutions

Max-Eyth-Straße 1 · 74638 Waldenburg · Germany

Tel. +49 (0) 79 42 945-0 · Fax +49 (0) 79 42 945-400

eiSos@we-online.de · www.we-online.de



## Product / Process Change Notification (PCN)

- Major change  
 Minor change

**PCN #:** PCN\_WCAP-ASLU\_20220121

**Affected Series:** WCAP-ASLU

**PCN Date:** January 21, 2022

**Effective Date:** April 21, 2022

### Change Category:

- Equipment / Location  
 General Data  
 Material  
 Process  
 Product Design  
 Shipping / Packaging  
 Supplier  
 Software

**Contact:** Product Management

**Phone:** +49 (0) 7942 - 945 5001

**Fax:** +49 (0) 7942 - 945 5179

**E-Mail:** pcn.eisos@we-online.com

### Data Sheet Change:

Yes  No

### Attachment:

Yes  No

### DESCRIPTION AND PURPOSE OF CHANGE:

Because of a database mismatch, Würth Elektronik will update all datasheets for the matchcode WCAP-ASLU

The component Marking will be changed to the current state of art.

### DETAIL OF CHANGE:

#### Datasheet Update

Würth Elektronik will update the datasheet layout in general for all WCAP-ASLU datasheets. Furthermore with this layout update Würth Elektronik will correct the electrical and mechanical characteristics.

All corrections in terms of electrical characteristics are shown below. They will also be clearly visible in the new datasheets which Würth Elektronik will provide on the website shortly.

(This is a datasheet correction only. There will be no change in form, fit, function, quality or reliability of the product.)

- An Example of the old and new drawings are shown below in order to visualize the corrections of the dimensions. Würth Elektronik will update the dimensioning from indirect dimensioning to direct dimensioning.

Würth Elektronik eiSos GmbH & Co. KG

EMC & Inductive Solutions

Max-Eyth-Straße 1 · 74638 Waldenburg · Germany

Tel. +49 (0) 79 42 945-0 · Fax +49 (0) 79 42 945-400

eiSos@we-online.de · www.we-online.de



**A Dimensions: [mm]**

L max.	5.5		
D ±0.5	4.0		
A ±0.2	4.3		
B ±0.2	4.3		
C max.	0.15		
W ±0.1	0.65	a	1.0
E ±0.05	0.35	b	2.6
P ±0.2	1.0	c	1.6

**B Recommended hole pattern: [mm]**

**C Schematic:**

1.0	2014-11-11	SP	PSL	
REV	DATE	BY	CHECKED	

Projection

Würth Elektronik eiSos GmbH & Co. KG  
 EMC & Inductive Solutions  
 Max-Eyth-Str. 1  
 74638 Waldenburg  
 Germany  
 Tel. +49 (0) 79 42 945 - 0  
 www.we-online.com  
 eiSos@we-online.com

Example old Drawings with indirect dimensioning

Scale - 5:1

Example new drawings with direct dimensioning

In the course of the update from indirect to direct dimensioning the values for the dimensions and tolerances will be updated. The upcoming corrections can be seen more detailed in the pictures above.

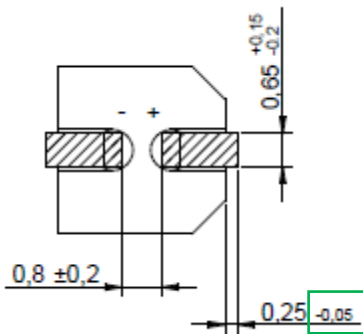
Würth Elektronik eiSos GmbH & Co. KG  
EMC & Inductive Solutions

Max-Eyth-Straße 1 · 74638 Waldenburg · Germany  
Tel. +49(0)79 42 945-0 · Fax +49(0)79 42 945-400  
eiSos@we-online.de · www.we-online.de

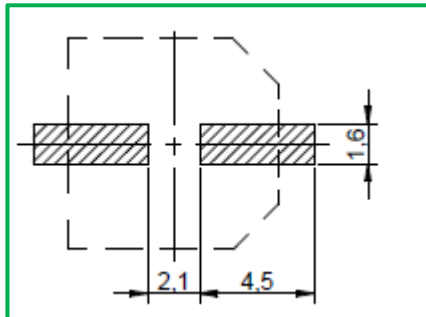


- Würth Elektronik will update the Tolerance of the following value to “- 0.05 mm“ for the following part numbers:

865090268009	865090368008	865090468010	865090468011	865090668014
865090668015	865090668016	865090768002	865090768003	865090768004
865090168010	865090768005			



- Würth Elektronik will update the values for the recommended land pattern of 865090749001:



- Due to a data mismatch Würth Elektronik will update the dimensions of former “C” and tolerance of former “W” for the entire matchcode.
- Würth Elektronik will update the **Surge Voltage** to “7.25 V(DC)” for 865090168010
- Würth Elektronik will update the **Test conditions** for the **Ripple Current** from 100 kHz @85°C to 120 Hz @85°C for all WCAP-ASLU products.
- Würth Elektronik will update the display of the Packaging Specification for all parts of WCAP-ASLU in the datasheets. For details please refer to the new datasheets. Due to a data mismatch Würth Elektronik will update the dimensions of former “C” and tolerance of former “W” for the entire matchcode.
- Würth Elektronik will update the general Cautions and Warnings. Please refer to the datasheet for detailed information.

Würth Elektronik eiSos GmbH & Co. KG

EMC & Inductive Solutions

Max-Eyth-Straße 1 · 74638 Waldenburg · Germany

Tel. +49 (0) 79 42 945-0 · Fax +49 (0) 79 42 945-400

eiSos@we-online.de · www.we-online.de



## Product Marking

Due to internal standardization the printing of the match code WCAP-ASLU will be updated. Products after applied change with effective date of week 37 from 2020 can be shipped with new printing.

The product marking will change in the following points:

- The first line remains the same. It shows capacitance.
- The second line will now show the match code and the datecode(YWW).
- The third line will show the rated voltage.



*Example of new Marking*

## RELIABILITY / QUALIFICATION SUMMARY:

There will be no change of the product, therefore, no additional reliability or qualification testing will be performed.