



Connectors > Circular Connectors > Circular Connector Accessories > Circular Connector Seals > CPC SEALED ACCESSORIES



Connector Seal Type: **Cable Seal**

Accepts Cable Diameter Range: 7.62 – 11.43 mm [.3 – .45 in]

Operating Temperature Range: -55 – 105 °C [-67 – 221 °F]

[All CPC SEALED ACCESSORIES \(5\)](#)

Features

Product Type Features

Connector Seal Type	Cable Seal
---------------------	------------

Body Features

Peripheral Seal Color	Gray
Color	Black

Dimensions

Accepts Cable Diameter Range	7.62 – 11.43 mm [.3 – .45 in]
------------------------------	-------------------------------

Usage Conditions

Operating Temperature Range	-55 – 105 °C[-67 – 221 °F]
-----------------------------	----------------------------

Packaging Features

Packaging Quantity	1
Packaging Method	Bag

Product Compliance

[For compliance documentation, visit the product page on TE.com>](#)

EU RoHS Directive 2011/65/EU	Compliant
EU ELV Directive 2000/53/EC	Compliant
China RoHS 2 Directive MIIT Order No 32, 2016	No Restricted Materials Above Threshold
EU REACH Regulation (EC) No. 1907/2006	Current ECHA Candidate List: JUL 2021 (219)

Candidate List Declared Against: JUL 2019
(201)
SVHC > Threshold:
Not Yet Reviewed

Halogen Content

Not Yet Reviewed for halogen content

Solder Process Capability

Not applicable for solder process capability

Product Compliance Disclaimer

This information is provided based on reasonable inquiry of our suppliers and represents our current actual knowledge based on the information they provided. This information is subject to change. The part numbers that TE has identified as EU RoHS compliant have a maximum concentration of 0.1% by weight in homogenous materials for lead, hexavalent chromium, mercury, PBB, PBDE, DBP, BBP, DEHP, DIBP, and 0.01% for cadmium, or qualify for an exemption to these limits as defined in the Annexes of Directive 2011/65/EU (RoHS2). Finished electrical and electronic equipment products will be CE marked as required by Directive 2011/65/EU. Components may not be CE marked. Additionally, the part numbers that TE has identified as EU ELV compliant have a maximum concentration of 0.1% by weight in homogenous materials for lead, hexavalent chromium, and mercury, and 0.01% for cadmium, or qualify for an exemption to these limits as defined in the Annexes of Directive 2000/53/EC (ELV). Regarding the REACH Regulation, the information TE provides on SVHC in articles for this part number is based on the latest European Chemicals Agency (ECHA) 'Guidance on requirements for substances in articles' posted at this URL: <https://echa.europa.eu/guidance-documents/guidance-on-reach>

Compatible Parts



TE Part # CAT-AM71-C83998Y
CPC SERIES 1 SEALED ONE-PIECE



TE Part # CAT-AM71-C83998K
CPC SERIES 6



TE Part # CAT-AM71-C83998Z
CPC SEALING KITS/ACCESSORIES



TE Part # 206838-3
CPC RECPT SEALED SIZE 23-24

Also in the Series | AMP CPC



Circular Connector Adapters(7)



Circular Connector Boots & Strain Relief(6)



Circular Connector Caps & Covers(16)



Circular Connector Hardware(3)



Circular Connector Keying Plugs(2)



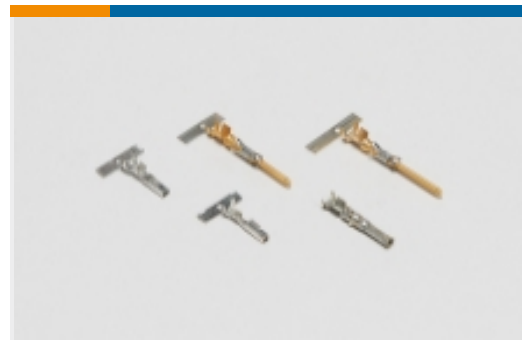
Circular Connector Seals(36)



Circular Power Connectors(511)



Insertion & Extraction Tools(1)



Power Contacts(6)

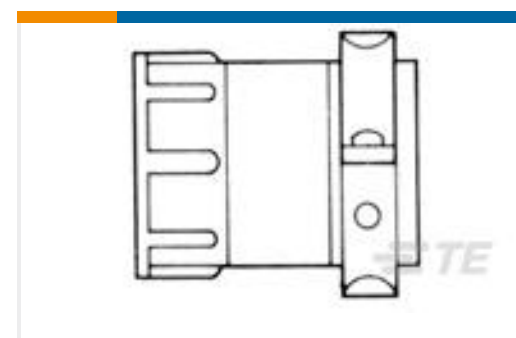


Sealing Sleeves(2)



Unscreened Circular Connector Backshells & Clamps(56)

Customers Also Bought

TE Part #206838-1
23-24 RECEPTTE Part #206837-1
CPC PLUG ASSEMBLY SIZE 23-24TE Part #1-66099-5
TYPE III CONTACTS LPTE Part #206512-5
CLAMP,CABLE SHELL,SIZE 23TE Part #5555164-1
MJ,LPF,R/A,8P,TRAYTE Part #1-480318-0
02P CMNL PLUG HSG F/H NATLTE Part #2329389-5
PB OFF/ON FC BLK M1 TERM BLU
LED IP68 50TE Part #170121-4
M-N-L SKT

Documents

Product Drawings

[SZ23 UNASSM KIT,CPC](#)

English

CAD Files

Customer View Model

[ENG_CVM_207052-1_E.2d_dxf.zip](#)

English

Customer View Model



[ENG_CVM_207052-1_E.3d_igs.zip](#)

English

Customer View Model

[ENG_CVM_207052-1_E.3d_stp.zip](#)

English

3D PDF

English

By downloading the CAD file I accept and agree to the [Terms and Conditions](#) of use.

Datasheets & Catalog Pages

[AMP Circular Connectors for Commercial Signal & Power Applications Continued](#)

English

Product Specifications

[Application Specification](#)

English

Instruction Sheets

[Instruction Sheet \(U.S.\)](#)

English

Agency Approvals

[CSA Certificate](#)

English